

PANEL GLASS HEATER

Product Instructions

Product No. 2000249.1

vonhaus

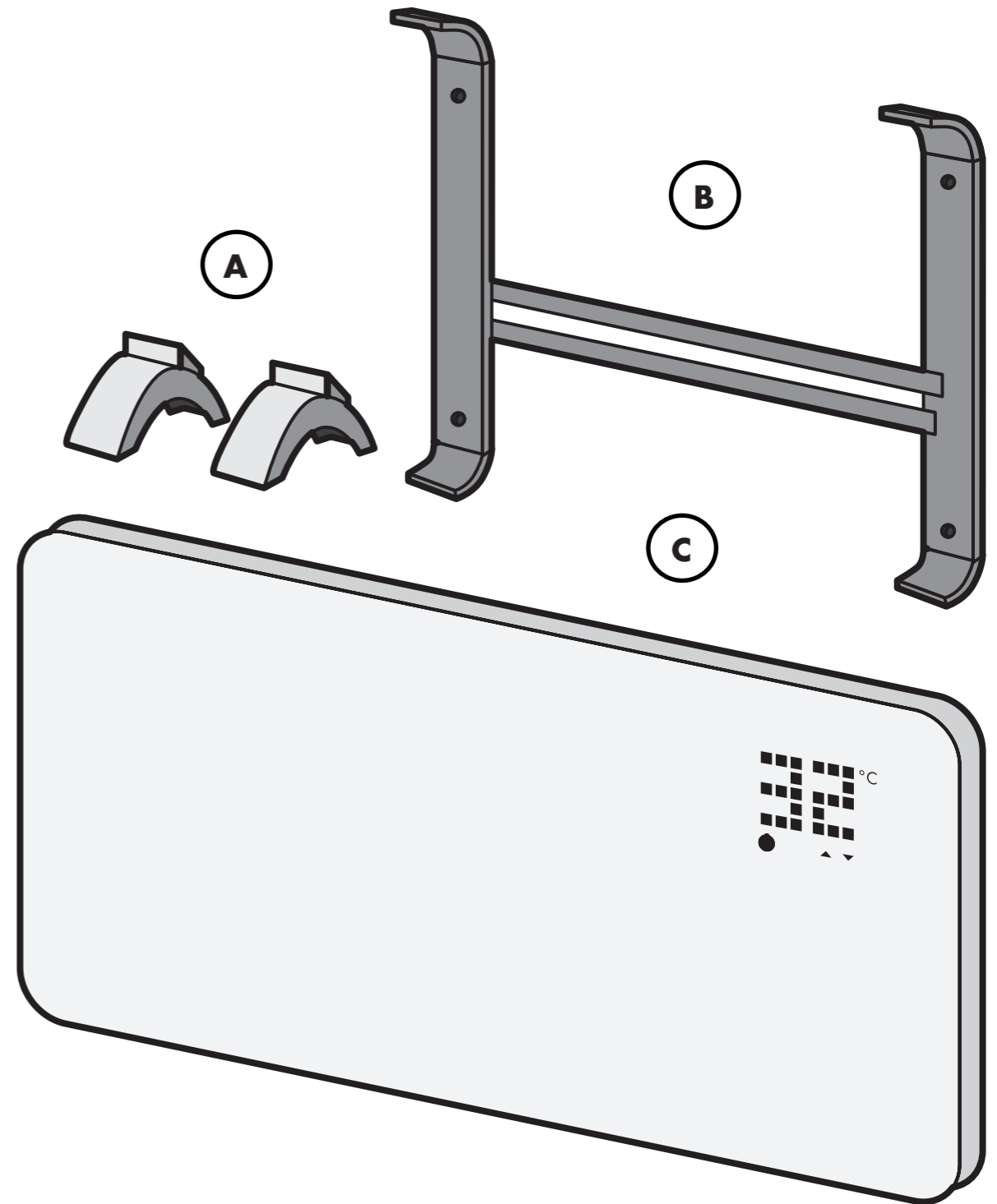
Let's get started!

Visit our product hub for useful tips and tricks on getting the most out of your new product.

SCAN ME



Product Diagram



A. Stands

B. Wall Mount

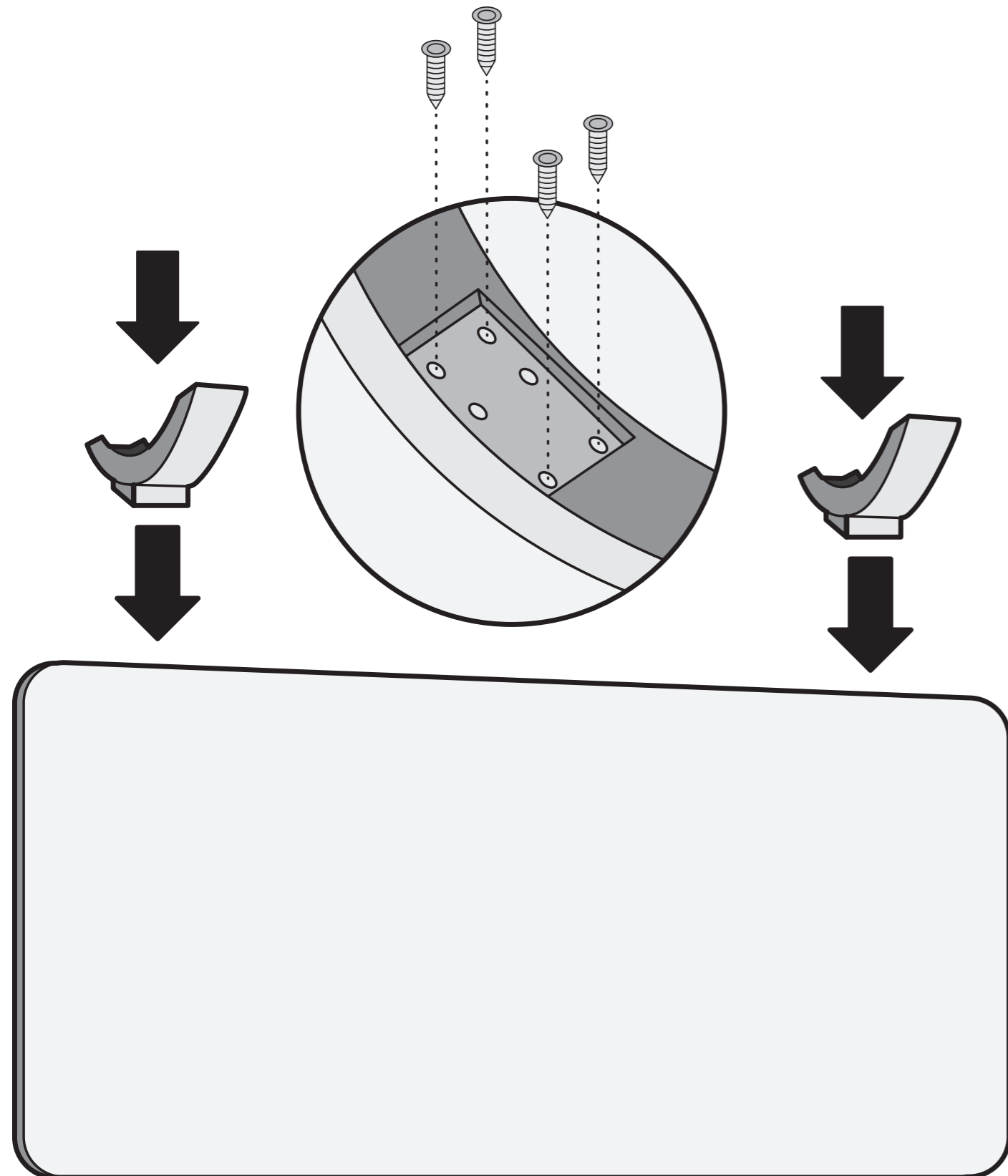
C. Heater

Need further help?
support@vonhaus.com

See our full range at
www.vonhaus.com

Stand Installation

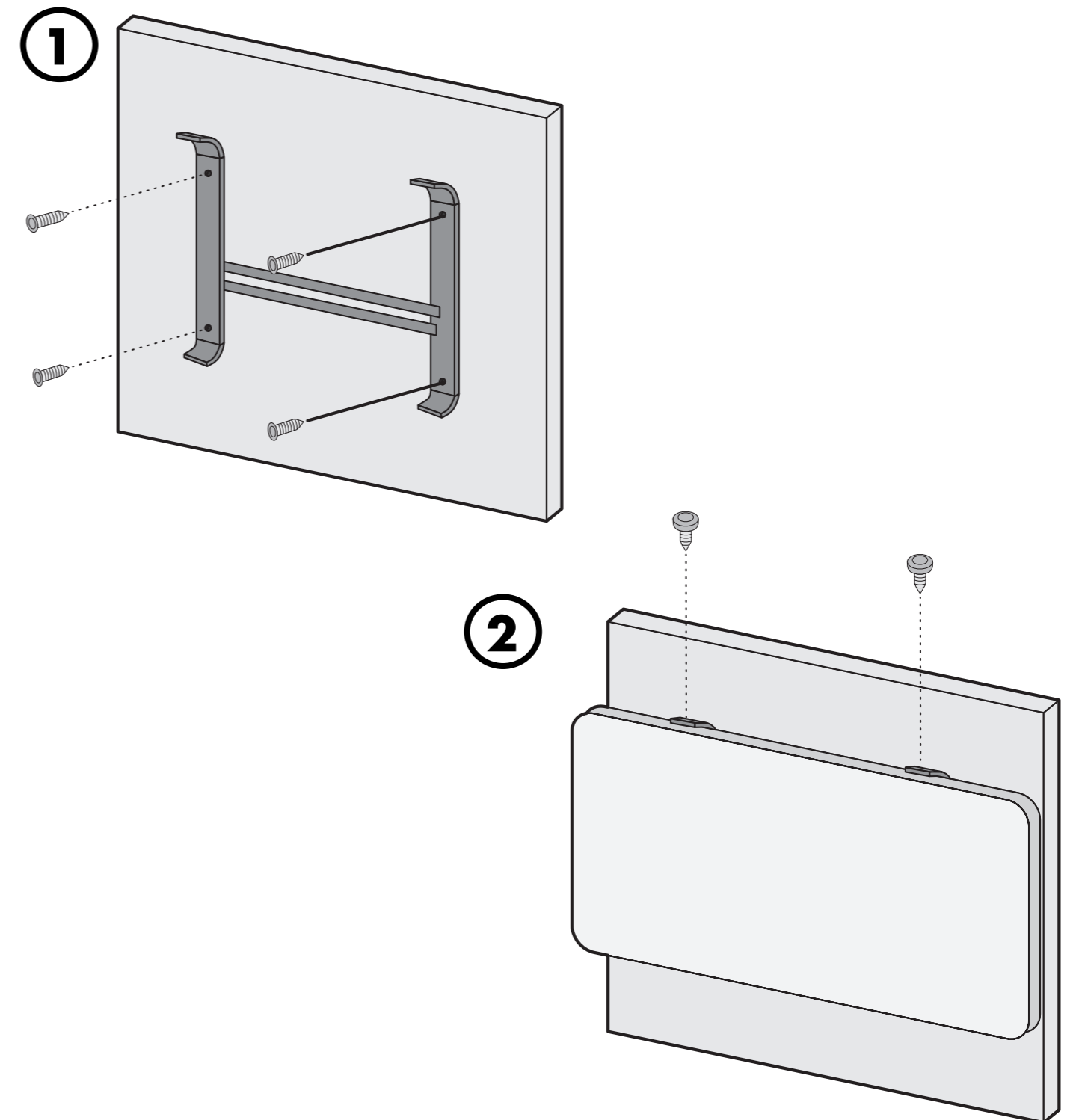
1. Place the heater gently on the floor, with the bottom facing up.
2. Align the footboard with the corresponding hole positions and install it directly at the bottom of the product.
3. After installation is complete, turn the product right side up so that the feet are touching the ground, then check that it is secure.



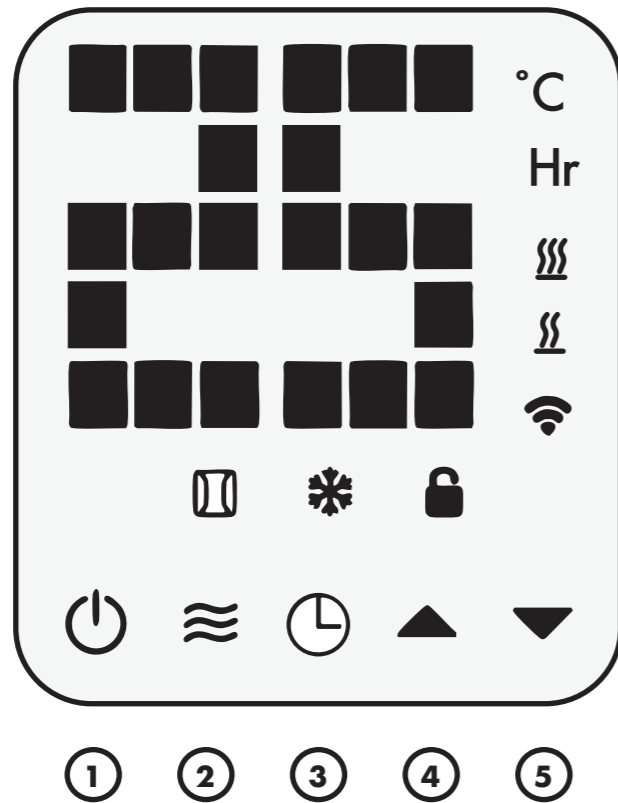
Wall-Mount Installation

The product **must** be installed at least 15 cm (6 inches) from the floor and at least 50 cm (20 inches) from the ceiling.

1. First, remove the wall-mounted bracket from the product.
2. Drill holes in the wall on each side. Insert the plastic expansion plugs, then secure the bracket to the wall with the screws provided.
3. Place the heater in a suitable position and ensure that the mounting holes align with those on the bracket.
4. Tighten the screws on top of the bracket.



Control Panel & Remote Control



1. On/Off

Press the **On/Off (1)** button to start the device in standby mode.

Display: The display area above the button will show the current room temperature.

Anti-Frost Function: When the device is in standby mode, press and hold the **power button (1)** to activate the anti-frost function.

The corresponding symbol ❄️ will light up when the lock is engaged.

2. Setting Modes & Fan Speed

Mode Selection: Use the **mode button (2)** to select your preferred operation mode.

Fan Speed: Adjust the fan speed by pressing the **mode button (2)** to toggle between low and high settings.

Reset: Press and hold the **mode button (2)** to reset the device.

3. Timer

Timer Setup: Press the **timer button (3)** to set a desired operating time between 1 and 24 hours.

Timer Display: When the timer is set (indicated by the timer symbol appearing on the display), the screen will turn off after the selection is confirmed to restore the ambient temperature display.

4 & 5. Temperature Controls

Temperature Selection: Press the **temperature control buttons (4 & 5)** to select your preferred temperature between 5°C and 40°C.

Control Panel & Remote Control

Additional Features

Display Timeout:

If no further action is taken, the temperature display will remain visible for 3 minutes, after which the screen will turn off automatically.

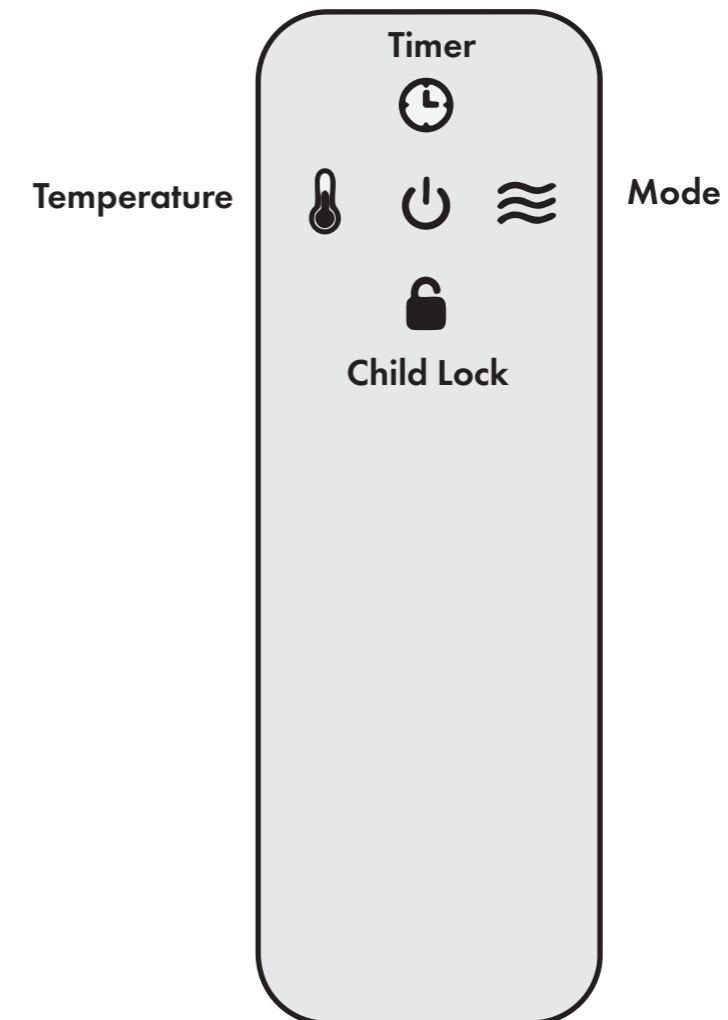
Child Lock:

Press and hold the **temperature up control (4)** to activate the child lock. The corresponding symbol 🔒 will light up when the lock is engaged.

Energy Saving Function:

Press & hold the **temperature down button (5)** to activate the energy saving function. This function will automatically turn off the unit if the room temperature drops more than 8 degrees in 1 minute.

The corresponding symbol 🚫 will light up when the energy saving function is engaged.



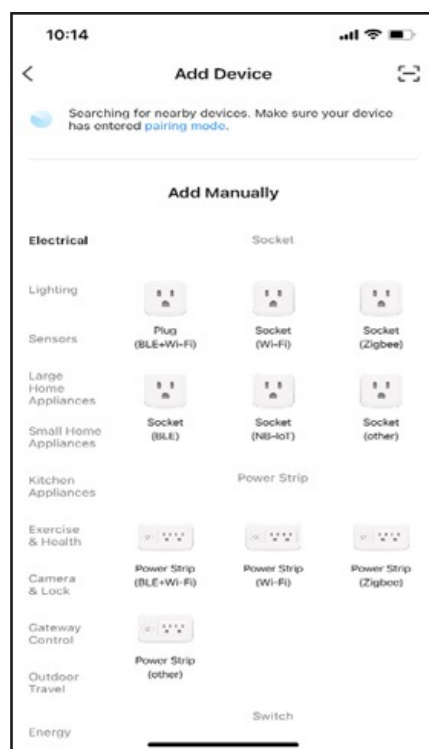
Connect to Wi-Fi



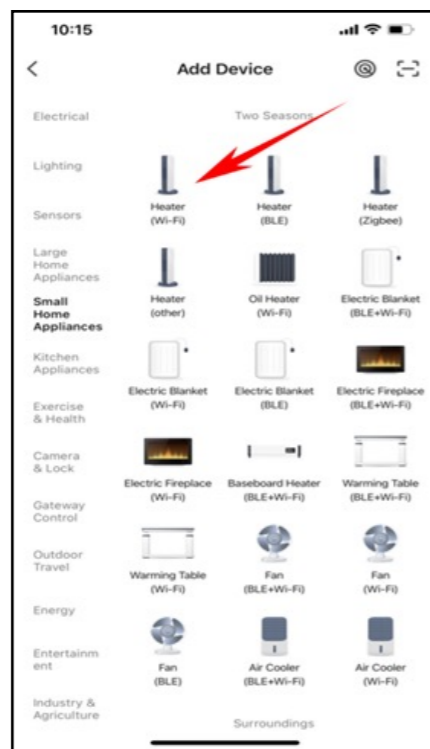
1. Use your phone to **scan the QR code** or search **"Tuya Smart"** in your app store to download and install the app.
2. Select your country code, enter your cellphone number and tap **"Get"** to receive a message with a verification code.
3. Enter the verification code from the message and tap **"Login"** to log in to the app.

(1) Wi-Fi Connection Mode

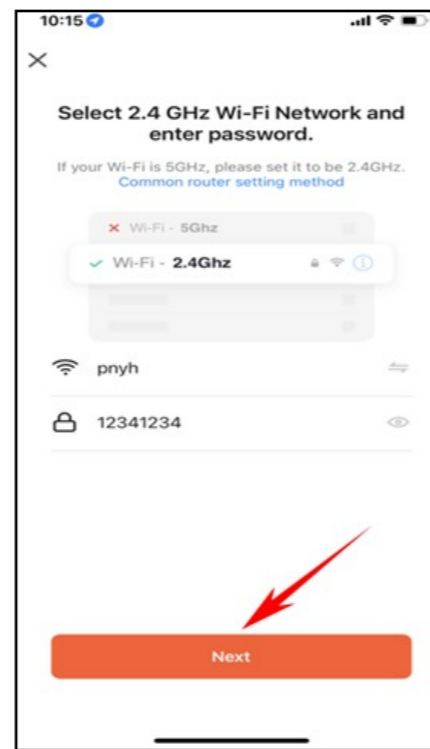
1. Display the "Add Device" page, as shown in **pic 2**.
2. Select the heater (Wi-Fi), as shown in **pic 3**.
3. When the indicator light on the device blinks rapidly, select the Wi-Fi network that can connect to the Internet and enter the Wi-Fi password. Click "Next," as shown in **pic 4**.
4. Press **"Confirm the indicator is blinking,"** and select **"Blink quickly,"** as shown in **pic 5**.
5. Wait for the app to connect with the device, as shown in **pic 6**.
6. Click **"Done"** when the connection is complete, as shown in **pic 7**.



Picture 02

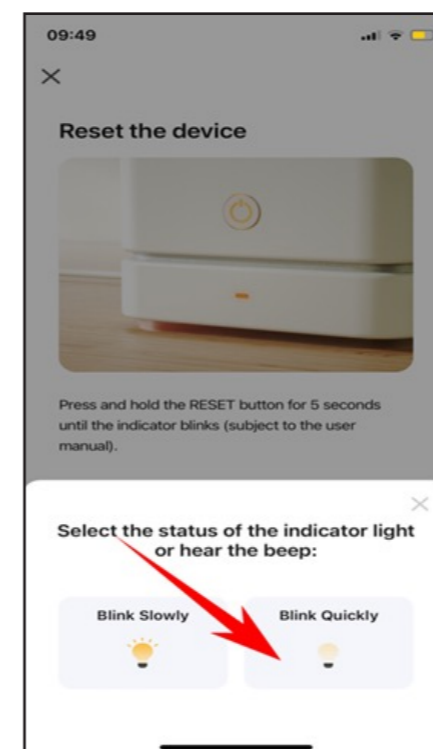


Picture 03



Picture 04

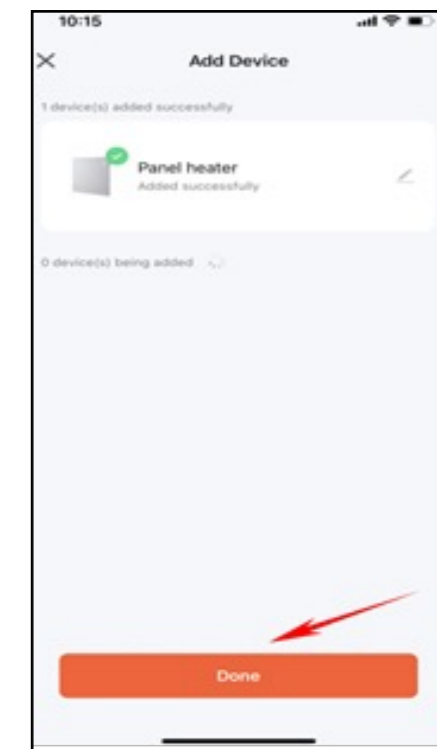
Connect to Wi-Fi



Picture 05



Picture 06

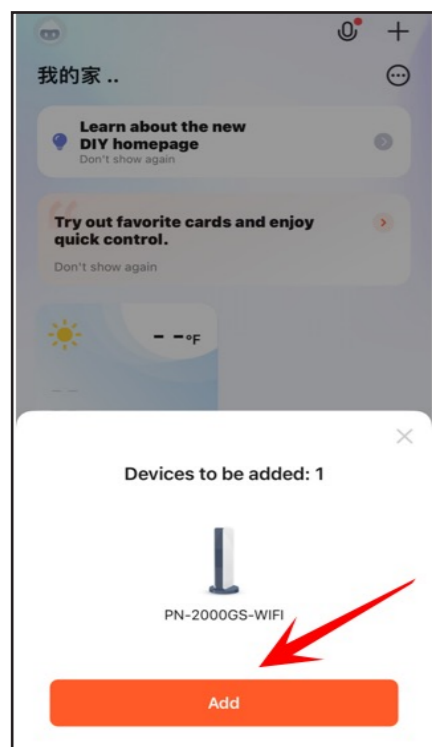


Picture 07

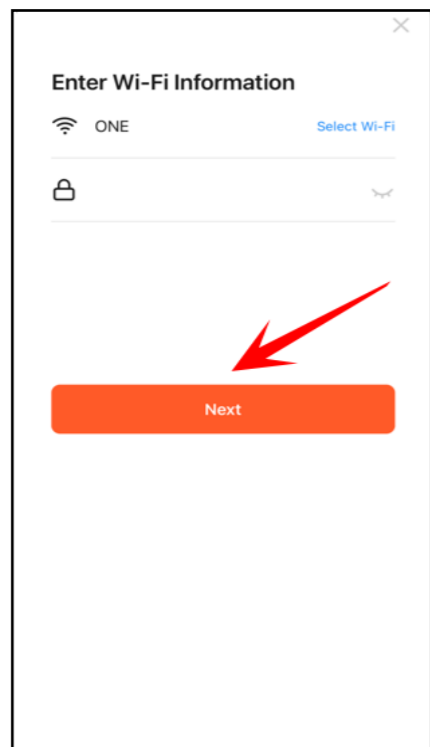
(2) Bluetooth Connection Mode

1. When the Wi-Fi indicator light on the device blinks rapidly, open Bluetooth in the app. The app will automatically search for the device. Then click **"Add,"** as shown in **pic 8**.
2. Select the Wi-Fi network that can connect to the Internet, enter the Wi-Fi password, and click **"Next,"** as shown in **pic 9**.
3. Wait for the app to connect with the device, as shown in **pic 10**.
4. Click **"Done"** when the connection is complete, as shown in **pic 11**.

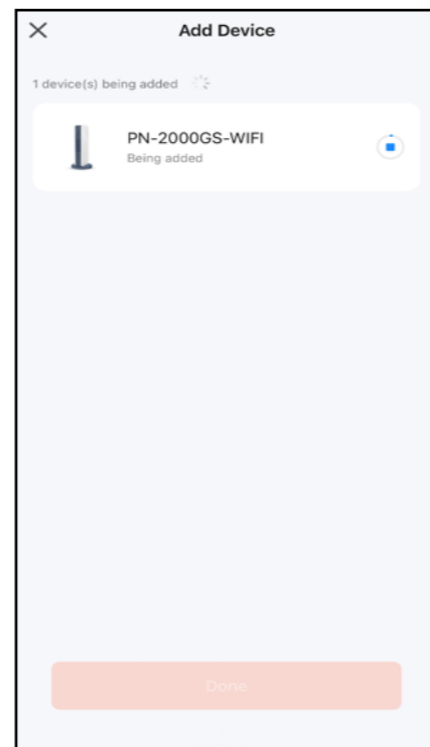
Connect to Wi-Fi



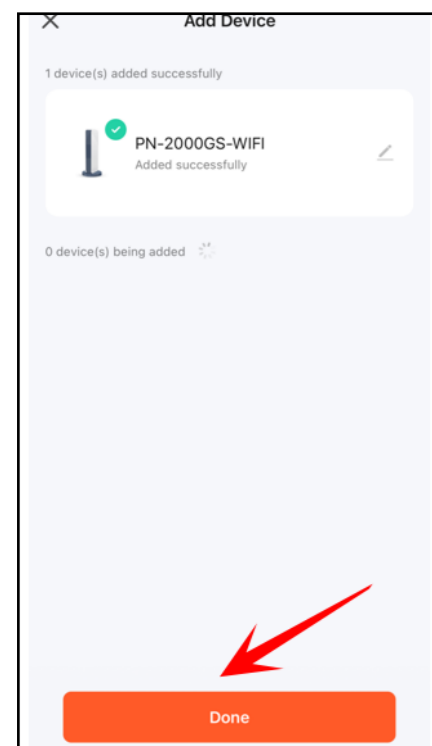
Picture 08



Picture 09



Picture 10

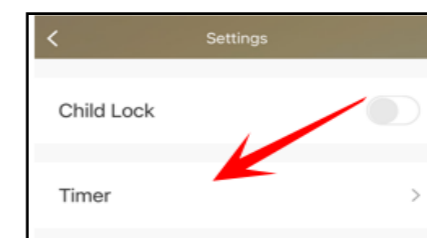


Picture 11

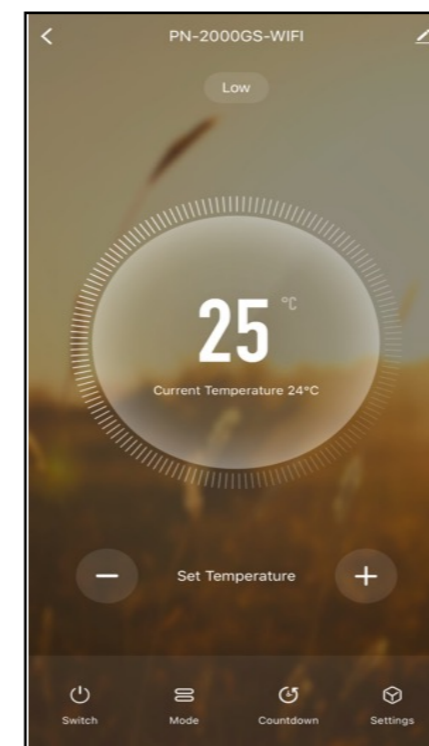
Connect to Wi-Fi

Operation by Wi-Fi

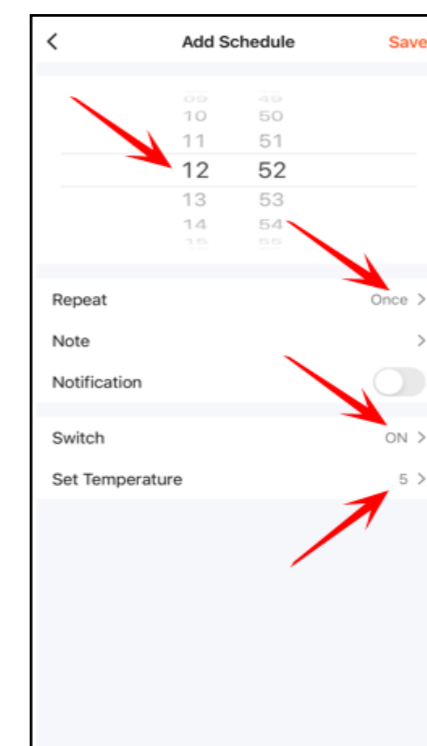
1. You can operate the device from your mobile phone using Wi-Fi or 4G LTE, as shown in **pic 12**.
2. Select the "Settings" button to operate:
 - A. Press "Timer," as shown in **pic 13**.
 - B. You can set the weekly schedule and timer as desired. Please note, the set temperature must be higher than the current temperature when turning on the power, as shown in **pic 14**.
 - C. Press the "Save" button in the top right corner to save your settings for "stop" or "start" of the weekly timer, as shown in **pic 15**.
 - D. Repeat the operation to set the next "stop" or "start" for the weekly timer.
 - E. Press the "Back" button in the top left corner to check the records you have set.
 - F. To delete a record, touch and hold it and select "Cancel."



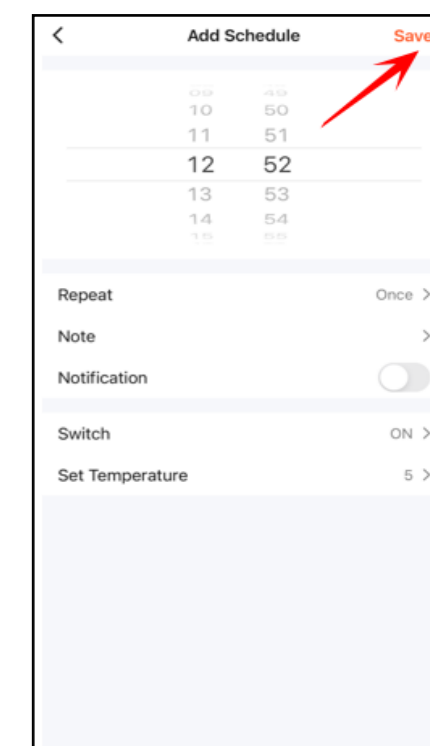
Picture 13



Picture 12



Picture 14



Picture 15

Information

Important Safety Notice

This product is **not suitable for use by children** or by individuals with **physical, sensory, or mental impairments** that may limit their ability to operate the equipment safely, **unless** they have been given supervision or instruction concerning the safe use of the product by a person responsible for their safety.

Caution

The appliance must be always placed on a flat and stable surface.

In order to avoid a hazard due to inadvertent resetting of the thermal cutout, this appliance must not be supplied through an external switching device, such as a timer, or connected to a circuit that is regularly switched on and off by the utility.

Safety

Read all instructions before using the heater. Only plug the heater into a single-phase socket with the voltage shown on the rating label. Do not leave the heater on when you leave home. Switch it off and unplug it. Keep flammable items such as furniture, bedding, clothes and curtains at least 100 cm away. Do not hang anything on or in front of the heater. Always use the heater upright. Do not use in rooms smaller than 4 m². Always unplug when not in use. Do not pull the cord. Keep at least 1 metre in front and 50 cm behind the heater clear. Do not position the heater directly beneath a socket. Keep children and animals away — the heater

gets hot during use. Do not cover the heater, as this can cause overheating. Do not use the heater near showers, baths, sinks or swimming pools. Do not use near explosive or flammable substances. Keep the heater clean and ensure the vents are clear. If the heater is dropped or damaged, have it checked by a professional before use. Supervise children, pets, or anyone with reduced abilities around the heater. Do not use to dry clothing or other fabrics. Never block the air vents. Do not move the heater while it is operating. If the heater or its cord is damaged, contact a qualified electrician. Do not use with timers or devices that switch the heater on automatically. Children must not play with or clean the heater. Children under 3 should be supervised at all times. Children aged 3 to 8 should only use the heater with supervision, and must not plug in, adjust or clean it. Never leave the heater unattended while plugged in. Some parts of the heater can get very hot and may cause burns. Do not touch hot surfaces.

If you are missing any components, contact our customer services department at support@vonhaus.com

DO NOT proceed with assembly if any components are missing.

Information

Customer Service

If you are having difficulty using this product and require support, please contact support@vonhaus.com

Warranty

To register your product and find out if you qualify for a free extended warranty please go to www.vonhaus.com/warranty

Please retain a proof of purchase receipt or statement as proof of the purchase date.

The warranty only applies if the product is used solely in the manner indicated in the warnings page of this manual, and all other instructions have been followed accurately.

Any abuse of the product or the manner in which it is used will invalidate the warranty.

Returns

Returned goods will not be accepted unless re-packaged in its original packaging and accompanied by a relevant and completed returns form. This does not affect your statutory rights.

No rights are given under this warranty to a person acquiring the appliance second-hand or for commercial or communal use.

Copyright

All material in this instruction manual are copyrighted by DOMU Brands.

Any unauthorised use may violate worldwide copyright, trademark, and other laws.

Thank You

Thank you for purchasing your product/appliance.

Should you require assistance with your purchase, please contact us at support@vonhaus.com

Vonhaus is a registered trademark of DOMU Brands Ltd.

Made in China for DOMU Brands Ltd.
Unit 30, Stakehill Industrial Estate
Middleton, Manchester, M24 2RW

EU Authorised Representative

Authorised Representative Service
77 Camden Street Lower
Dublin, D02 XE80
Ireland

Let's get started!

Visit our product hub for useful tips and tricks on getting the most out of your new product.

SCAN ME

