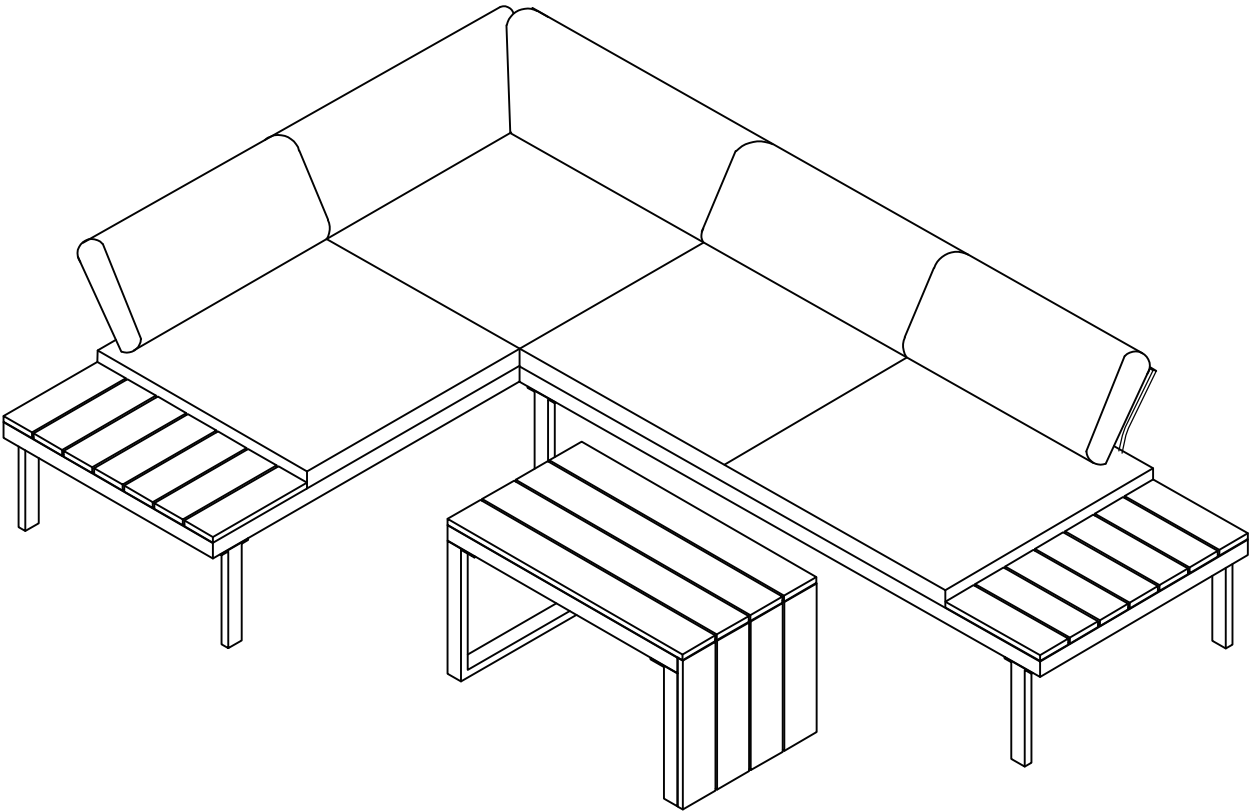


**vonhaus**

# ARUBA 4 SEATER SOFA



## Setup Instructions

Product No. 2020001



**AssemblyTime**  
90 Minutes



**Max Weight**  
**(Per 2-seater)**  
300 kg



**Max Weight**  
**(Table)**  
40 kg

### Let's get started!

Visit our product hub for useful tips and tricks on getting the most out of your new product.

### SCAN ME



**Need further help?**  
[support@vonhaus.com](mailto:support@vonhaus.com)

**Besoin d'aide supplémentaire ?**  
[support@vonhaus.com](mailto:support@vonhaus.com)

**Benötigen Sie weitere Hilfe?**  
[support@vonhaus.com](mailto:support@vonhaus.com)

**Necesita más ayuda?**  
[support@vonhaus.com](mailto:support@vonhaus.com)

**Hai bisogno di ulteriore assistenza?**  
[support@vonhaus.com](mailto:support@vonhaus.com)

**See our full range at**  
[www.vonhaus.com](http://www.vonhaus.com)

**Découvrez notre gamme complète sur**  
[www.vonhaus.com](http://www.vonhaus.com)

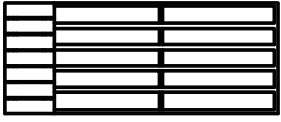
**Entdecken Sie unser gesamtes Sortiment auf**  
[www.vonhaus.com](http://www.vonhaus.com)

**Descubra toda nuestra gama en**  
[www.vonhaus.com](http://www.vonhaus.com)

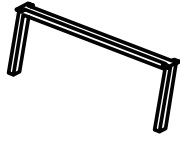
**Scopri tutta la nostra gamma su**  
[www.vonhaus.com](http://www.vonhaus.com)

# Components

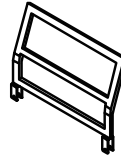
---



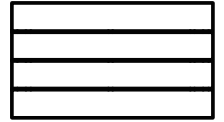
A x2



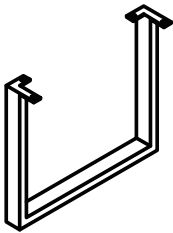
B x4



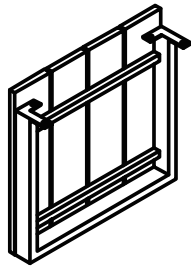
C x5



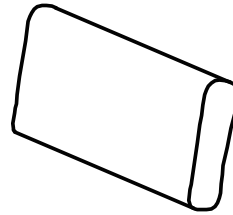
D x1



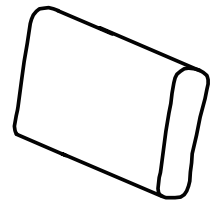
E x1



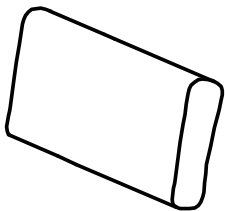
F x1



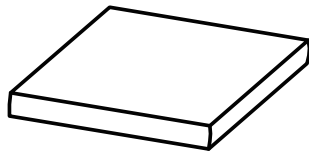
G x3



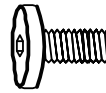
H x1



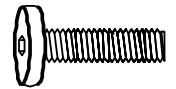
I x1



J x4



K x24



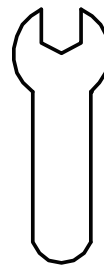
L x10



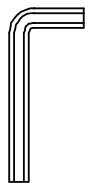
M x44



N x10



O x1

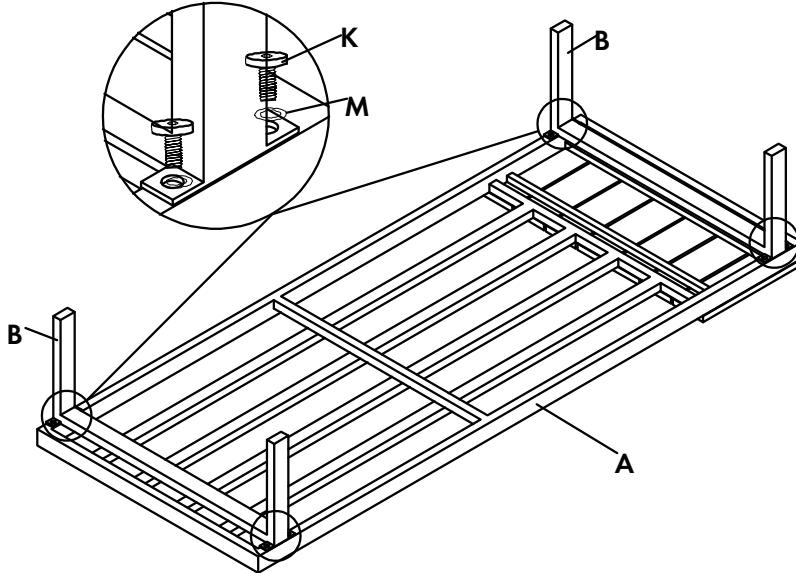


P x1

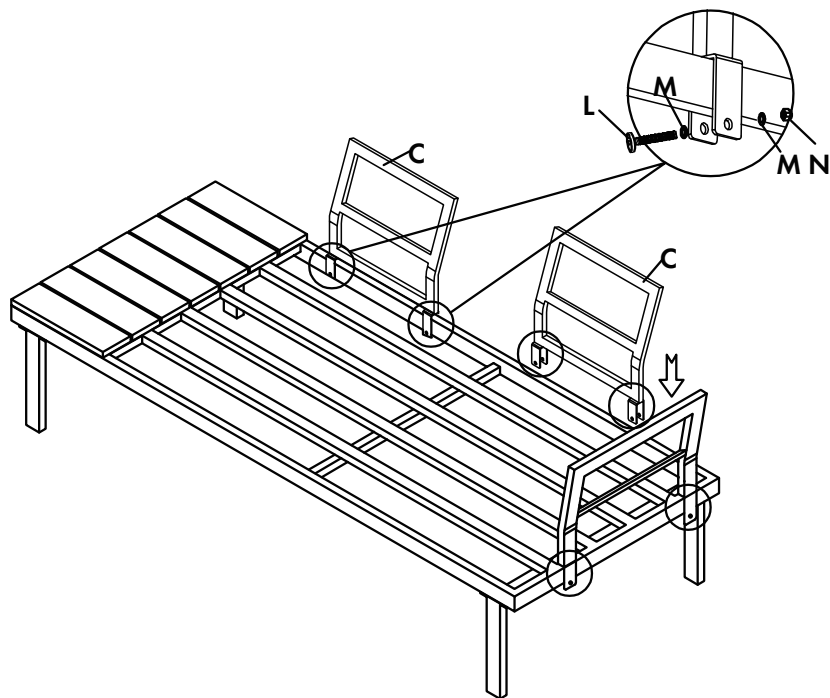
# Assembly

---

1



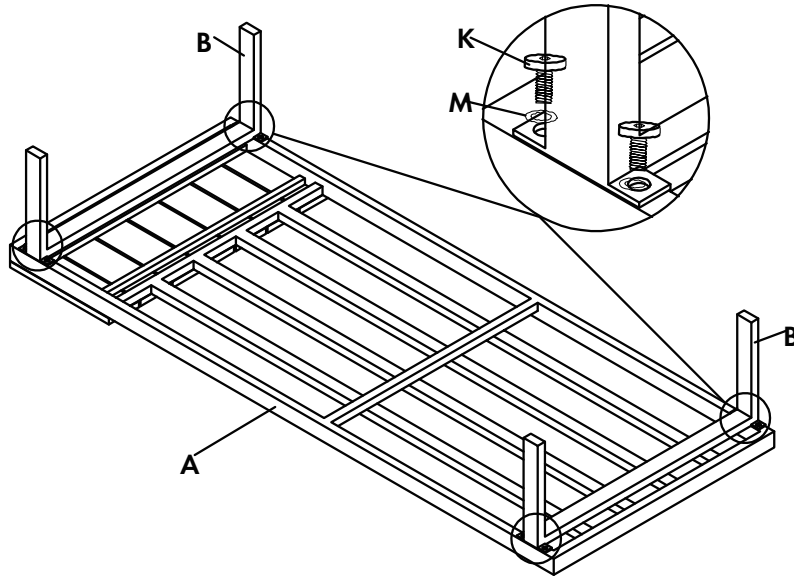
2



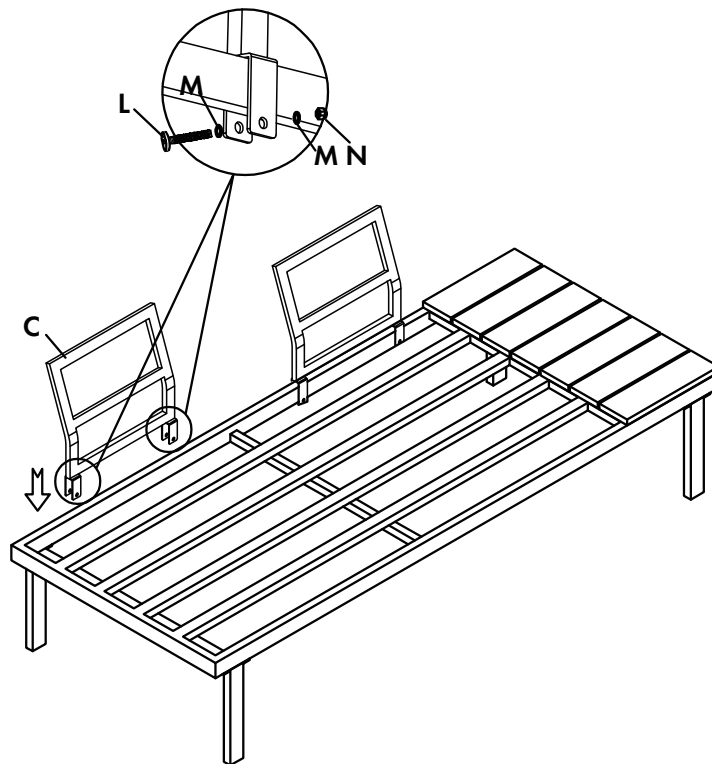
# Assembly

---

**3**

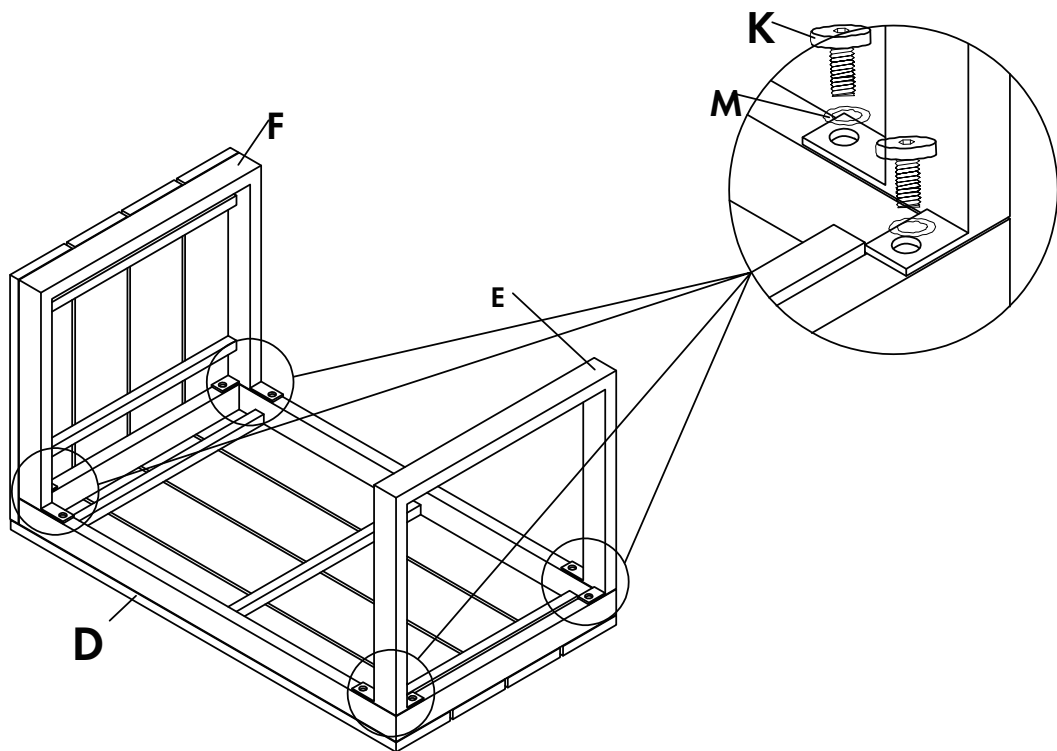


**4**

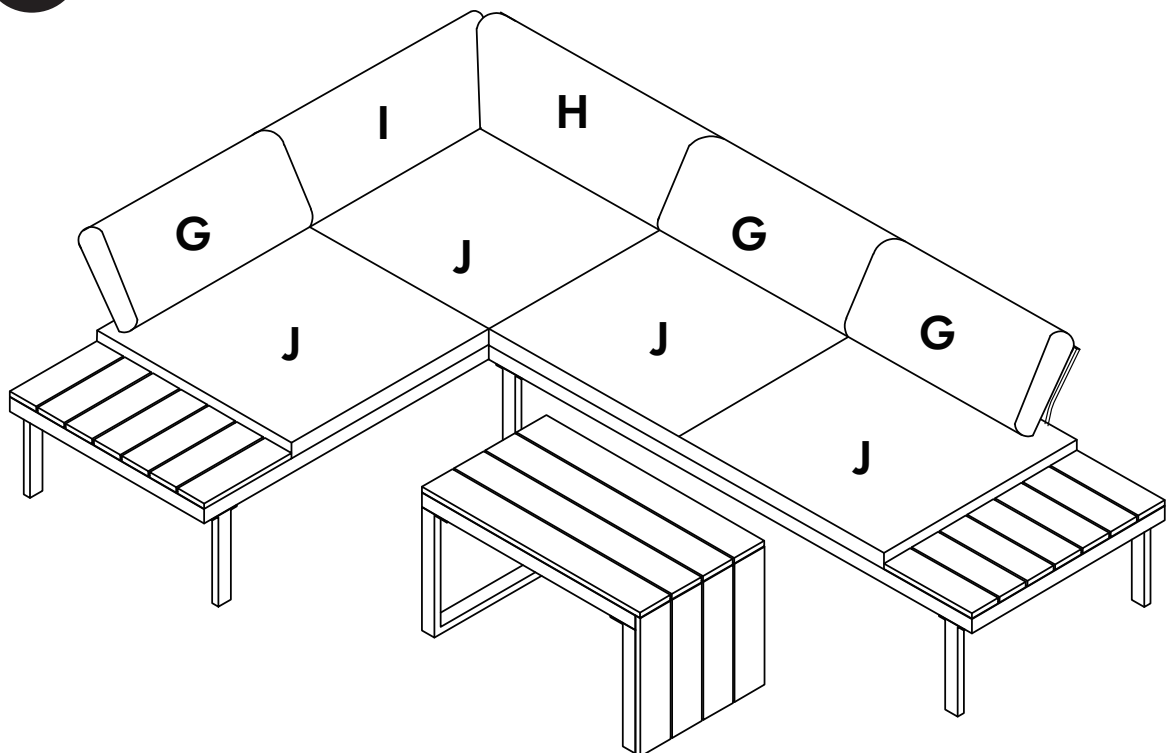


# Assembly

5



6



# Information

---

## Maintenance

- This product is intended for outdoor use only.
- Inspect the fabric for signs of wear and repair any small tears promptly.
- Remove and store fabric parts during the off-season to prolong their lifespan.
- Clean the fabric regularly with mild soap and water to remove dirt and stains.
- Avoid using harsh chemicals or bleach on the fabric to prevent damage.

## Health & Safety

- Do not overload this furniture.
- Clean spills immediately to prevent stains.
- Avoid placing furniture on uneven surfaces to prevent tipping.
- Regularly inspect for mold or mildew and clean as needed.
- Ensure correct construction and installation to avoid risk of injury or damage to the product.

## Troubleshooting

### Why is my outdoor furniture fabric getting moldy?

Clean regularly and ensure the furniture is dry before covering.

### Why are the cushions on my outdoor furniture flattening?

Fluff the cushions regularly and store them indoors when not in use.

### Why is my outdoor furniture making noise?

Lubricate moving parts and tighten any loose components.

**Why is my outdoor furniture frame bending?** Avoid overloading the furniture and ensure it is placed on a level surface.

**Why is my outdoor furniture wobbly?** Tighten all screws and bolts and check for any structural damage.

## Thank You

Thank you for purchasing your product/appliance.

Should you require assistance with your purchase, please contact us at [support@vonhaus.com](mailto:support@vonhaus.com)

Vonhaus is a registered trademark of DOMU Brands Ltd.

Made in China for DOMU Brands.

## Authorised Representative

Authorised Representative Service  
77 Camden Street Lower  
Dublin, D02 XE80, Ireland

# Legal

---

## DISPOSAL INFORMATION

Please recycle where facilities exist. Check with your local authority for recycling advice.

## CUSTOMER SERVICE

If you are having difficulty using this product and require support, please contact [support@vonhaus.com](mailto:support@vonhaus.com)

## WARRANTY

To register your product and find out if you qualify for a free extended warranty please go to [www.vonhaus.com/warranty](http://www.vonhaus.com/warranty).

Please retain a proof of purchase receipt or statement as proof of the purchase date.

The warranty only applies if the product is used solely in the manner indicated in the warnings page of this manual, and all other instructions have been followed accurately.

Any abuse of the product or the manner in which it is used will invalidate the warranty.

## RETURNS

Returned goods will not be accepted unless re-packaged in its original packaging and accompanied by a relevant and completed returns form. This does not affect your statutory rights.

No rights are given under this warranty to a person acquiring the appliance second-hand or for commercial or communal use.

## COPYRIGHT

All material in this instruction manual are copyrighted by DOMU Brands.

Any unauthorised use may violate worldwide copyright, trademark, and other laws.



Product No. 2020001