

2500265



Please read all instructions carefully before use and retain for future reference.



Protect your hands.



Wear suitable footwear.



Wear a dust mask.



Protect your eyes.



Protect your ears.



Protective clothing must be worn



Maintain a safe distance from bystanders.



Do not use in wet conditions.

Manufactured and sold under licence

Please read all instructions carefully before use and retain for future reference.

INTENDED USE Only operate the power tool/machine for its intended purpose and within the parameters specified in this manual.

This power tool/machine is for domestic use only. This power tool/machine is not intended for use by persons with reduced physical, sensory or mental capabilities, or lack of experience and knowledge, unless supervised or given appropriate instruction concerning the product's use by a person responsible for their safety.

GENERAL PRECAUTION Do not allow to be used as a toy. Children should be supervised to ensure they do not play with the power tool/machine.

If the power tool/machine is not functioning properly, has been dropped, damaged, left outdoors, or immersed in liquid, do not use, contact DOMU Brands Customer Services.

Do not use the power tool/machine if any parts appear to be faulty, missing or damaged. Ensure all parts are securely attached before use.

RISK OF PERSONAL INJURY Avoid body contact with earthed or grounded surfaces such as pipes, radiators, ranges and refrigerators. There is an increased risk of electric shock if your body is earthed or grounded.

Prevent unintentional starting. Ensure the switch is in the off position before connecting to the power source and/or battery pack, picking up or carrying the tool. Carrying power tools with your finger on the switch, or energising power tools that are switched on, invites accidents.

Do not operate power tools in explosive atmospheres such as in the presence of flammable liquids, gases or dust. Power tools create sparks which may ignite the dust or fumes.

Always wear eye protection. Any power tool can throw foreign objects into your eyes and cause permanent eye damage. Always wear safety goggles (not glasses) that comply with ANSI safety standard Z87.1. Every day glasses have only impact resistant lenses.

Do not expose power tools to rain or wet conditions. Water entering the power tools will increase the risk of electric shock.

Stay alert, watch what you are doing and use common sense when operating a power tool/machine. Do not use a power tool/machine while you are tired or under the influence of drugs, alcohol or medication. A moment of inattention while operating power tool/machine may result in serious personal injury.

Use personal protective equipment. Always wear eye protection. Protective equipment such as dust mask, non-skid safety shoes, hard hat, or hearing protection used for appropriate conditions will reduce personal injuries.

Prevent unintentional starting. Ensure the switch is in the off-position before connecting to power source and/or battery pack, picking up or carrying the tool.

Carrying power tool/machine with your finger on the switch or energizing power tool/machine that have the

switch on invites accidents.

Remove any adjusting key or spanner before turning the power tool/machine on. A spanner or a key left attached to a rotating part of the power tool/machine may result in personal injury.

Do not overreach. Keep proper footing and balance at all times. This enables better control of the power tool/machine in unexpected situations.

Dress appropriately. Do not wear loose clothing or jewellery.

Keep your hair, clothing and gloves away from moving parts. Loose clothes, jewellery or long hair can be caught in moving parts.

If devices are provided for the connection of dust extraction and collection facilities, ensure these are connected and properly used. Use of dust collection can reduce dust-related hazards.

WORK AREA SAFETY Keep work area clean and well lit. Cluttered or dark areas invite accidents.

Do not operate power tool/machine in explosive atmospheres, such as in the presence of flammable liquids, gases or dust.

Power tool/machine create sparks which may ignite the dust or fumes.

Keep children and bystanders away while operating a power tool/machine. Distractions can cause you to lose control.

GENERAL POWER TOOL USE AND CARE Do not force the power tool/machine. Use the correct power tool/machine for your application. The correct power tool/machine will do the job better and safer at the rate for which it was designed.

Do not use the power tool/machine if the switch does not turn it on and off. Any power tool/machine that cannot be controlled with the switch is dangerous and must be repaired.

Disconnect the plug from the power source and/or the battery pack from the power tool/machine before making any adjustments, changing accessories, or storing power tool/machine tools. Such preventative safety measures reduce the risk of starting the power tool/machine accidentally.

Store idle power tool/machine out of the reach of children and do not allow persons unfamiliar with the power tool/machine or these instructions to operate the power tool/machine.

Power tool/machines are dangerous in the hands of untrained users.

Maintain power tool/machines. Check for misalignment or binding of moving parts, breakage of parts and any other condition that may affect the power tool/machines operation. If damaged, have the power tool/machines repaired before use. Many accidents are caused by poorly maintained power tool/machines.

Keep cutting tools sharp and clean.

Properly maintained cutting tools with sharp cutting edges are less likely to bind and are easier to control.

Use the power tool/machine accessories and tool bits in accordance with these instructions, take into account the working conditions and the work to be performed.

Use of the power tool/machine for operations different from those intended could result in a hazardous situation.

CLEANING & MAINTENANCE Never soak or immerse electrical components and or a component that has a plug attached.

Disconnect the plug from the power source before making any adjustments, changing accessories, or storing. Such preventative safety measures reduce the risk of starting the power tool accidentally.

Ensure the motor has fully stopped before cleaning, clearing a blockage, checking, or carrying out any maintenance on the tool.

Maintain your power tool. Check for misalignment or binding of moving parts, breakage of parts and any other

condition that may affect the power tool's operation. If damaged, have the power tool repaired by a qualified repair person before use. Many accidents are caused by poorly maintained power tools.

Keep cutting tools sharp and clean. Properly maintained cutting tools with sharp cutting edges are less likely to bind and are easier to control.

Regularly check external nuts and fixings to ensure vibration caused by normal use has not begun to loosen them. Store idle power tools out of reach of children and do not allow persons unfamiliar with the power tool or these instructions to operate the Breaker.

Locate the power tool out of reach of children, in a dry, locked unit.

Make sure that the cord is located so that it will not be stepped on, tripped over, or otherwise subjected to damage or stress.

Remove the plug from the mains socket / battery (where applicable) before carrying out any adjustment or maintenance.

Always store the power tool/machine in a dry place.

If the power cord is damaged, it must be replaced by a qualified service technician.

Keep the ventilation slots and motor housing as free of dirt and dust as possible (where applicable).

Clean the power tool/machine by rubbing it with a clean cloth and blow it clean using low-pressure compressed air is recommended.

Ensure you have all the pieces listed. If you are missing any components, contact our customer services department at

support@domu.co.uk

. DO NOT proceed with assembly if any components are missing.

LAWN TRIMMERS & LAWN EDGE TRIMMERS

Check for misalignment or binding of moving parts, breakage of parts and any other condition that may affect the power tool's operation.

Keep cutting tools sharp and clean. Properly maintained cutting tools with sharp cutting edges are less likely to bind and are easier to control.

Hold power tool by insulated gripping surfaces, when performing an operation where the cutting accessory may contact hidden wiring or its own cord. Cutting accessory contacting a "live" wire may make exposed metal parts of the power tool "live" and could give the operator an electric shock.

Keep hands away from cutting area. Never reach underneath the workpiece for any reason. Do not insert fingers or thumb into the vicinity of the blade and blade release switch.

BATTERY WARNINGS (INCLUDING BUTTON CELLS, AA BATTERYS, LITHIUM PACKS)

WARNING The use, and particularly abuse of portable sealed secondary lithium cells and batteries may result in the creation of hazards and may cause harm.

Do not dismantle, open or shred secondary cells or batteries.

Keep batteries out of the reach of children.

NOTE the battery pack is not fully charged out of the box. Secondary cells and batteries need to be charged before use, always refer to the cell or battery manufacturer's instructions and use the correct charging procedure. Recharge only with the charger specified by the manufacturer. A charger that is suitable for one type of battery pack may create a risk of fire when used with another battery pack.

Use the appliance/power tool/machines only with specifically designated battery packs. Use of any other battery packs may create a risk of injury and fire.

First read the safety instructions and then follow the charging notes and procedures.

Incorrect reassembly may result in a risk of electric shock or fire.

Protect the battery and charger against water and moisture. Always keep cells and batteries clean and dry. Wipe the cell or battery terminals with a clean dry cloth if they become dirty.

Protect the battery from heat and fire. Place the charger in a position away from any heat source and avoid storage in direct sunlight.

Do not maintain secondary cells and batteries on charge when not in use.

After extended periods of storage, it may be necessary to charge and discharge the cells or batteries several times to obtain maximum performance.

Do not short-circuit a cell or battery.

Do not store cells or batteries haphazardly in a box or drawer where they may short-circuit each other or be short-circuited by conductive materials. When the battery pack is not in use, keep it away from other metal objects such as paper clips, coins, keys, nails, screws or other small metal objects that can make a connection from one terminal to another. Short-circuiting the battery terminals together may result in burns or a fire.

Do not expose cells or batteries to mechanical shock. Never attempt to open the battery pack for any reason or if the plastic housing of the battery pack breaks or cracks, immediately discontinue use and do not recharge.

When possible, remove the battery from the appliance/power tool/machine when not in use.

Do not leave a battery on prolonged charge when not in use or stored for extended periods of time as this may cause damage to the battery.

To facilitate cooling of the battery pack after use, avoid placing the charger or battery pack in a warm environment such as a metal shed or an uninsulated trailer.

To reduce the risk of electric shock, unplug the charger from the outlet before attempting any cleaning. Removing the battery pack will not reduce this risk.

In the event of a cell leaking, do not allow the liquid to come into contact with the skin or eyes. If contact has been made, wash the affected area with copious amounts of water and seek medical advice.

Seek medical advice immediately if a cell or battery has been swallowed.

Always observe the polarity marks (+) and (-) on the cell, battery and equipment and ensure correct use.

Retain the original cell and battery literature for future reference

When disposing of secondary cells or batterie, keep cells or batteries of different electrochemical systems separate from each other.

Do not use any cell or battery which is not designed for use with the equipment.

Do not mix any cells of different manufacturers, capacity, size or type within a device.

Always purchase the battery recommended by the device manufacturer for the equipment.

ADDITIONAL SAFETY INFORMATION FOR BATTERY CHARGERS.

This appliance should not be used by children and/or persons with reduced physical, sensory or mental capabilities or lack of experience and knowledge. Children shall not play with the appliance.

Do not place any object on top of the charger or place the charger on a soft surface that may result in excessive internal heat.

Do not attempt to disassemble the charger. Take it to an electrician or tool repairer when service or repair is required.

Appliances/power tools/machines with Lithium-ion batteries shall only be charged with the specifically designed Lithium-ion battery charger purchased with this tool. Do not attempt to charge the battery with any charger other than the one supplied as this is potentially dangerous.

Before using the charger, read all instructions, labels and cautionary markings on the charger.

The charger is not intended to be used for any purpose other than charging the battery pack for this tool. Any

other use may result in risk of fire or electric shock. Do not attempt to use the charger on any other voltage or rating than those stated on the rating plate.

Do not use the charger for any purpose other than that for which it is intended.

Do not use the charger to charge any device other than the appliance/power tool/machine it was sold with.

Do not use an extension cord unless absolutely necessary. The use of an improper extension cord could result in fire or electric shock.

Never attempt to connect two chargers together.

Use the battery charger indoors only.

Make sure that the charger cable is positioned where it will not be stepped on, tripped over or otherwise subjected to damage or stress. Keep the cord away from operating appliance/power tool/machine.

Do not operate the charger in a cabinet or other enclosure unless ventilation is adequate.

Do not place any object onto the charger or allow any object to rest on the charger.

Never place the appliance/power tool/machine or charger near or over a heat source such as radiator or heater.

WARNING Never charge your Lithium-ion battery below or above temperatures recommended as this may result in fire or permanent damage to the battery.

The most suitable temperatures to charge the battery are between **20°C/68°F** and **25°C/77°F**.

WARNING Do not allow water or any other liquid to come into contact with the charger as this may result in electric shock. Do not position the tool or battery charger near water. Take care not to spill liquid of any kind on the tool or charger.

DANGER Do not use the charger if it has been subjected to a heavy knock, dropped, or otherwise damaged in any way. Take the charger to an authorised service centre for it to be checked and repaired.


Do not attempt to disassemble the charger by opening or removing covers.

To reduce risk of damage to the electric plug and cord, pull by the plug rather than the cord when disconnecting the charger.

TECHNICAL SPECIFICATION

Rated Voltage 20V MAX 

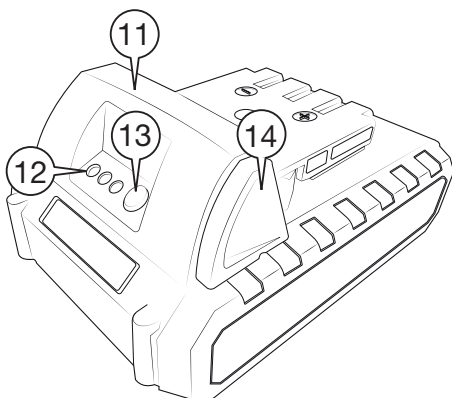
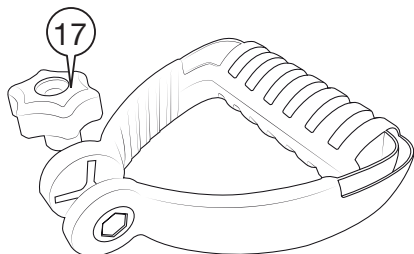
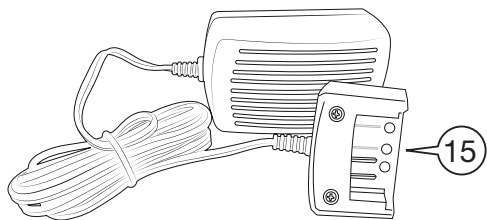
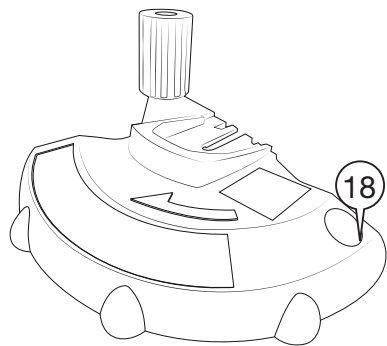
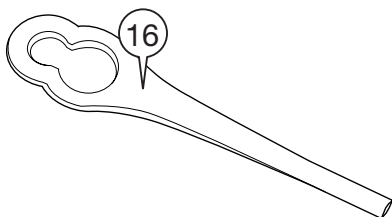
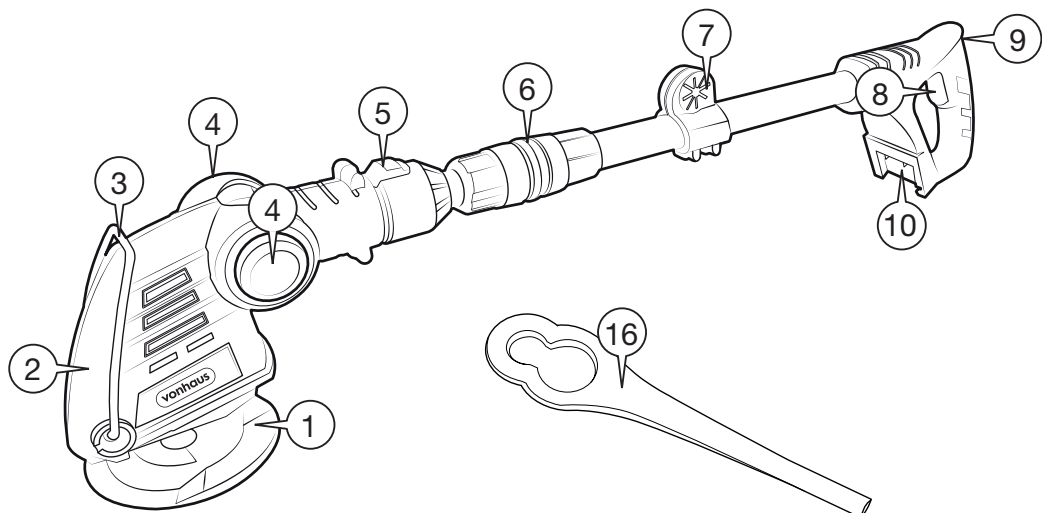
Rated Charger Input 100W-240W~ 50/60Hz

Rated Charger Output 22V , 1.5A

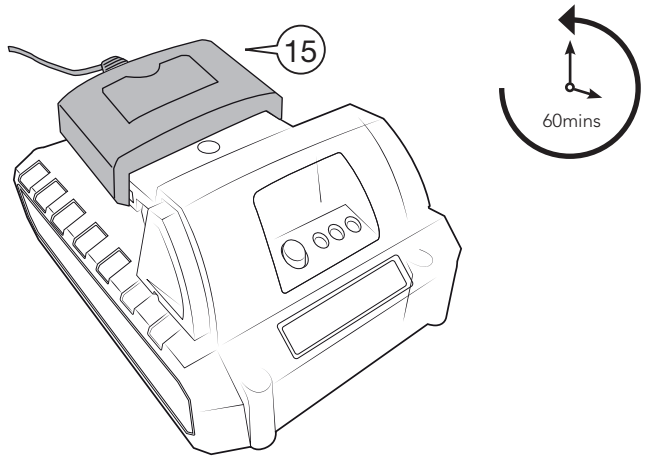
COMPONENT LIST

EN

1. Blade Holder
2. Motor Unit
3. Flower Guard
4. Handle Adjustment
5. Rotational Adjust
6. Extender Lock
7. Auxillary Handle Mount
8. Power Trigger
9. Saftey Trigger
10. Battery Cavity
11. 20V MAX Battery
12. LED Indicator
13. Indicator button
14. Battery Release Button
15. Charger
16. Trimmer Blades
17. Auxillary Handle
18. Safety Guard



BATTERY



Plug the Battery Charger (15) into a suitable mains power outlet. Insert the opposite end into the top of the Battery to begin charging. The green indicator lights on the Battery will indicate charging.

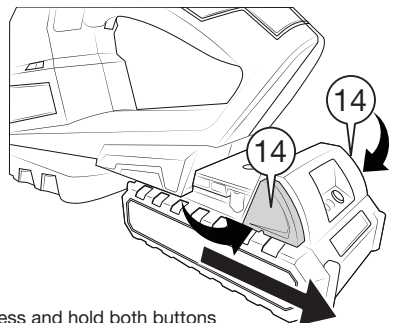
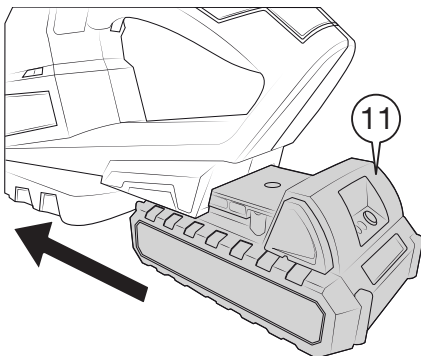
LEVEL OF CHARGE

Pressing the Charge Indicator Button (13) will indicate the level of charge.

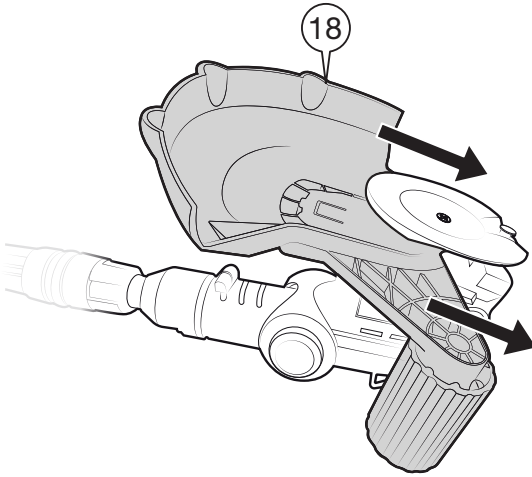
- 1 light flashing = The Battery is low/requires charging.
- 2 solid green lights = The Battery is partially charged.
- 3 solid green lights = The Battery is fully charged.

NOTE: You can also press the Charge Indicator Button whilst the device is charging:

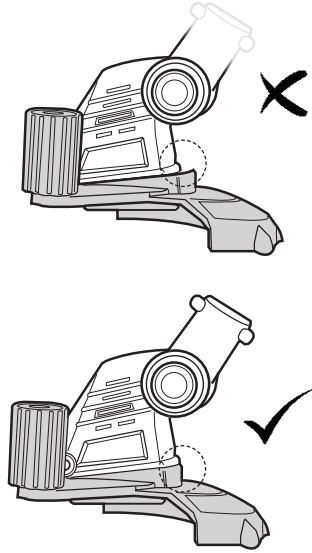
- If the Charge Indicator Lights turn green and flicker, the battery is charging.
- If the Charge Indicator Lights turn green and do not flicker, the battery is fully charged.



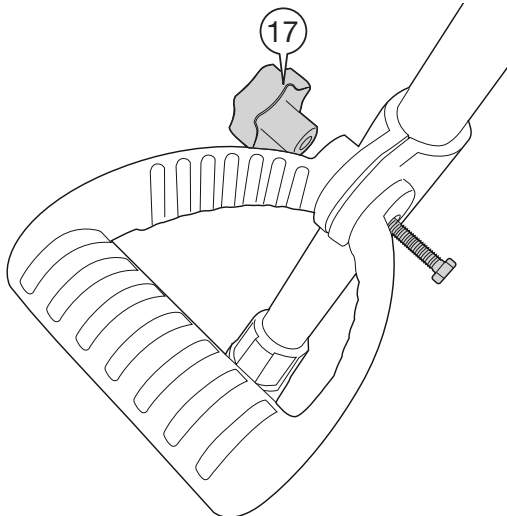
Press and hold both buttons to release and pull.

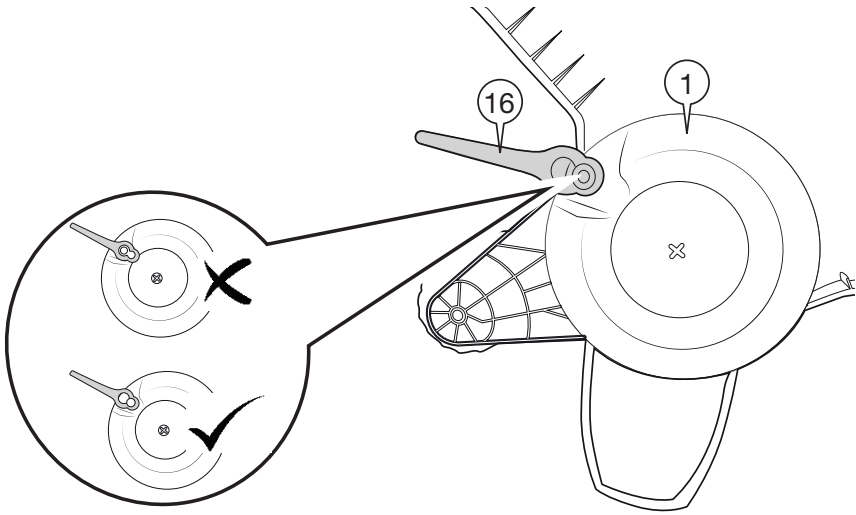


Push the Safety Guard under the Blade Holder until it 'clicks' into position.



Ensure the edges of the Blade Holder and Safety Guard (circled) align before use. If they are not aligned, then the Safety Guard has not been fitted correctly.



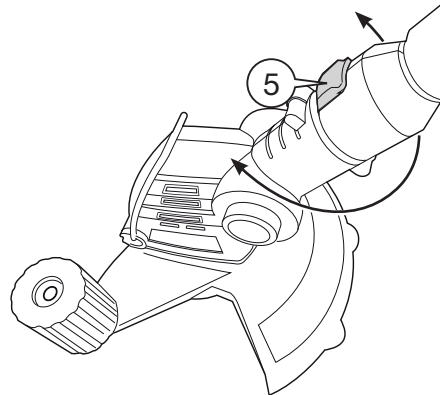
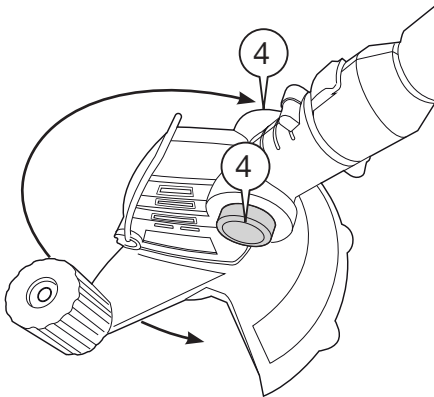


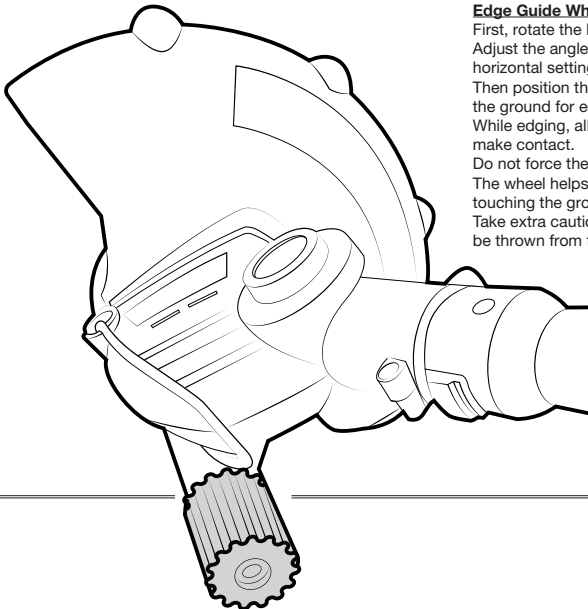
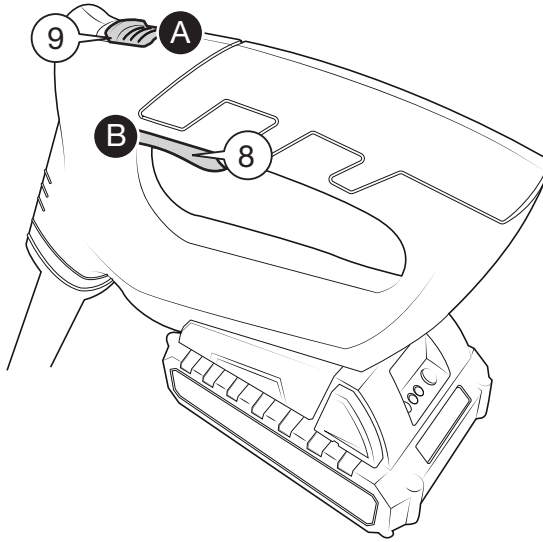
2-3 blades per cut is the average used for a small to medium sized lawn.

Please note that blades are not to be used on any other organic material than grass.

If blades encounter any material denser than grass, they may become prone to being dislodged from the blade wheel or can snap if they encounter lawn edging, paving, fencing or stone/wood borders.

We recommend to use the flower guard as a guide to prevent blades hitting lawn edging, paving, fencing or stone/wood borders





Edge Guide Wheel

First, rotate the Motor Unit 90° .

Adjust the angle of the Motor Unit to be at a horizontal setting.

Then position the Edge Guide Wheel (A) on the ground for edge mode

While edging, allow the tip of the Blade to make contact.

Do not force the Blade.

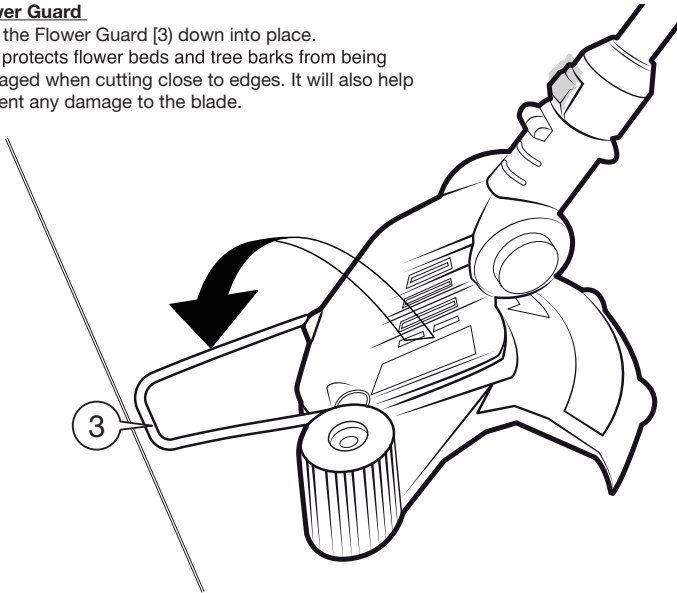
The wheel helps to prevent the unit from touching the ground.

Take extra caution while edging as objects can be thrown from the Blade.

OPERATION

Flower Guard

Pull the Flower Guard [3] down into place. This protects flower beds and tree barks from being damaged when cutting close to edges. It will also help prevent any damage to the blade.



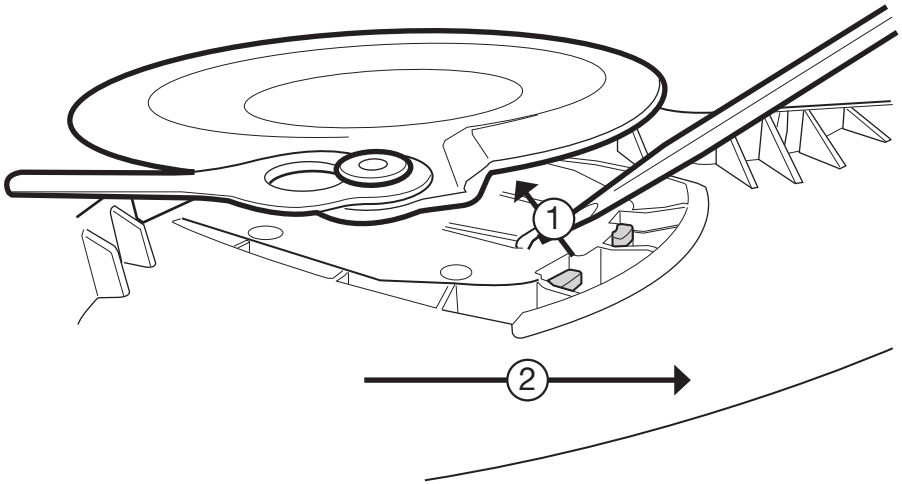
The Flower Guard can also be used to prevent blades encountering any material denser than grass. Such as lawn edging, paving, fencing or stone/wood borders. If blades come into contact with harder surfaces they may become prone to being dislodged from the blade wheel or can snap.

MAINTENANCE

If you wish to remove the Safety Guard for any reason, simply insert a flathead screwdriver into the cavity shown.

Slightly push and tilt the screwdriver (1) whilst pulling the Guard towards you at the same time (2).

Take extra care not to snap any of the Guard as this may prevent it being reattached securely for future use.





DISPOSAL INFORMATION Please recycle where facilities exist. Check with your local authority for recycling advice.

CUSTOMER SERVICE If you are having difficulty using this product and require support, please contact support@vonhaus.com

WARRANTY To register your product and find out if you qualify for a free extended warranty please go to www.vonhaus.com/warranty. Please retain a proof of purchase receipt or statement as proof of the purchase date. The warranty only applies if the product is used solely in the manner indicated in the warnings page of this manual, and all other instructions have been followed accurately. Any abuse of the product or the manner in which it is used will invalidate the warranty. Returned goods will not be accepted unless re-packaged in its original packaging and accompanied by a relevant and completed returns form. This does not affect your statutory rights. No rights are given under this warranty to a person acquiring the appliance second-hand or for commercial or communal use.

COPYRIGHT All material in this instruction manual are copyrighted by DOMU Brands. Any unauthorised use may violate worldwide copyright, trademark, and other laws.

THANK YOU

Thank you for purchasing your product/appliance. Should you require assistance with your purchase, please contact us at support@vonhaus.com

VonHaus is a registered trademark of DOMU Brands Ltd.
Made in China for DOMU Brands Ltd.
Unit 30, Stakehill Industrial Estate
Middleton, Manchester, M24 2RW

EU Authorised Representative
Authorised Representative Service
77 Camden Street Lower Dublin, D02 XE80 Ireland