

2500W 11 FIN OIL FILLED RADIATOR

Product Instructions

Product No. 2000341 / 2500888.2 / 2500887.2

vonhaus

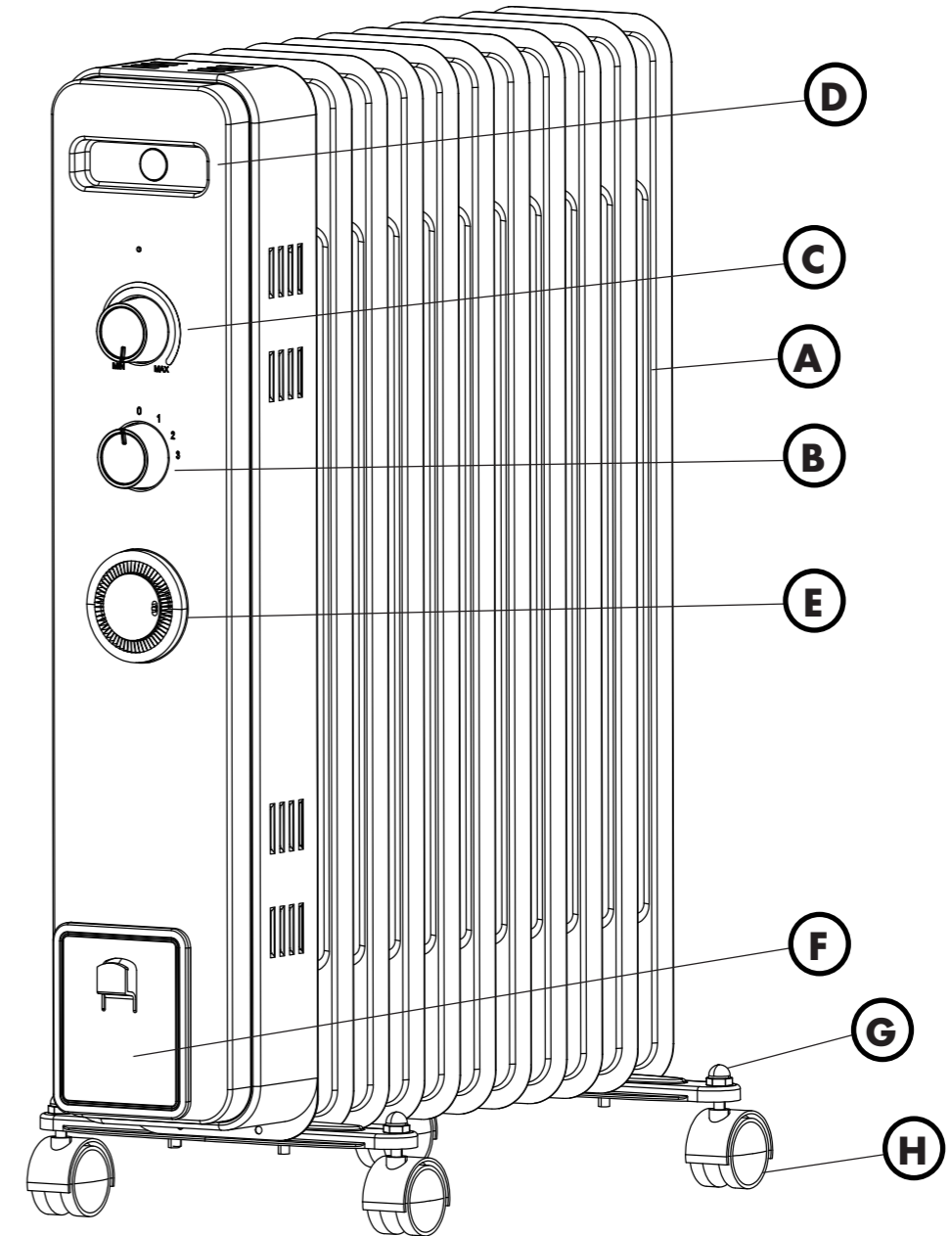
Let's get started!

Visit our product hub for useful tips and tricks on getting the most out of your new product.

SCAN ME



Components



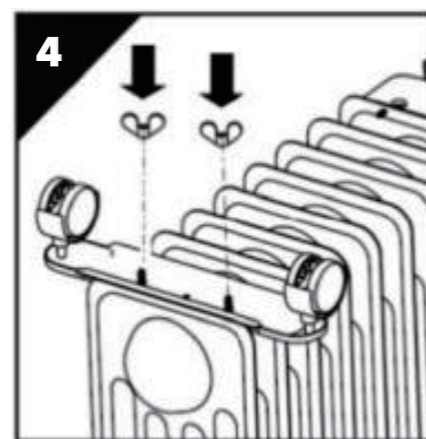
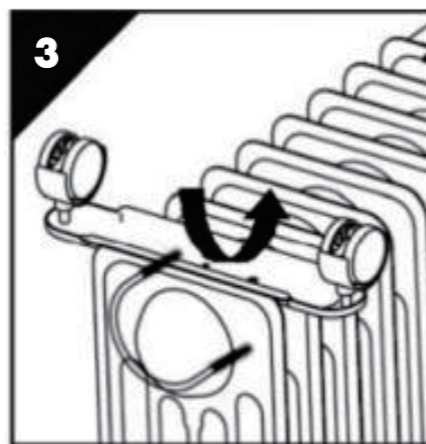
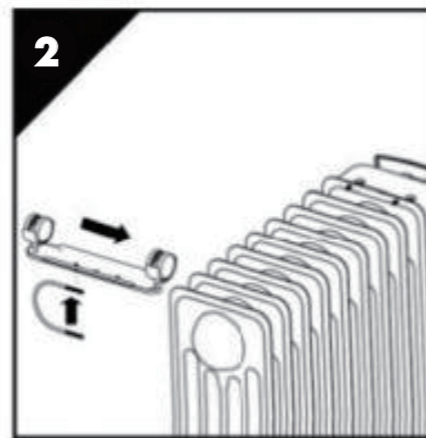
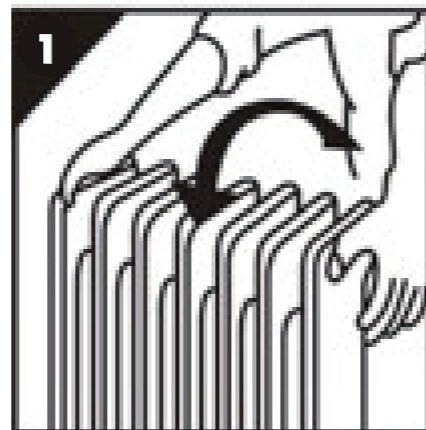
- A. Radiator Fins
- B. Power Switch
- C. Adjustable Thermostat.
- D. Front handle
- E. Timer.
- F. Cable Holder
- G. Wheel Base x2
- H. Wheels

Need further help?
support@vonhaus.com

See our full range at
www.vonhaus.com

Assembly

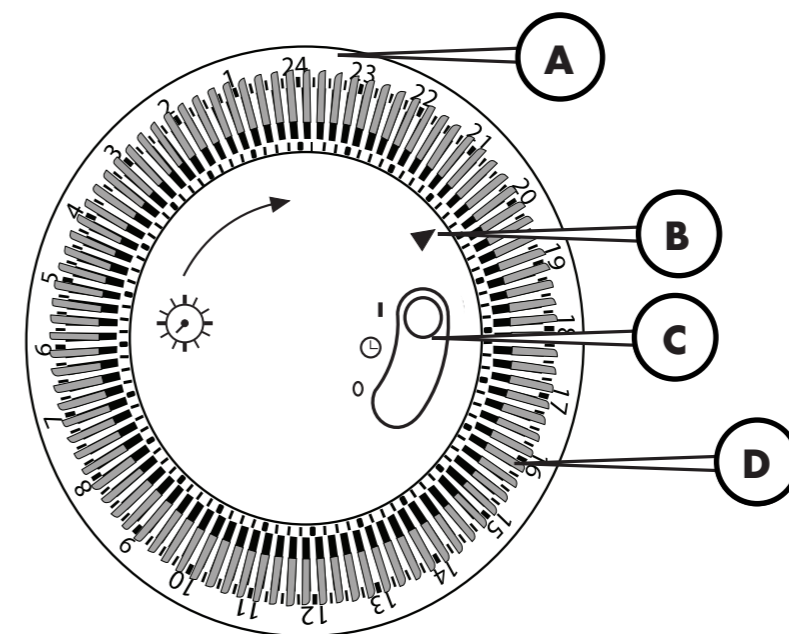
1. Turn the radiator upside-down on a scratch-free and stable surface to prevent damage to the paint finish or your floor surfacing (see Fig 1).
2. Fit the wheels assemblies onto the radiator by placing the U-shaped bolts between the outermost fins on each side of the radiator (see Fig.2-3).
3. Securely fasten the wheels assemblies onto the radiator by screwing the wing nuts onto the bolts (see Fig. 4).



Operation

1. Place the product in an upright position on a flat, steady, stable, heat-resistant surface. Make sure there is nothing flammable or heat sensitive within 1 meter (40 inches). Operating the product in any other position could cause a hazard.
2. Insert the plug into a suitable wall outlet after turning the thermostat knob counter-clockwise to the minimum position(-) and setting the power switch to "0" for off. The heater is suitable for operation on an A.C. electricity supply having the same voltage as that show on its rating label.
3. Turn the power switch from "0" to either "●" (Minimum heating), "●●" (Medium heating) or "●●●" (Maximum heating).
4. Turn the thermostat knob clockwise to maximum position(+). When the room temperature rises to a comfortable level, slowly turn thermostat counter-clockwise until the indicator light just goes out. To adjust the room temperature turn the thermostat clockwise to raise the temperature, or counter-clockwise to lower it. Thus the heater will attempt to keep the room temperature at the desired level.
5. To turn off the heater, set the power switch to "0" position. Unplug the product from the electrical outlet when it is left unattended or is not in use.

Timer



- A. Clock (24 hour)
- B. Live time arrow
- C. Timer switch
- D. Segments

Timer Setting Operation

Note: This is a 24 hours timer. There are 96 segments, each segment represents 15 mins.

1. Firstly, turn the clock "A" clockwise to align with arrow "B" to match the current time.
2. Segments which are pushed outwards will represent the time where the heater will be turned ON. Segments which are pushed inwards will represent the time where the heater will be turned OFF.

Note: To set the heater to turn on at 8pm and turn off at 9pm, push 4 segments between 20 and 21 outwards (Fig 1).

3. Move the timer switch to symbol "⊙" to enable the timer (Fig 2).
4. If the timer switch is set at "1" position, the unit starts working non-stop ignoring any timer setting. If the timer switch is set at "0" position, the unit stays off ignoring any timer setting.

Note: The timer setting does not reset itself after the Unit has been switched off, but any time you unplug the Unit, the clock stops updating the live time and at next turn-on the live time must be set again as indicated in point "1".

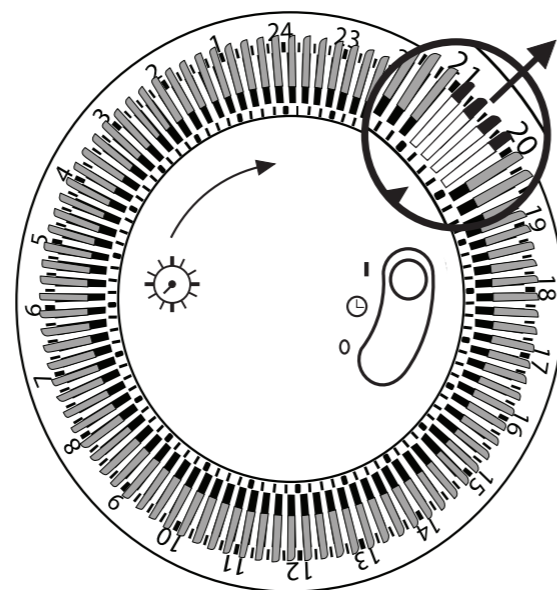


Fig 1

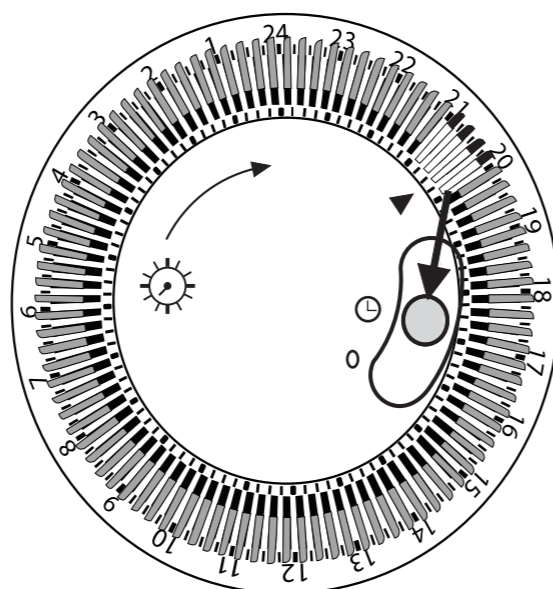


Fig 2

Information

Important Safety Notice

This product is **not suitable for use by children** or by individuals with **physical, sensory, or mental impairments** that may limit their ability to operate the equipment safely, **unless** they have been given supervision or instruction concerning the safe use of the product by a person responsible for their safety.

Failure to follow all instructions and safety warnings may result in electric shock, fire, or serious injury.

General Safety

Do not allow this appliance to be used as a toy. Children should be supervised at all times to ensure they do not play with it.

If the appliance is not functioning properly, has been dropped, damaged, left outdoors or immersed in liquid, do not use it. Contact our customer services department at support@vonhaus.com

Do not use the appliance if any parts appear to be faulty, missing or damaged.

Ensure all parts are securely attached as instructed in this manual before use.

This appliance is intended for indoor domestic use only.

Do not use in bathrooms, shower rooms, or areas with high humidity.

Cables and Plugs

Check to ensure your electricity supply matches that shown on the rating plate. This product should only be used as rated. Preferably, the socket outlet should be protected by a Residual Current Device RCD (UK/EU) Ground Fault Indicator (US).

Do not use with a damaged cable or plug. If the supply cable is damaged, it must be replaced by a qualified engineer or authorised service agent in order to avoid a hazard. The use of an extension cable is not recommended.

Do not handle the plug or appliance with wet hands.

Keep the cable away from heated surfaces.

Do not let the cable hang over the edge of the table or countertop where it could be pulled on inadvertently by children or pets.

Do not pull the cable around sharp edges or corners.

Do not leave unattended when plugged in.

Unplug from outlet when not in use.

Turn off all controls before unplugging.

Do not unplug by pulling on the cable. To unplug, grasp the plug, not the cable.

Always unplug before performing user maintenance, connecting or disconnecting attachments, or changing accessories.

Ensure the cable is stored safely to prevent hazards.

Risk of Personal Injury

Always place the appliance on a firm, flat, heat-resistant surface, away from the edge of the worktop, with sufficient space around all sides. Do not insert any objects into the openings or cover the appliance.

Keep away from curtains, furniture, and flammable materials

Do not place or dry clothing, towels, or any materials on or near the appliance. Do not use near combustible surfaces, outdoors, or near other heat sources.

Do not use the heater to dry laundry. Ensure all air vents are kept clear and unobstructed. Never operate inside cupboards or enclosed spaces.

Take care not to touch surfaces that may become hot during use or remain hot for a

Information

period after use. Never operate the appliance when empty and do not overload or overfill it.

When using the appliance for the first time, it may produce a 'new' smell or slight vapour — this is normal and will dissipate after a few uses. Do not lift or move the appliance whilst in use. Do not operate continuously for extended periods without supervision. Always switch off and unplug before cleaning or changing accessories. Use only as described in this manual and with Vonhaus recommended attachments.

Always switch off and unplug when not in use. Do not use if air vents are blocked.

Safety features

This Radiator is fitted with an overheat protection switch (thermal cut-out) which will power off the appliance automatically in case of overheating. Should this occur, unplug the appliance and allow to cool fully for approximately 30 minutes.

Follow the operation instructions to restart the appliance after removing the source of the overheating (poor ventilation, item covering the Radiator etc.). The Radiator should function normally. Should the problem persist, please contact customer services.

To avoid damage and to regulate the temperature, this Radiator is fitted with a thermostatic safety device. The safety device will activate and cut out the power to the Radiator once a certain temperature is reached. The Radiator will start again once the temperature has lowered. The Radiator is also fitted with a tip switch which will cut off the power to the Radiator if it is knocked over. Should this happen, disconnect at the mains and allow to cool fully before attempting to move the Radiator. Inspect the Radiator for damage. If - and only if - the Radiator is free from damage, plug back into the mains. The

Radiator should function normally.

Maintenance

Caution: Switch off the Radiator and disconnect the from the power socket. Wait for the Radiator to cool completely before cleaning.

Vacuum-clean the Vents to remove dust from these areas. To remove dust on external surfaces, wipe the Radiator with a damp (not wet) lint-free cloth rinsed in hot soapy water only.

Caution: Do not use any harsh detergent or abrasive cleaners.

Warning! Do not spray with liquids or submerge in any liquid or water.

Warning! Do not attempt to clean the inside of the Radiator. Do not attempt to open the casing at any time. There are no user-serviceable parts.

Troubleshooting

Radiator will not power on

Ensure the Radiator is switched on and connected to mains power. Activate the Power Selector Switches and Thermostat Knob. Check the fuse by replacement.

The radiator is not heating up

Check that the Radiator is plugged in and switched on at the mains outlet. Make sure that the Radiator has not gone into overheat protection mode. The Vents may require need cleaning.

The radiator becomes damaged

Do not use and contact customer services.

Technical Specifications

Rated Voltage: 220–240V

Rated Power: 2500W

Rated Frequency: 50Hz

Information



Please read all instructions before use



Do not immerse in water



Do not cover



Do not use outdoors



WARNING: Hot surfaces



WARNING: Keep children and pets away from the heater during use



WARNING: Risk of fire if instructions are not followed



Suitable for well-insulated spaces or occasional use only



This appliance has a thermal cut-out switch. If the appliance overheats, it will shut down automatically. Unplug and allow to cool for 15 minutes before restarting

Information

Model		2000341 / 2500888.2					
Item	Symbol	Value	Unit	Item	Unit		
Heat Output				Type of heat input for Electrical Storage Heaters only (select one)			
Nominal Heat Output	P_{nom}	0.9378	kW	Manual heat charge control with integrated thermostat.	no		
Minimum Heat Output (indicative)	P_{min}	0.4553	kW	Manual heat charge control with room and/or outdoor temperature feedback.	no		
Maximum Continuous Heat Output	P_{max}	0.9378	kW	Electronic heat charge control with room and/or outdoor temperature feedback	no		
Auxiliary electricity consumption				Fan assisted heat output			
At nominal heat output	EL_{max}	N/A	kW	Type of heat output/room temperature control (select one)			
At minimum heat output	EL_{min}	N/A	kW	Single stage heat output and no room temperature control	no		
In standby mode	EL_{SB}	N/A	kW	Two or more manual stages, no room temperature control	no		
				With mechanical thermostat room temperature control	yes		
				With electronic room temperature control	no		
				Electronic room temperature control plus day timer	no		
				Electronic room temperature control plus week timer	no		
				Other control options (multiple selections possible)			
				room temperature control with presence detection	no		
				room temperature control with open window detection	no		
with distance control option	no						
with adaptive start control	no						
with working time limitation	no						
with black bulb sensor	no						
Contact Details		DOMU Brands Ltd., Unit 30, Stakehill Industrial Estate, Middleton, Manchester, M24 2RW					

Information

Customer Service

If you are having difficulty using this product and require support, please contact support@vonhaus.com

Warranty

To register your product and find out if you qualify for a free extended warranty please go to www.vonhaus.com/warranty

Please retain a proof of purchase receipt or statement as proof of the purchase date.

The warranty only applies if the product is used solely in the manner indicated in the warnings page of this manual, and all other instructions have been followed accurately.

Any abuse of the product or the manner in which it is used will invalidate the warranty.

Returns

Returned goods will not be accepted unless re-packaged in its original packaging and accompanied by a relevant and completed returns form. This does not affect your statutory rights.

No rights are given under this warranty to a person acquiring the appliance second-hand or for commercial or communal use.

Copyright

All material in this instruction manual are copyrighted by DOMU Brands.

Any unauthorised use may violate worldwide copyright, trademark, and other laws.

Thank You

Thank you for purchasing your product/appliance.

Should you require assistance with your purchase, please contact us at support@vonhaus.com

Vonhaus is a registered trademark of DOMU Brands Ltd.

Made in China for DOMU Brands Ltd.
Unit 30, Stakehill Industrial Estate
Middleton, Manchester, M24 2RW

EU Authorised Representative

Authorised Representative Service
77 Camden Street Lower
Dublin, D02 XE80
Ireland

Let's get started!

Visit our product hub for useful tips and tricks on getting the most out of your new product.

SCAN ME

