

# AMERICAN STYLE BBQ WITH 1 SHELF

## Product Instructions

Product No. 2502126

**vonhaus**

## Let's get started!

Visit our product hub for useful tips and tricks on getting the most out of your new product.

SCAN ME

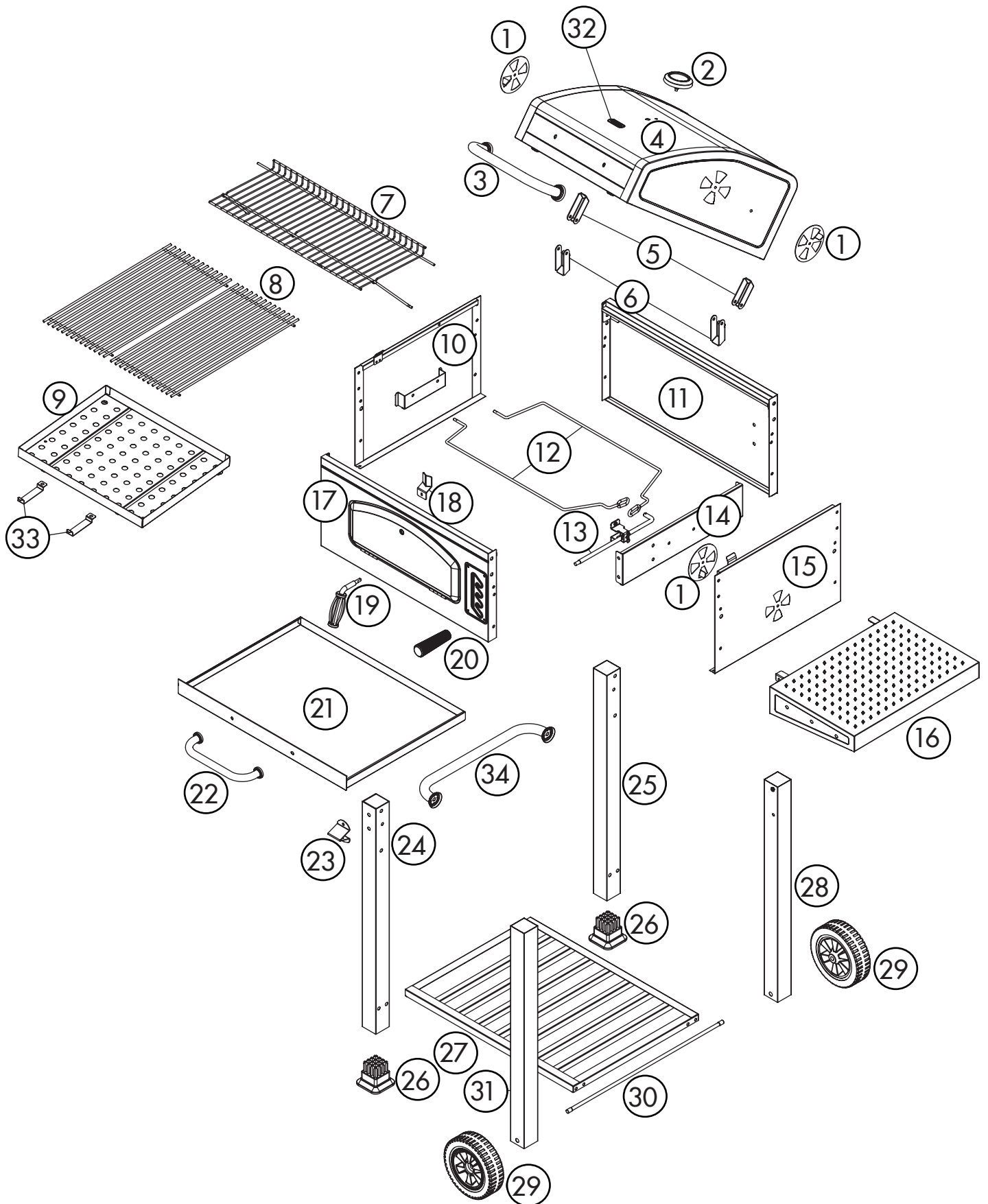


90 Mins

**Need further help?**  
[support@vonhaus.com](mailto:support@vonhaus.com)

**See our full range at**  
[www.vonhaus.com](http://www.vonhaus.com)

# Components



# Components

---



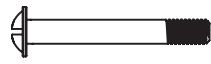
A  
(x7)



B  
(x34)



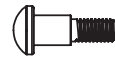
C  
(x8)



D  
(x2)



E  
(x2)



F  
(x3)



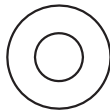
G  
(x1)



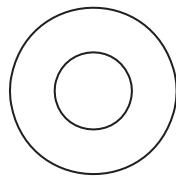
H  
(x2)



I  
(x3)



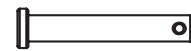
J  
(x4)



K  
(x1)



L  
(x1)



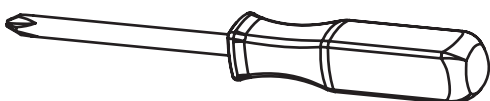
M  
(x2)



N  
(x5)

## Tools Included

---



Screwdriver (x1)

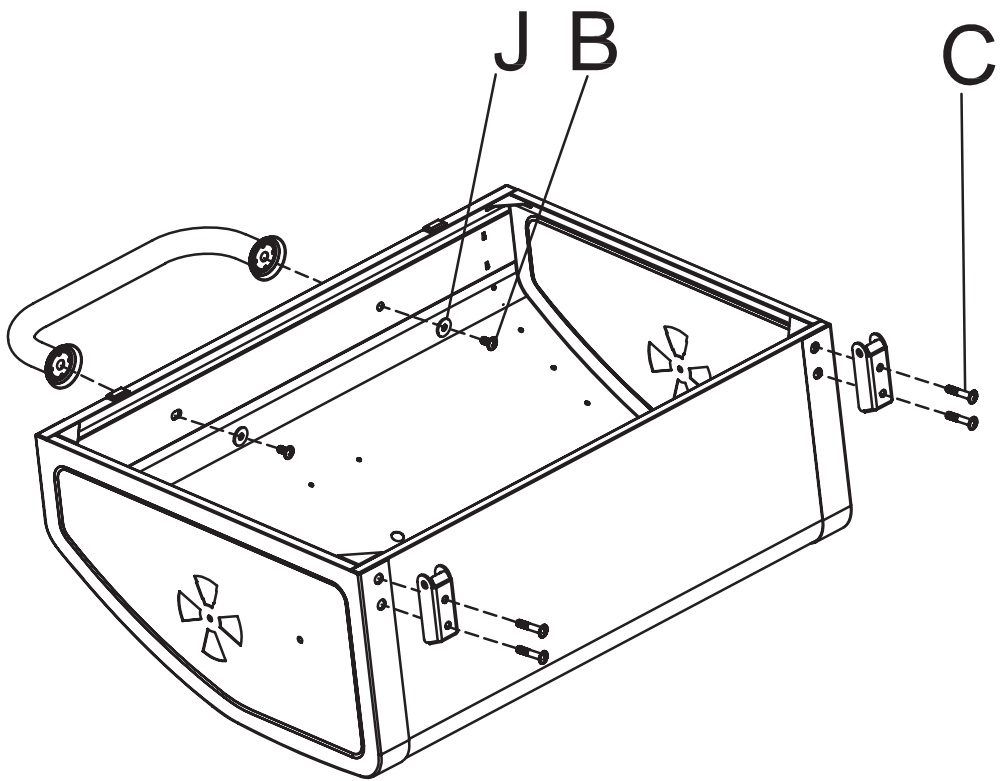


Wrench (x2)

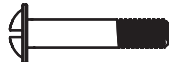
# Assembly

---

1



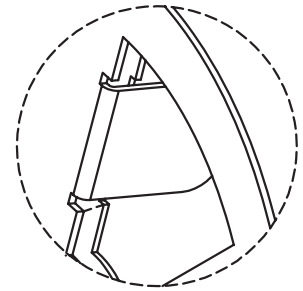
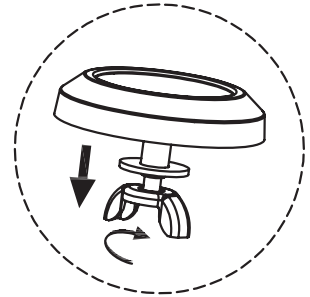
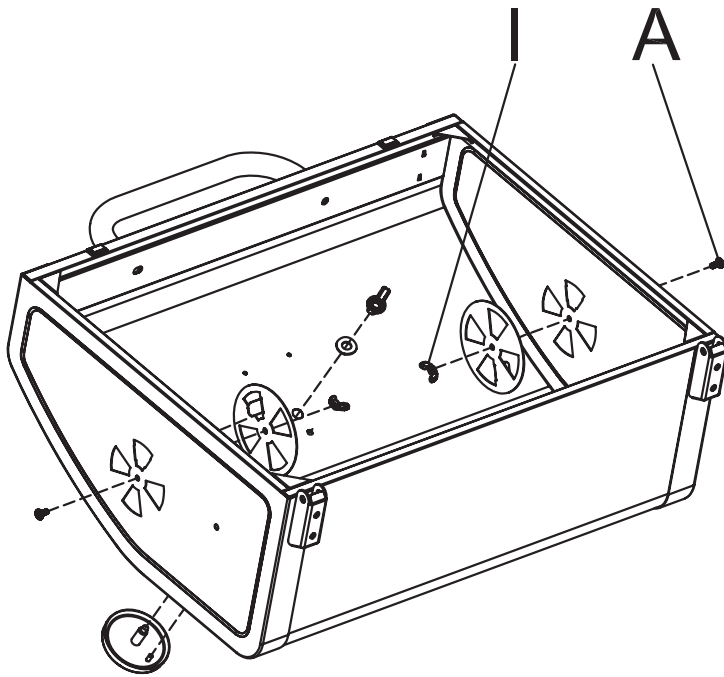
B  X2


C  X4

J  X2

# Assembly

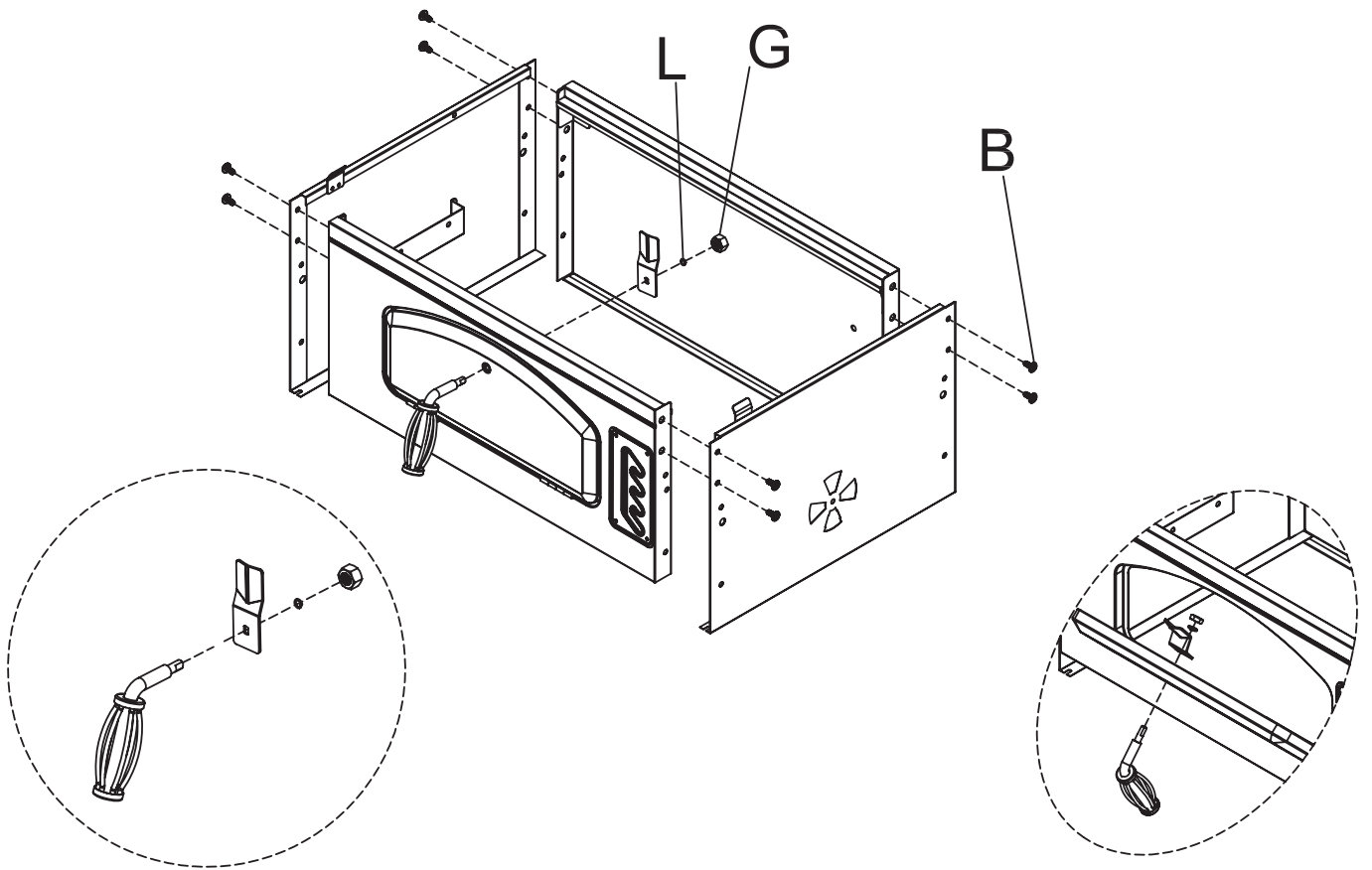
2



A  X2      I  X2

# Assembly

3



B



X8

G



X1

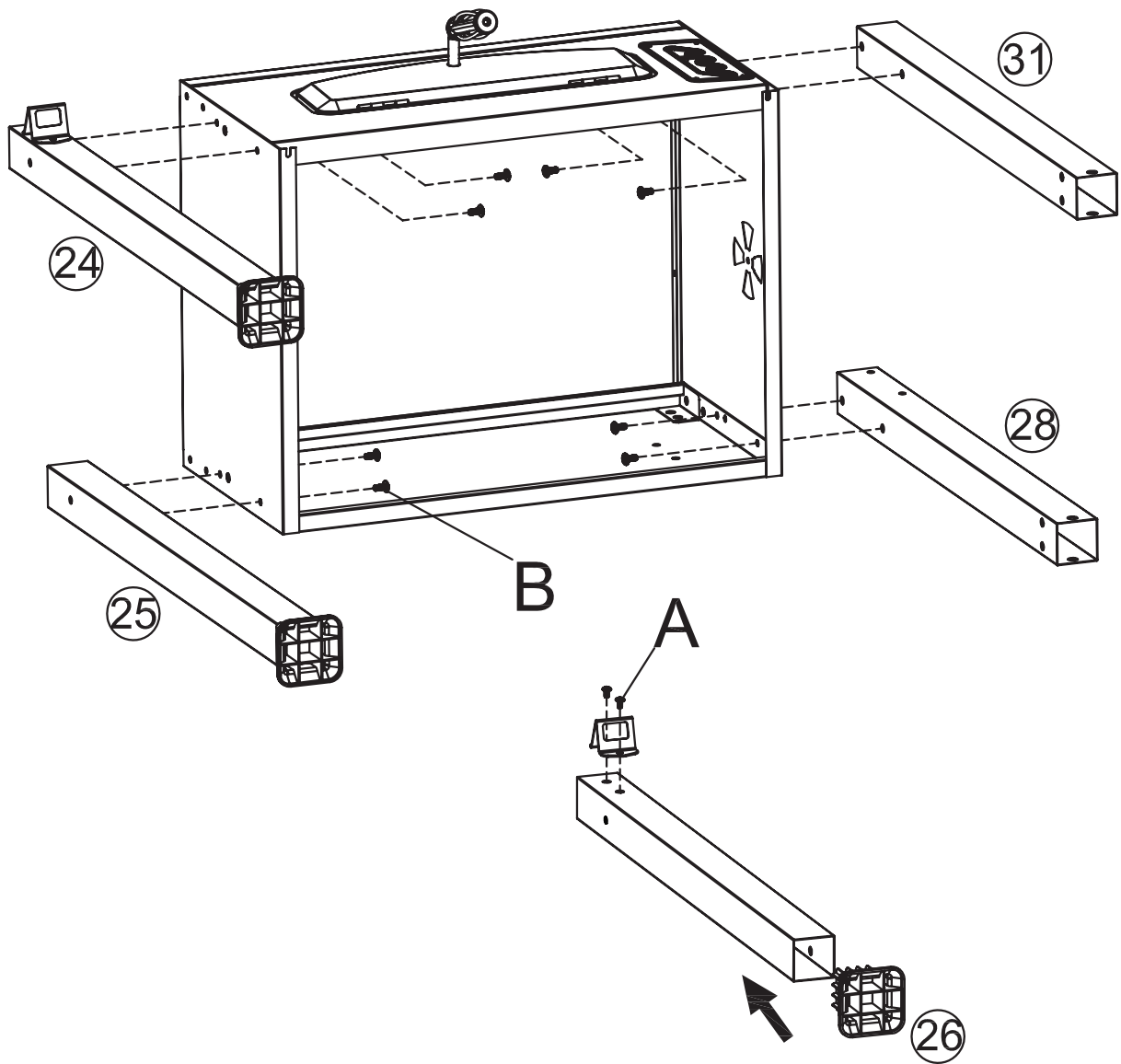
L



X1

# Assembly

4

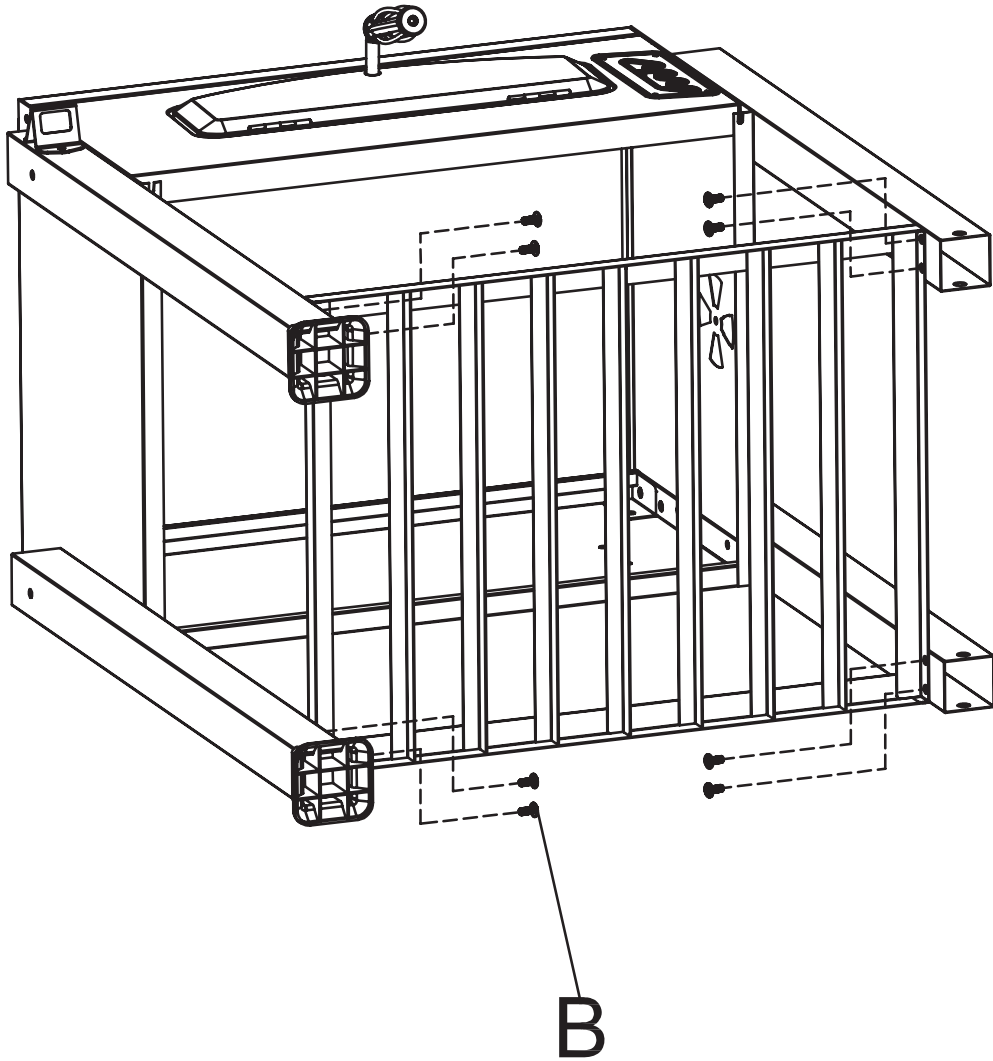


B  X8

A  X2

# Assembly

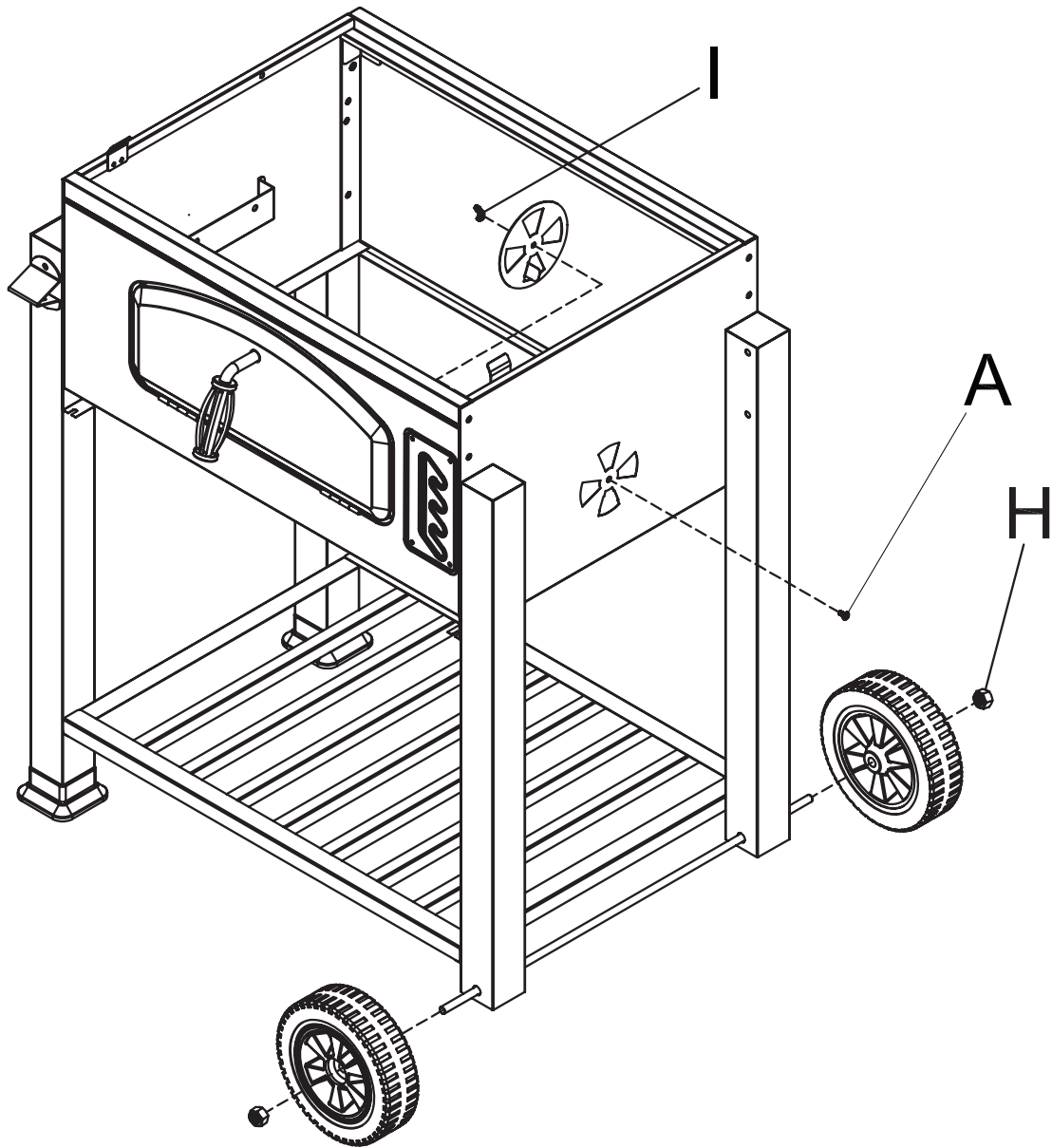
5



B  X8

# Assembly

6



A



X1

H



X2

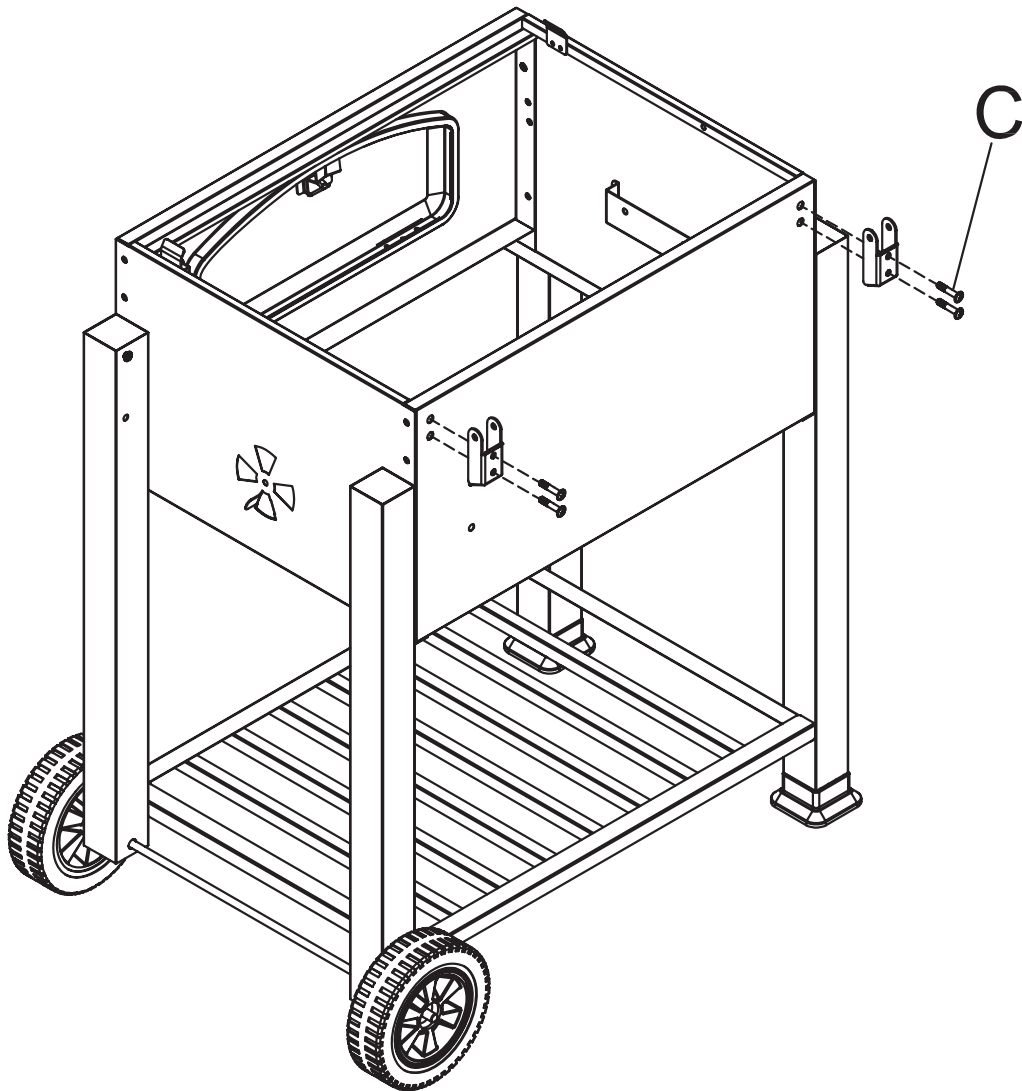
I




X1

# Assembly

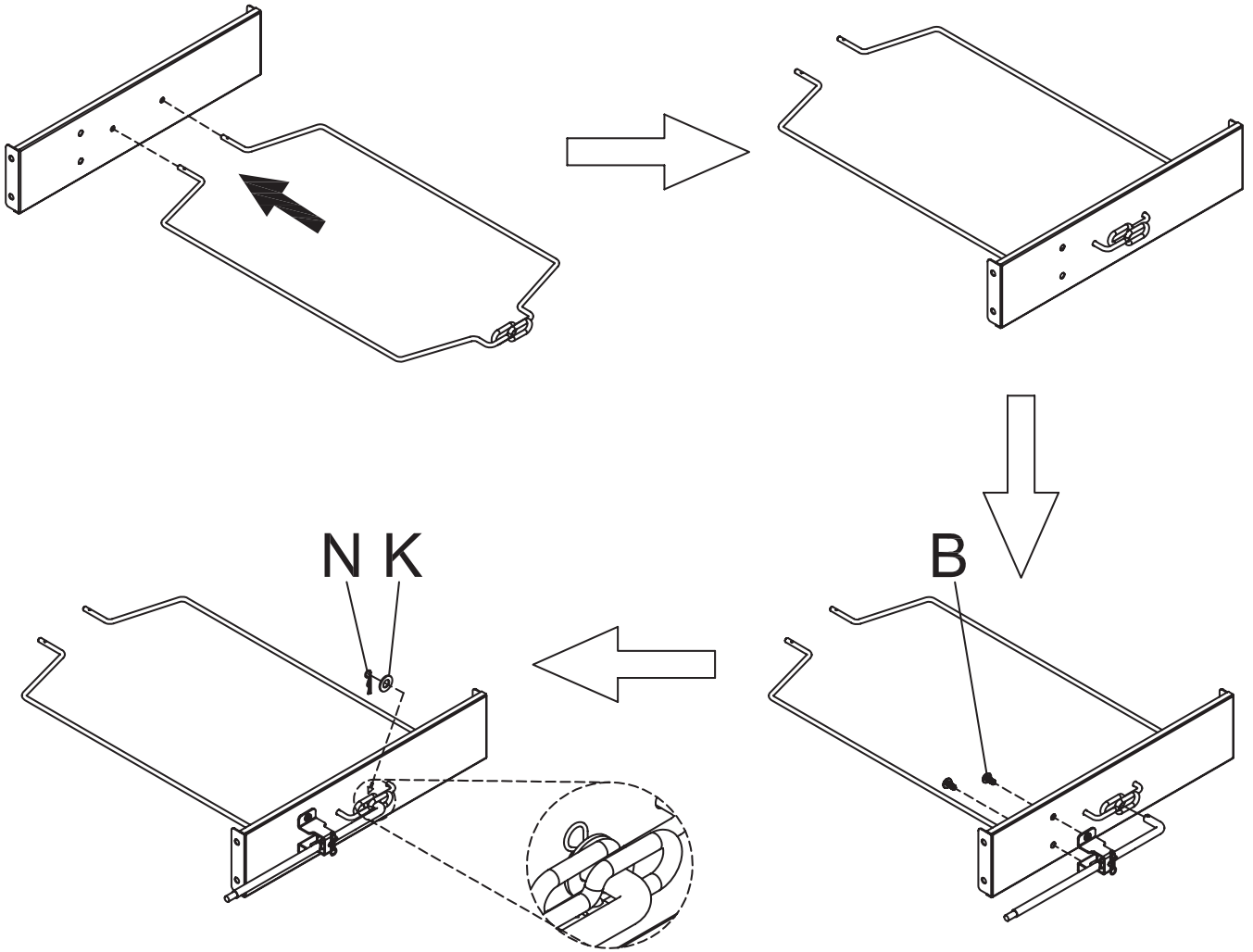
7



C  X4

# Assembly

8

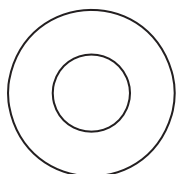


B



X2

K



X1

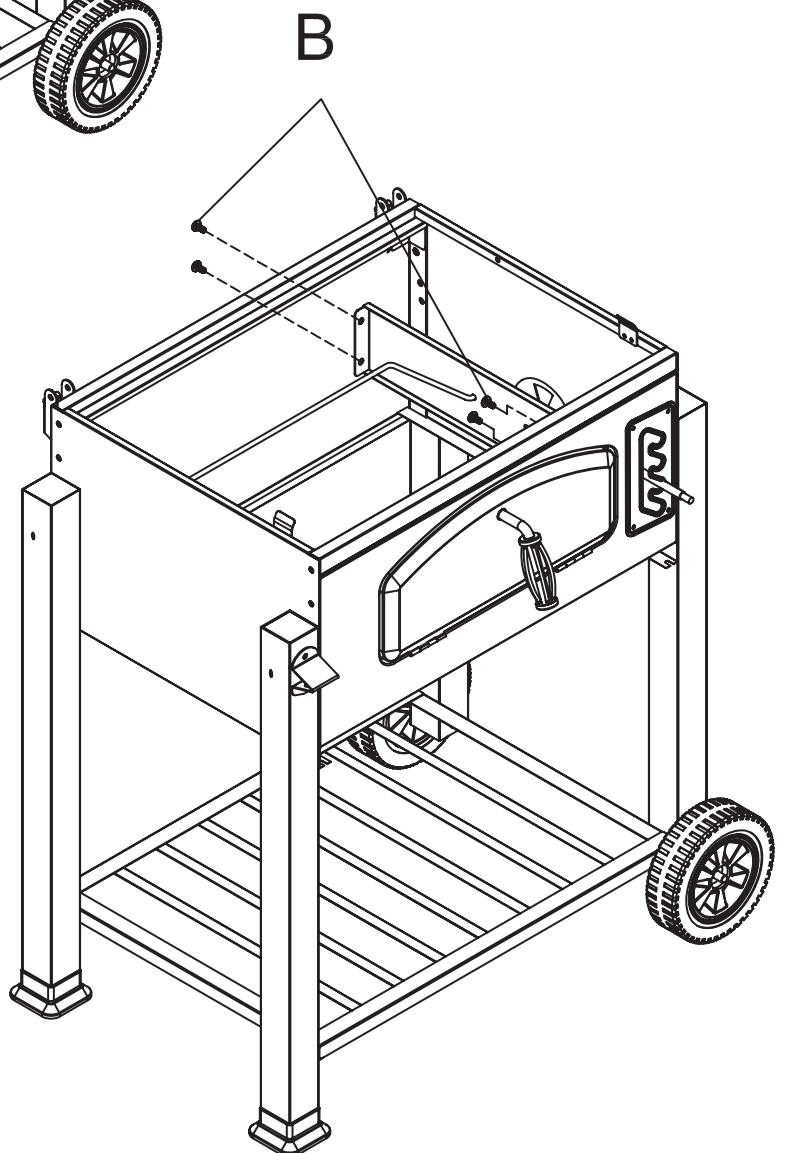
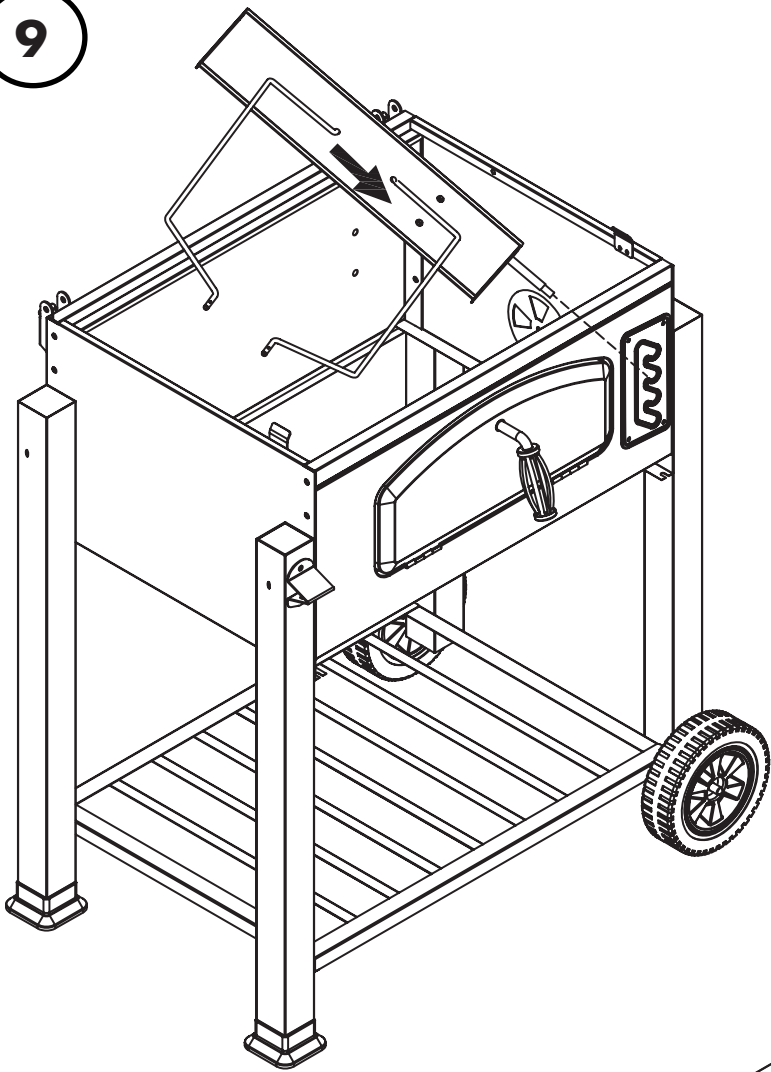
N



X1

# Assembly

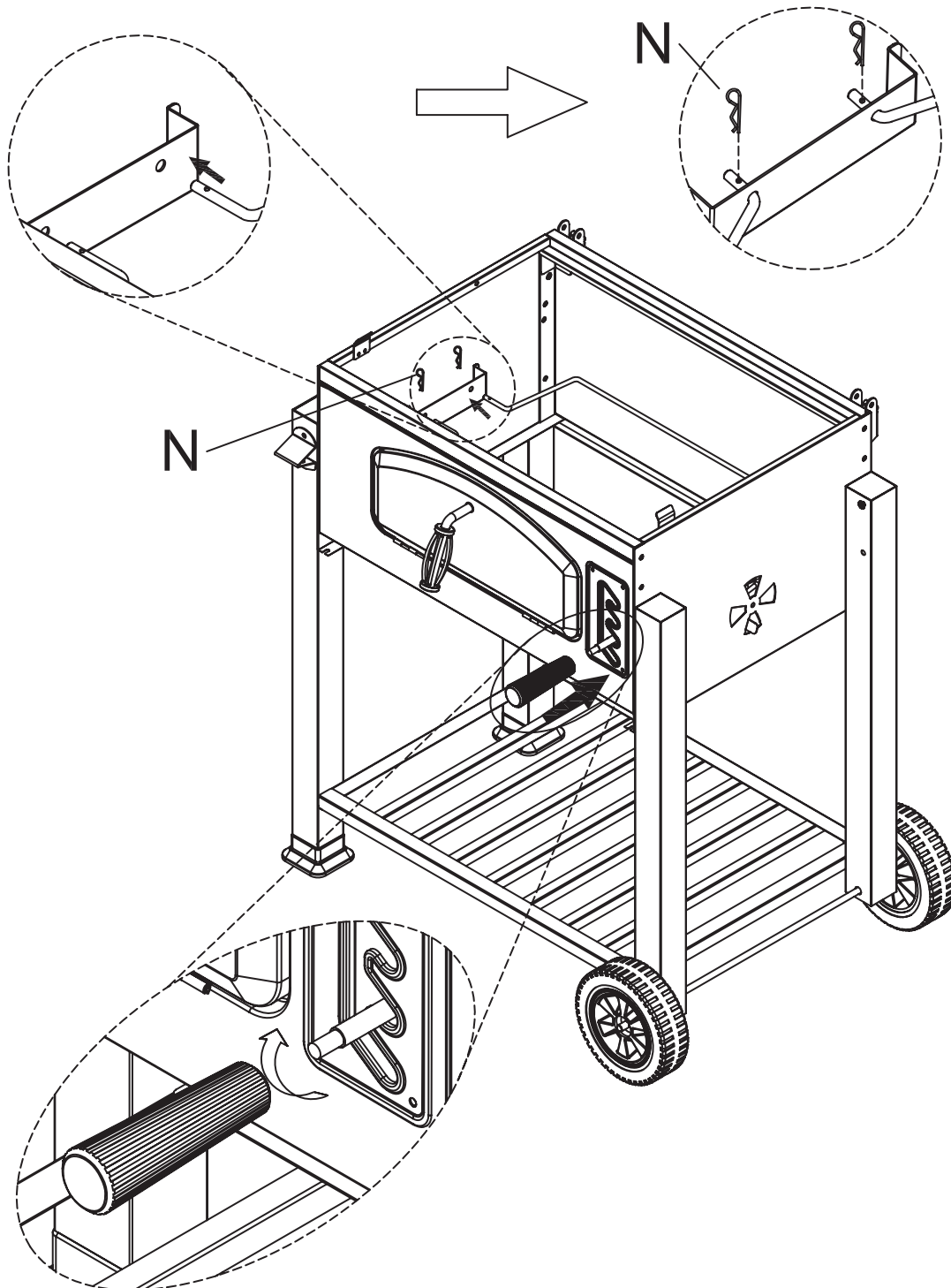
9



B  X4

# Assembly

10



N

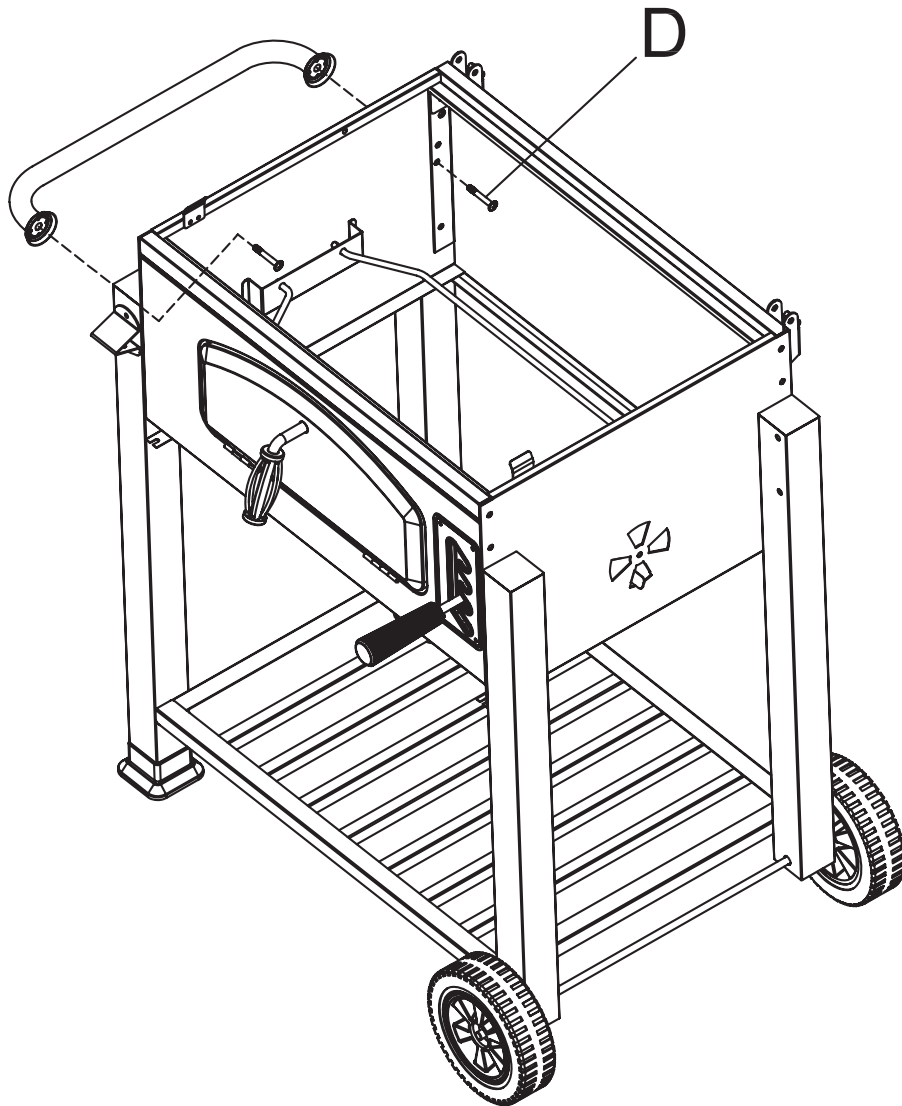


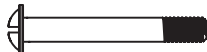
X2

# Assembly

---

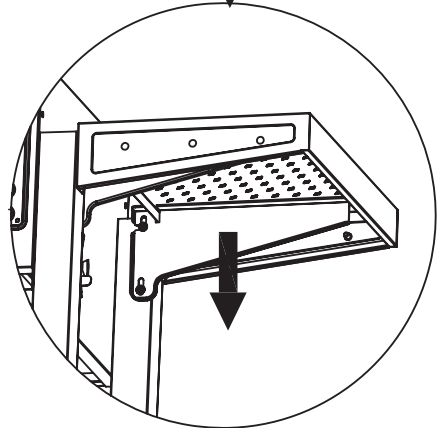
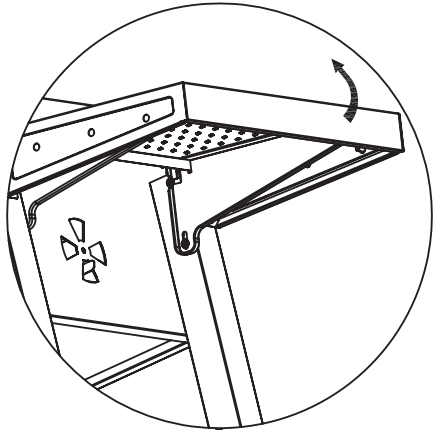
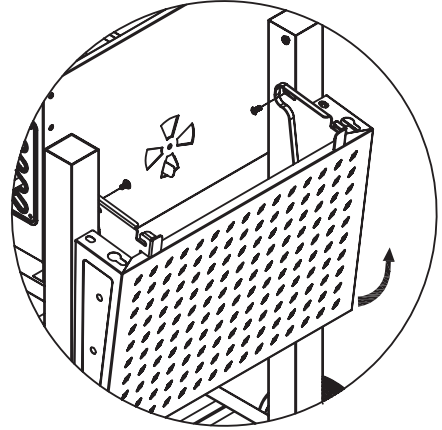
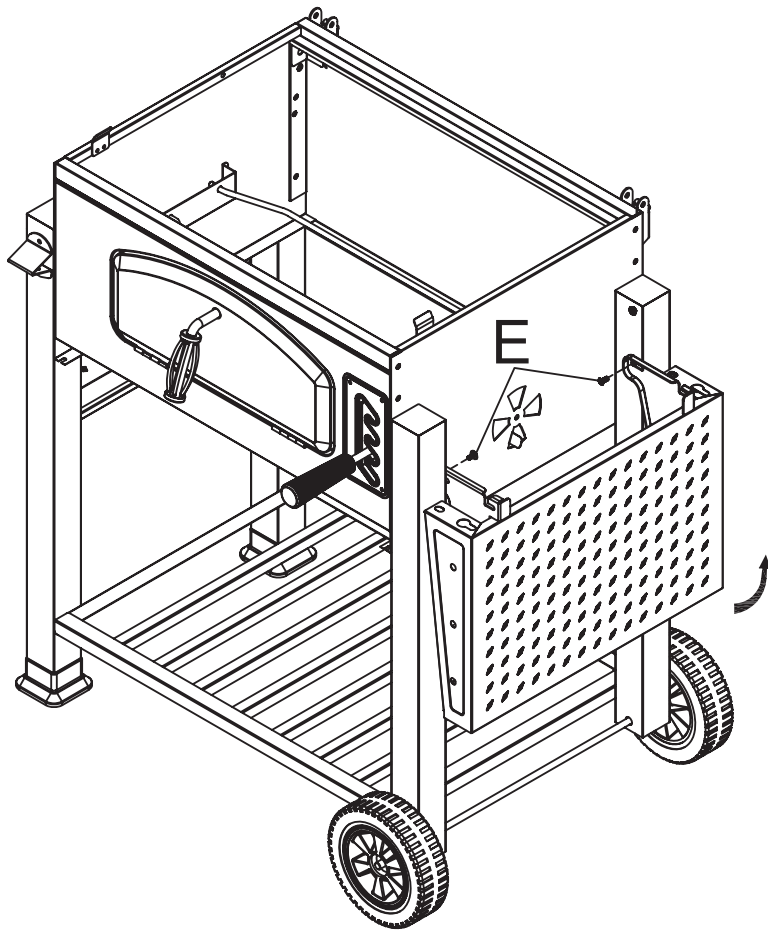
11



D  X2

# Assembly

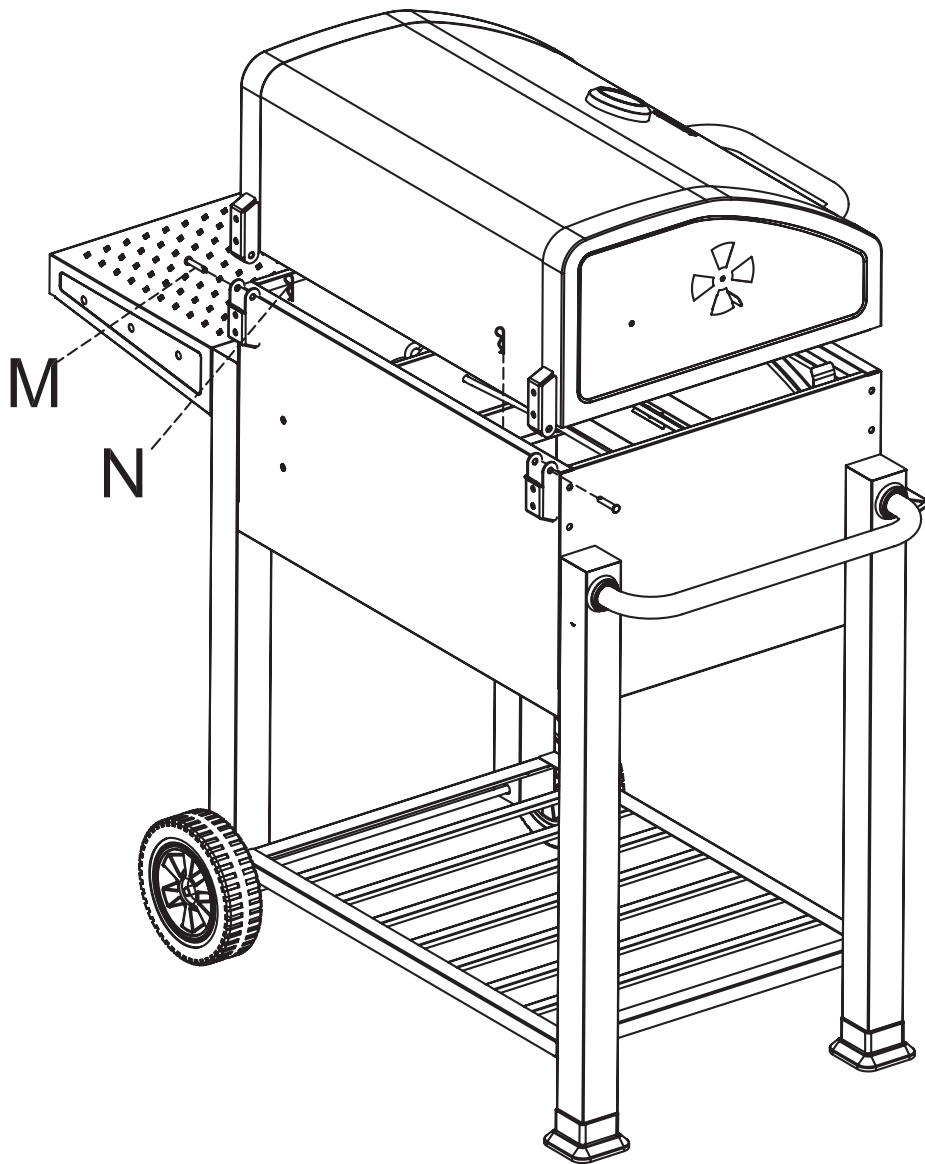
12

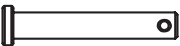


E  X2

# Assembly

13

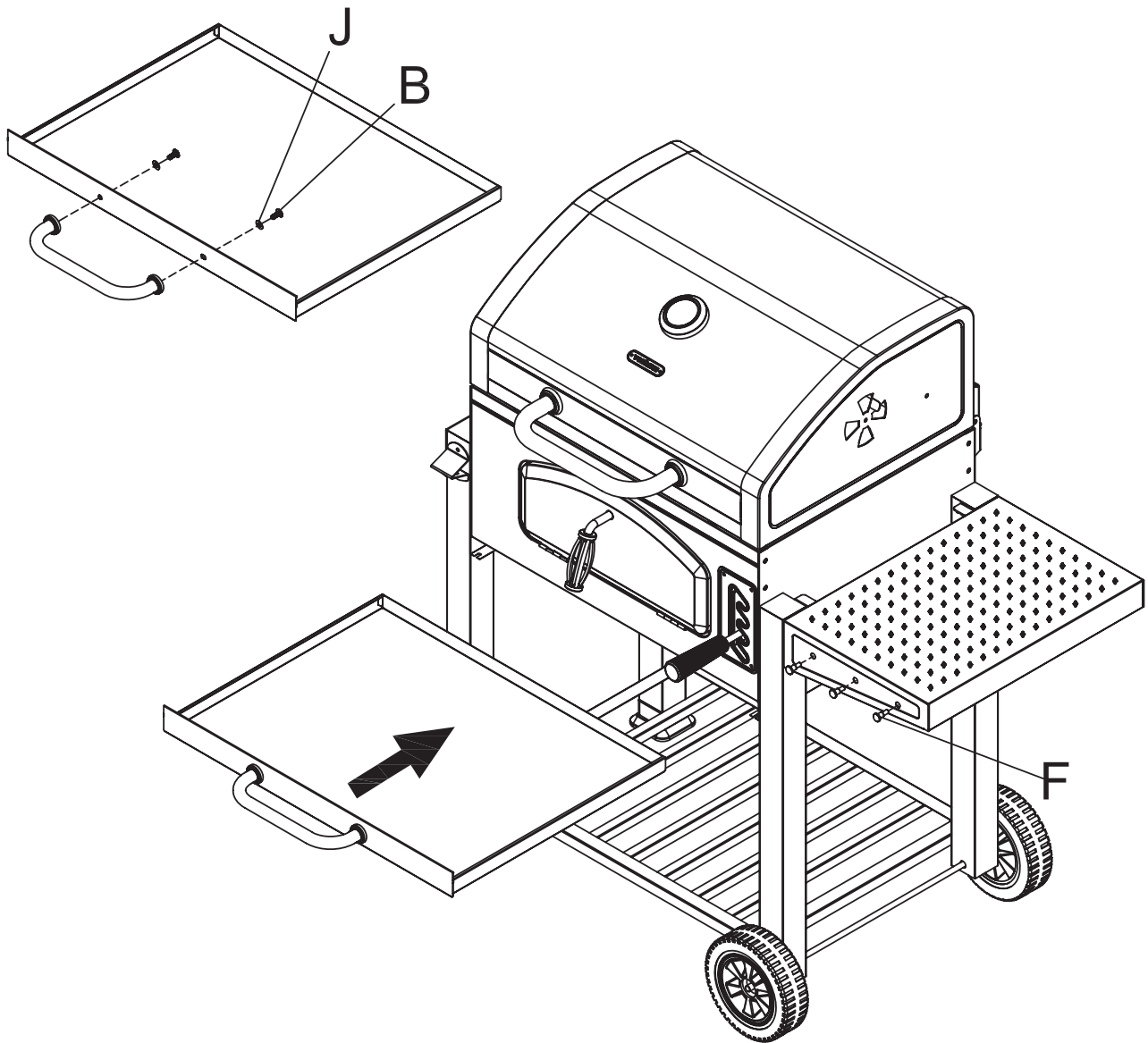


M  X2

N  X2

# Assembly

14



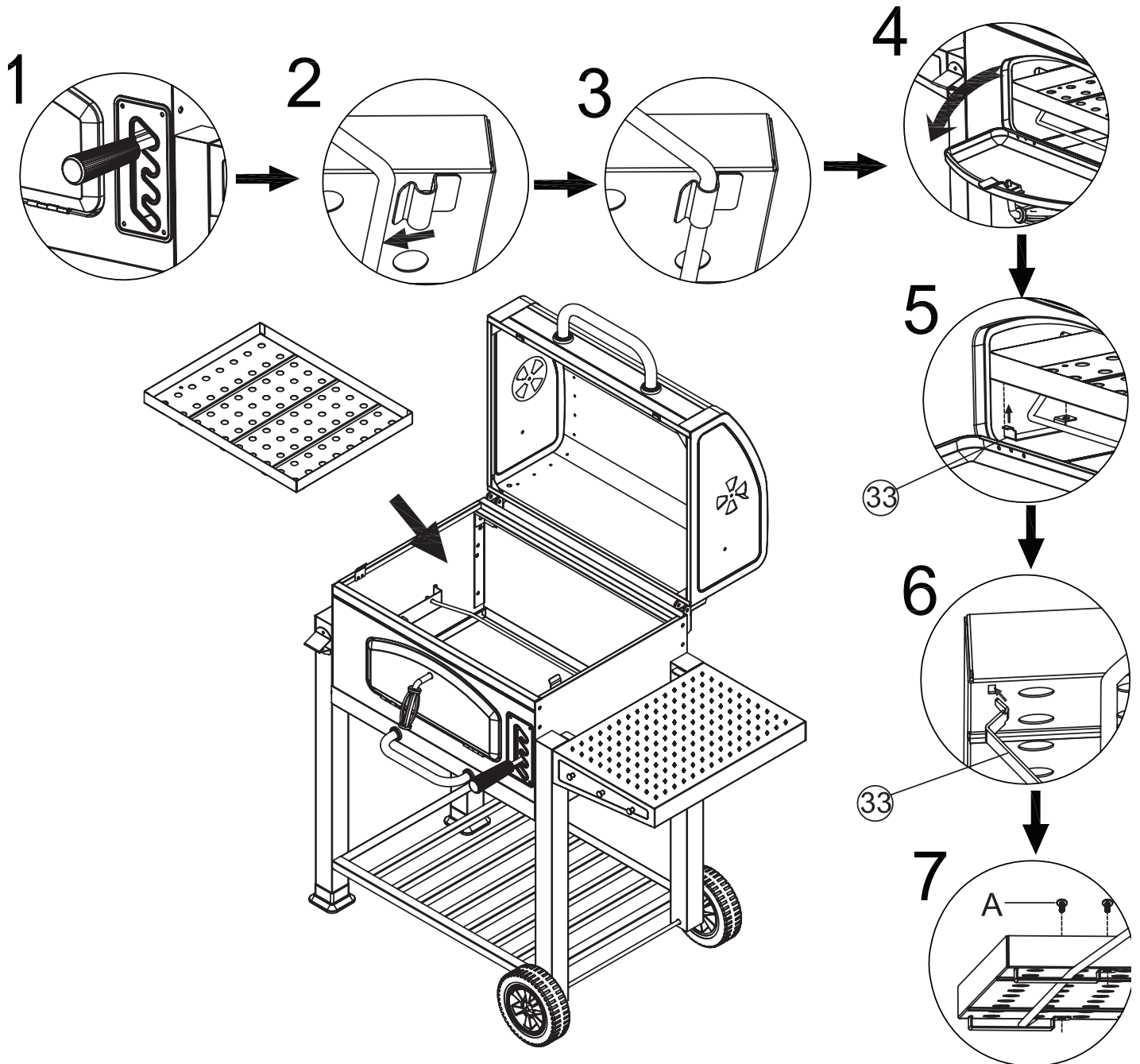
B  X2

J  X2

F  X3

# Assembly

15

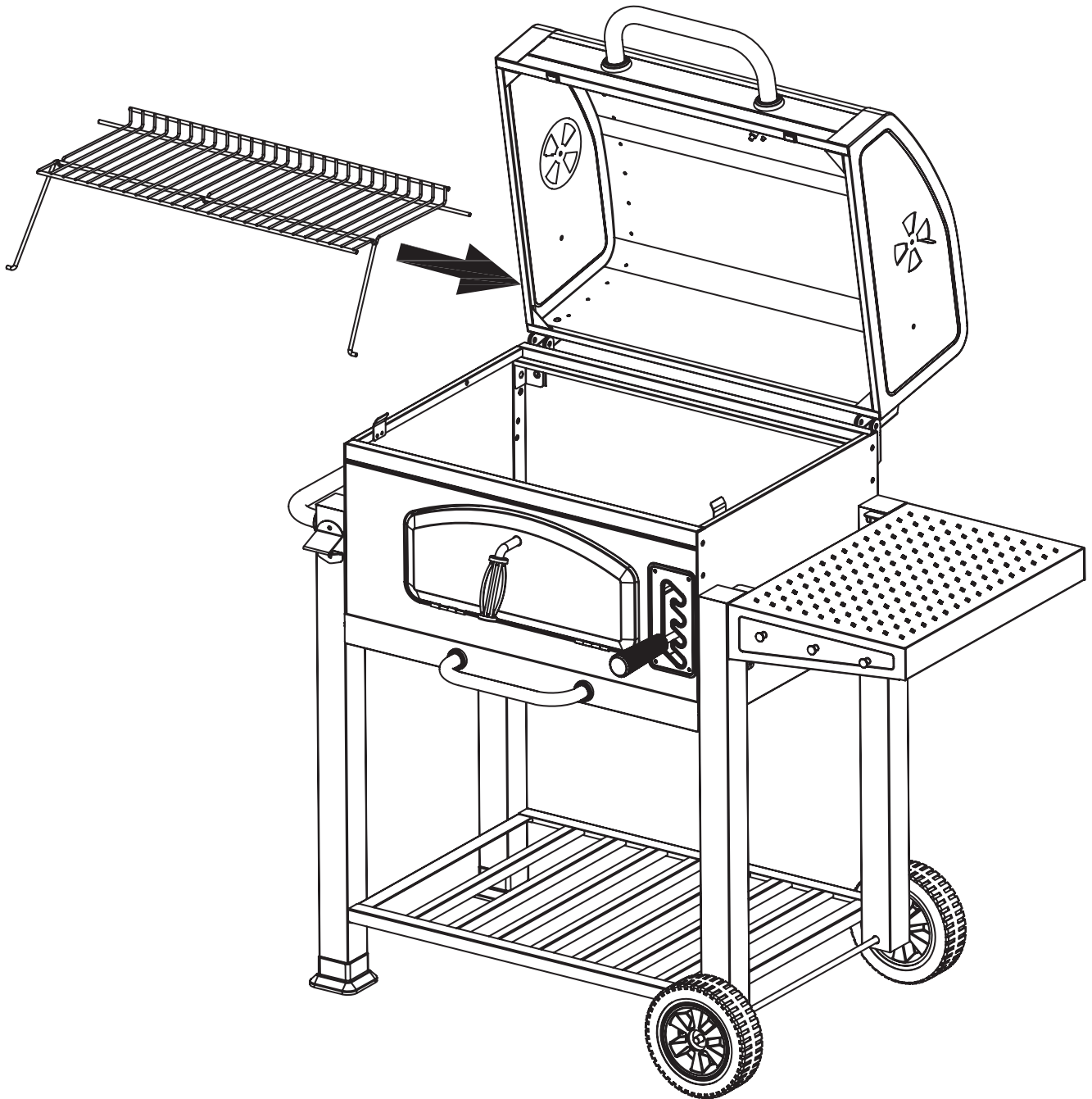


A x2

# Assembly

---

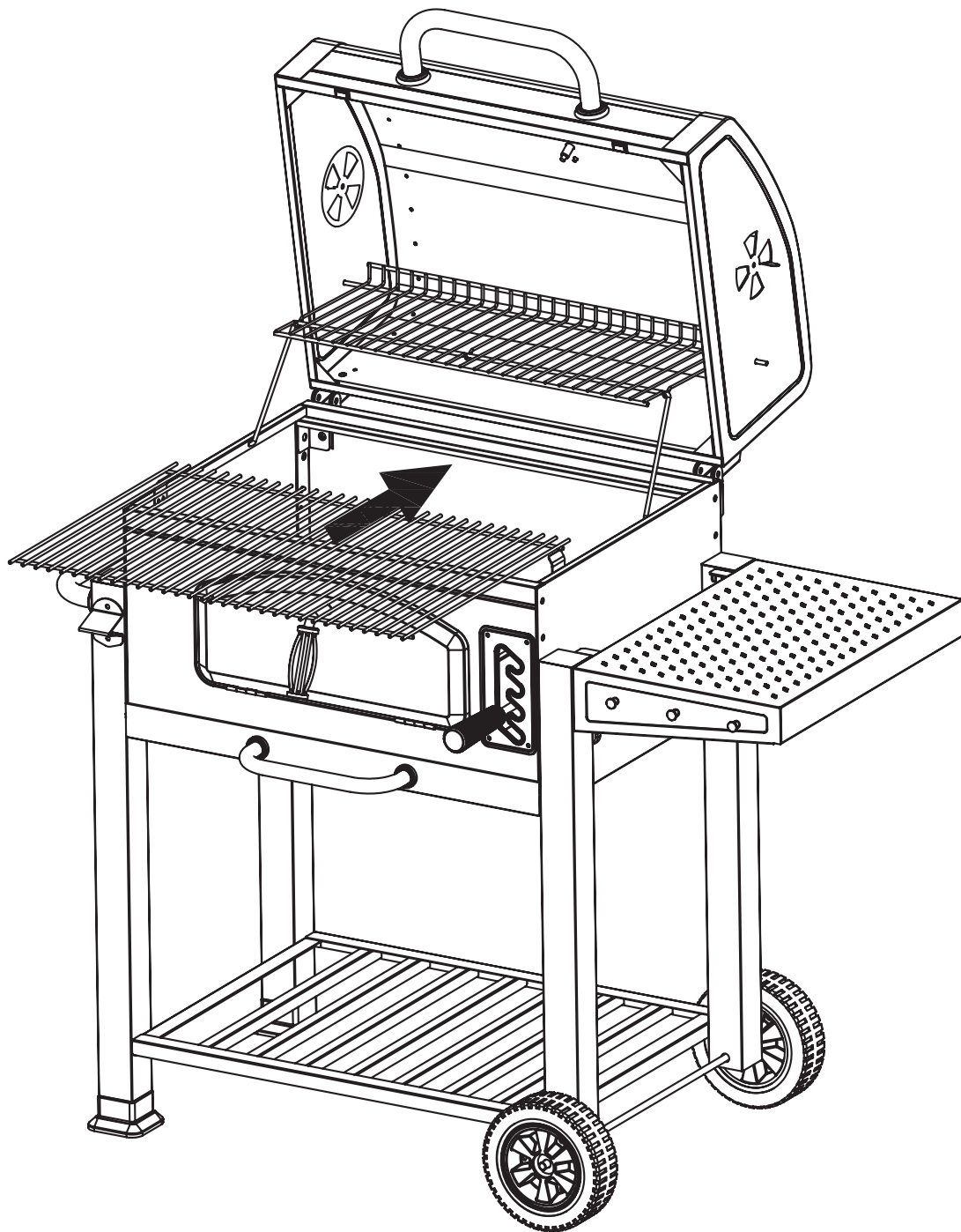
16



# Assembly

---

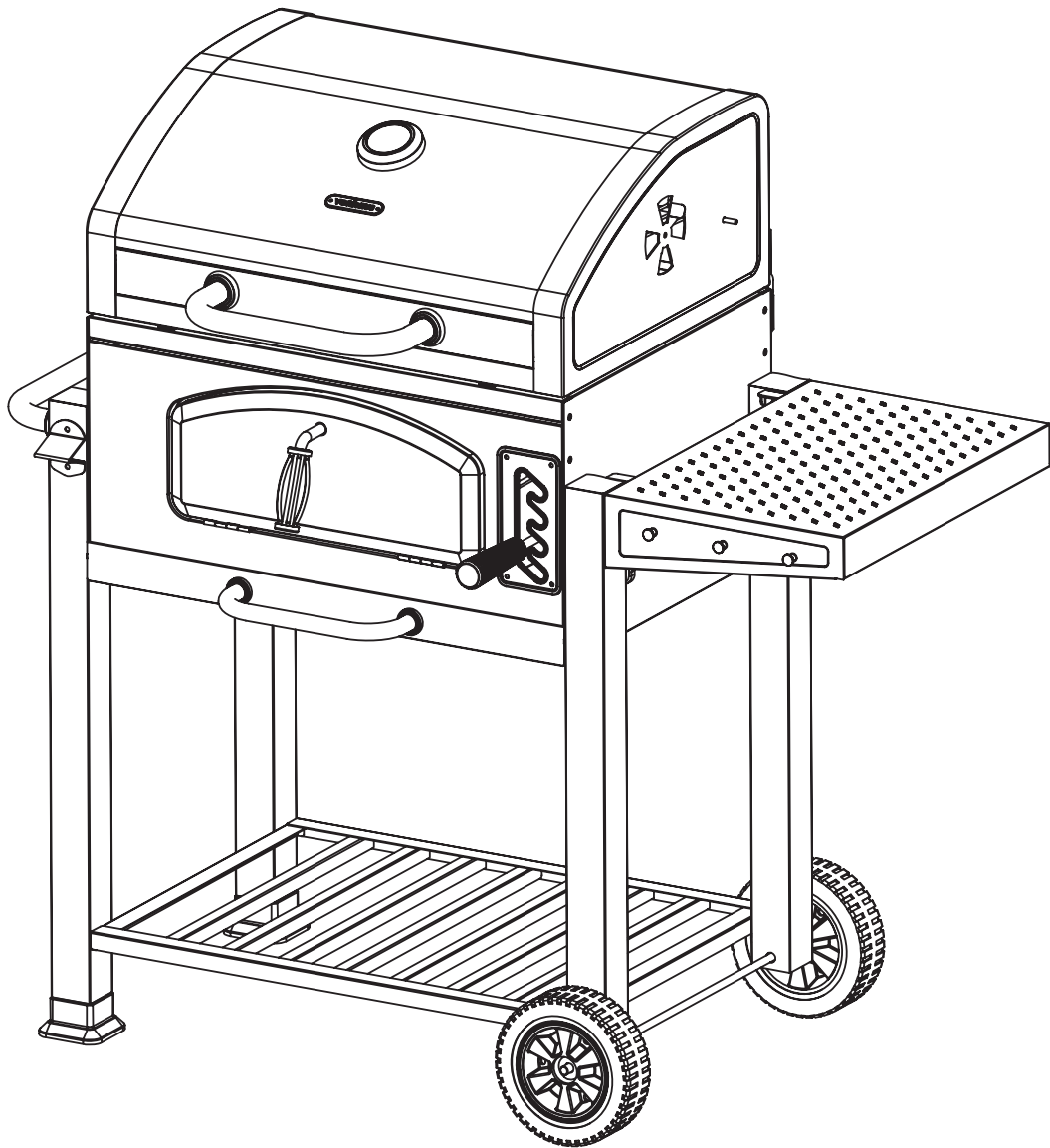
17



# Assembly

---

18



# Information

---

## Important Safety Notice

This product is **not suitable for use by children** or by individuals with **physical, sensory, or mental impairments** that may limit their ability to operate the equipment safely, **unless** they have been given supervision or instruction concerning the safe use of the product by a person responsible for their safety.

## Intended Use Warning

The product is for outdoor use only. **DO NOT** use indoors. This product should **NOT** be used in motor homes, tents, sheds or any similar locations where ventilation is limited. Use only in an uncovered, well ventilated area. Position on a suitable heat-resistant surface such as a concrete patio slab. This product is not intended as a climbing structure and it is not a toy. Children should be supervised to ensure that they do not play with the product.

Keep children and pets away from the product at all times when cooling. Flammable materials and heat-sensitive items should be kept away from the product during use and when cooling. Keep loose fitting clothing away and long hair tied back. Do not overload the product.

## Important Safety Information

**IMPORTANT:** The product should only be lit by safe means such as firelighters complying with EN1860-3. Pay close attention to all warnings and instructions provided with any lighting equipment/fuels. Always keep a fire extinguisher, garden hose, or bucket of sand nearby to smother the fire if necessary.

**WARNING DANGER OF CARBON MONOXIDE POISONING.** Do not light this

product or let it smoulder or cool down in confined spaces. Do not use under awnings, parasols or gazebos. Never handle charcoal after lighting. Always use the Poker provided. Always use the Mesh Guard when a fire is lit. **WARNING!** The BBQ will become extremely hot during use and cannot be moved. To avoid injury, be aware that the resting surface directly underneath the BBQ will become very hot during operation and will remain hot for some time afterwards. Keep feet, other limbs and all property/items well away from this area.

To avoid burns, do not touch metal parts of the product until it has completely cooled. Handles will become very hot and unsafe to touch during use, unless you are wearing rated protective gear (pot holders, thermal proof mittens, hot pad etc). Standard household oven gloves will **NOT** offer sufficient protection and should not be used. Hot embers may be emitted during use. Never leave a burning fire unattended. Extinguish immediately after use. Do not splash water over a fire to extinguish as the resulting smoke can cause eye/respiratory irritation. Carefully douse using a suitable extinguishing medium, keeping sufficient distance for safety. The product may appear cool but may still be retaining dangerous heat. Exercise extreme caution when handling.

Ensure the coals have completely burnt before removing the ash. Do not dump ashes where they could start a fire. Always dispose of ashes in a proper receptacle.

The product should only be moved and stored when it has completely cooled and all flammable materials have been extinguished and disposed of safely.

Store away **ONLY** when the product is completely extinguished and cool. This may take some time after use.

# Information

## Before First Use

Assemble close to the products intended position.

Locate the product in a suitable area where it will not create an obstruction. Locate away from sources of combustion.

## General Safety Information

The assembly pack contains small parts which can pose a choking hazard to children and pets. Place on solid and even ground.

Only use in an upright stable position.

Do not overload the product as this may result in damage to the product or personal injury.

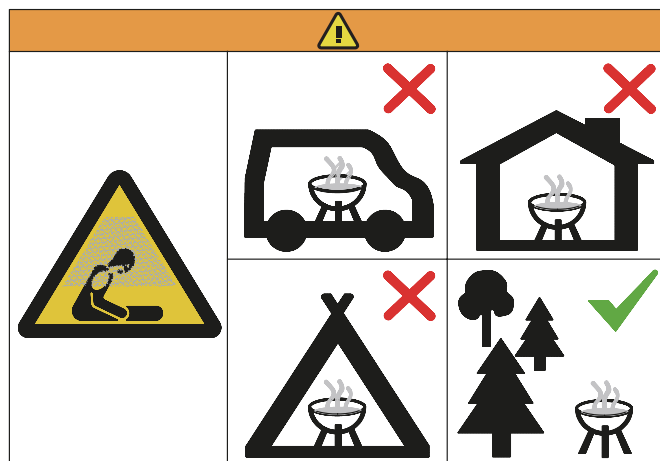
## Cleaning & Maintenance

Do not clean the product with any abrasive cloths or chemicals. Solvents or detergents can cause damage to the surface.

Periodically check and re-tighten fittings where necessary. Re-tighten all fittings after first week following assembly.

To clean, sponge down with warm water, a soft cloth and mild detergent. Ensure you have all the pieces listed.

If you are missing any components, contact our customer services department at [support@vonhaus.com](mailto:support@vonhaus.com)



The barbecue has to be installed on a secure level base prior to use. The barbecue shall be heated up and the fuel kept red hot for at least 30 min prior to the first cooking on the barbecue. Do not cook before the fuel has a coating of ash. **WARNING!** Do not use spirit or petrol for lighting or re-lighting!

# Information

---

## Customer Service

If you are having difficulty using this product and require support, please contact [support@vonhaus.com](mailto:support@vonhaus.com)

## Warranty

To register your product and find out if you qualify for a free extended warranty please go to [www.vonhaus.com/warranty](http://www.vonhaus.com/warranty)

Please retain a proof of purchase receipt or statement as proof of the purchase date.

The warranty only applies if the product is used solely in the manner indicated in the warnings page of this manual, and all other instructions have been followed accurately.

Any abuse of the product or the manner in which it is used will invalidate the warranty.

## Returns

Returned goods will not be accepted unless re-packaged in its original packaging and accompanied by a relevant and completed returns form. This does not affect your statutory rights.

No rights are given under this warranty to a person acquiring the appliance second-hand or for commercial or communal use.

## Copyright

All material in this instruction manual are copyrighted by DOMU Brands.

Any unauthorised use may violate worldwide copyright, trademark, and other laws.

## Thank You

Thank you for purchasing your product/appliance.

Should you require assistance with your purchase, please contact us at [support@vonhaus.com](mailto:support@vonhaus.com)

Vonhaus is a registered trademark of DOMU Brands Ltd.

Made in China for DOMU Brands Ltd.  
Unit 30, Stakehill Industrial Estate  
Middleton, Manchester, M24 2RW

## EU Authorised Representative

Authorised Representative Service  
77 Camden Street Lower  
Dublin, D02 XE80  
Ireland

## Let's get started!

Visit our product hub for useful tips and tricks on getting the most out of your new product.

**SCAN ME**

