

12" PELLET PIZZA OVEN

Product Instructions

Product No. 2502138

vonhaus

Let's get started!

Visit our product hub for useful tips and tricks on getting the most out of your new product.

SCAN ME

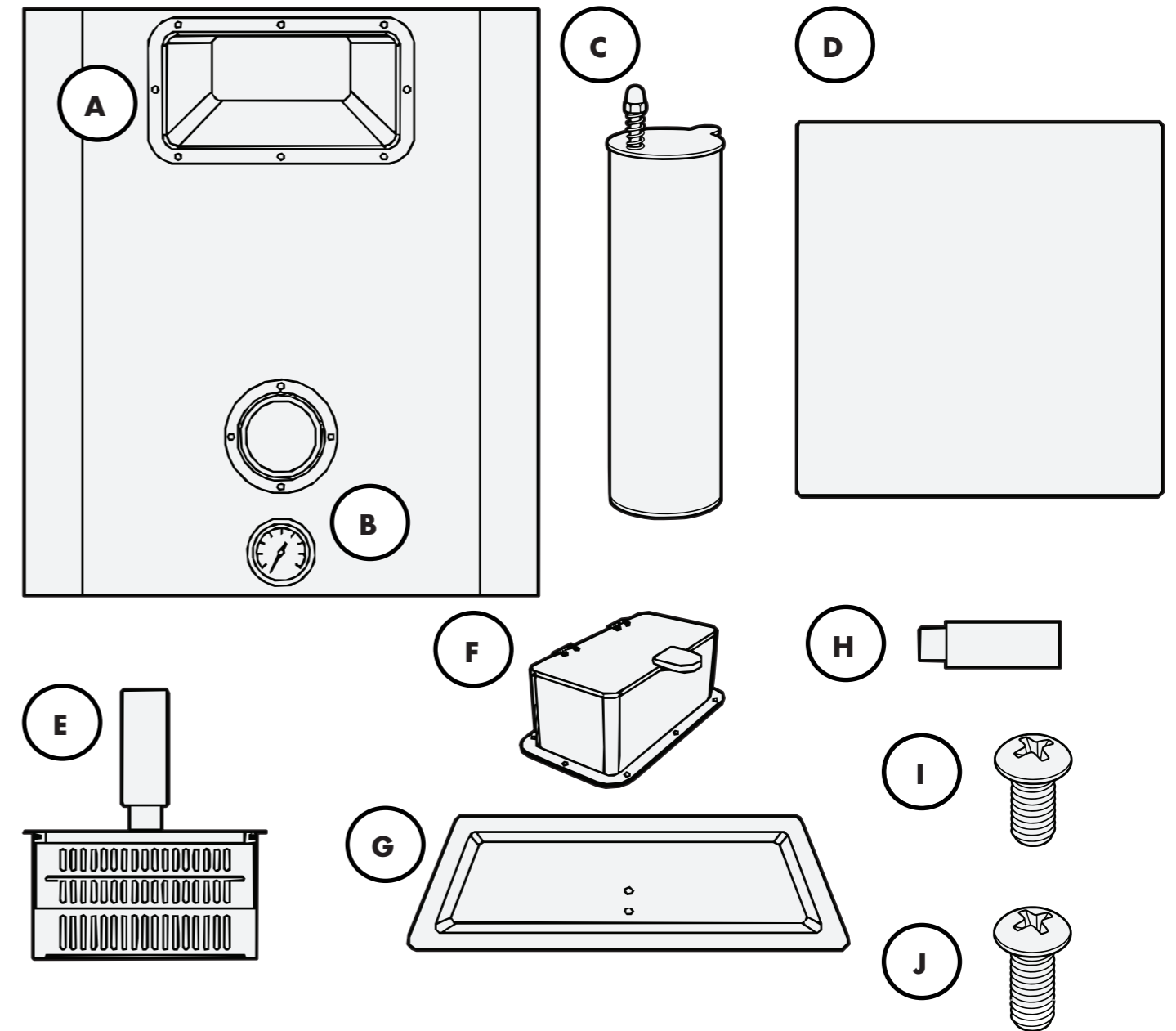


15 Mins

Need further help?
support@vonhaus.com

See our full range at
www.vonhaus.com

Components

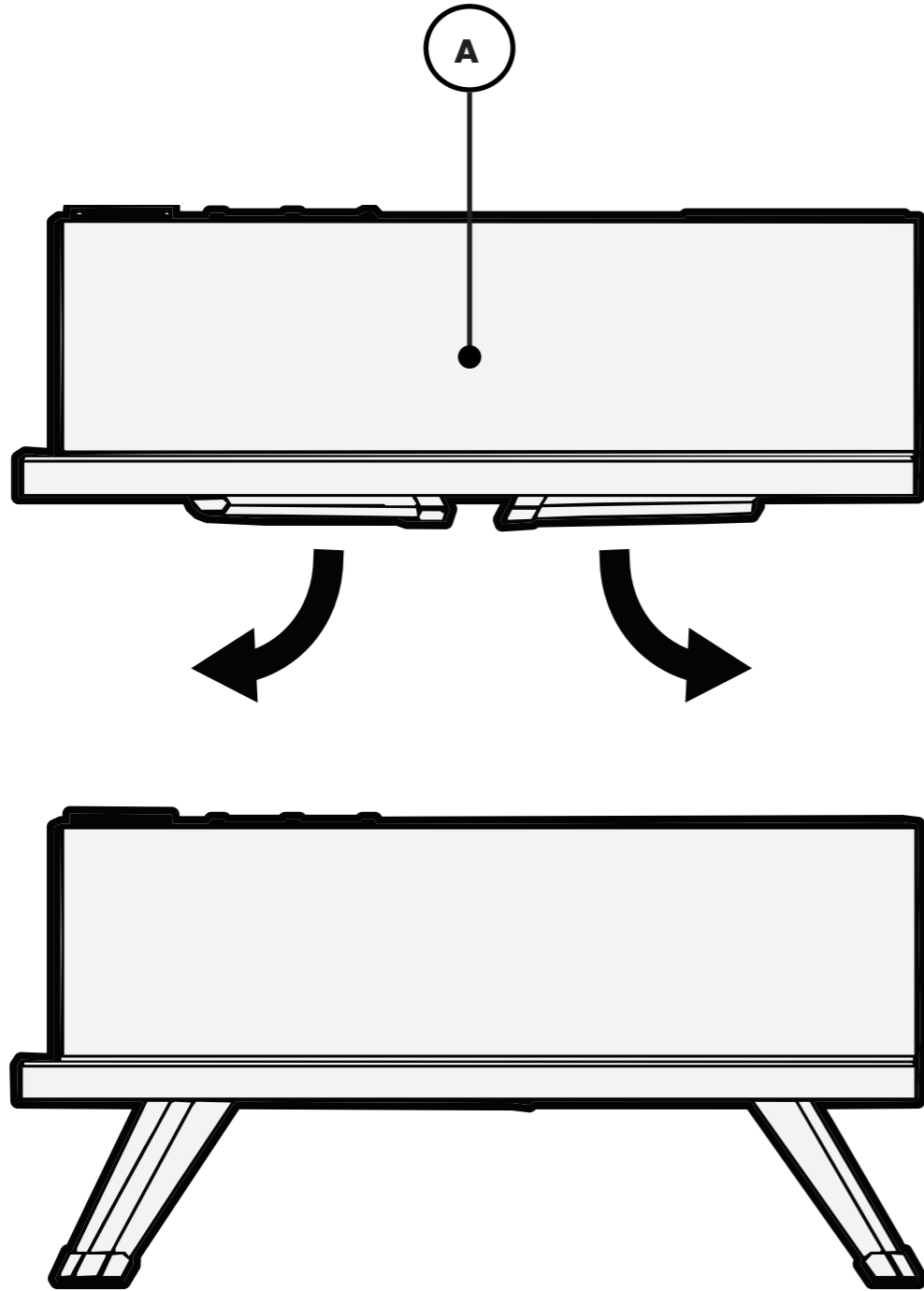


- A. Pellet pizza oven
- B. Integrated thermometer
- C. Chimney
- D. Refractory pizza stone
- E. Fuel drawer

- F. Pellet Charger
- G. Front oven door
- H. Front door handle
- I. M4 screw 6x
- J. M5 screw 2x

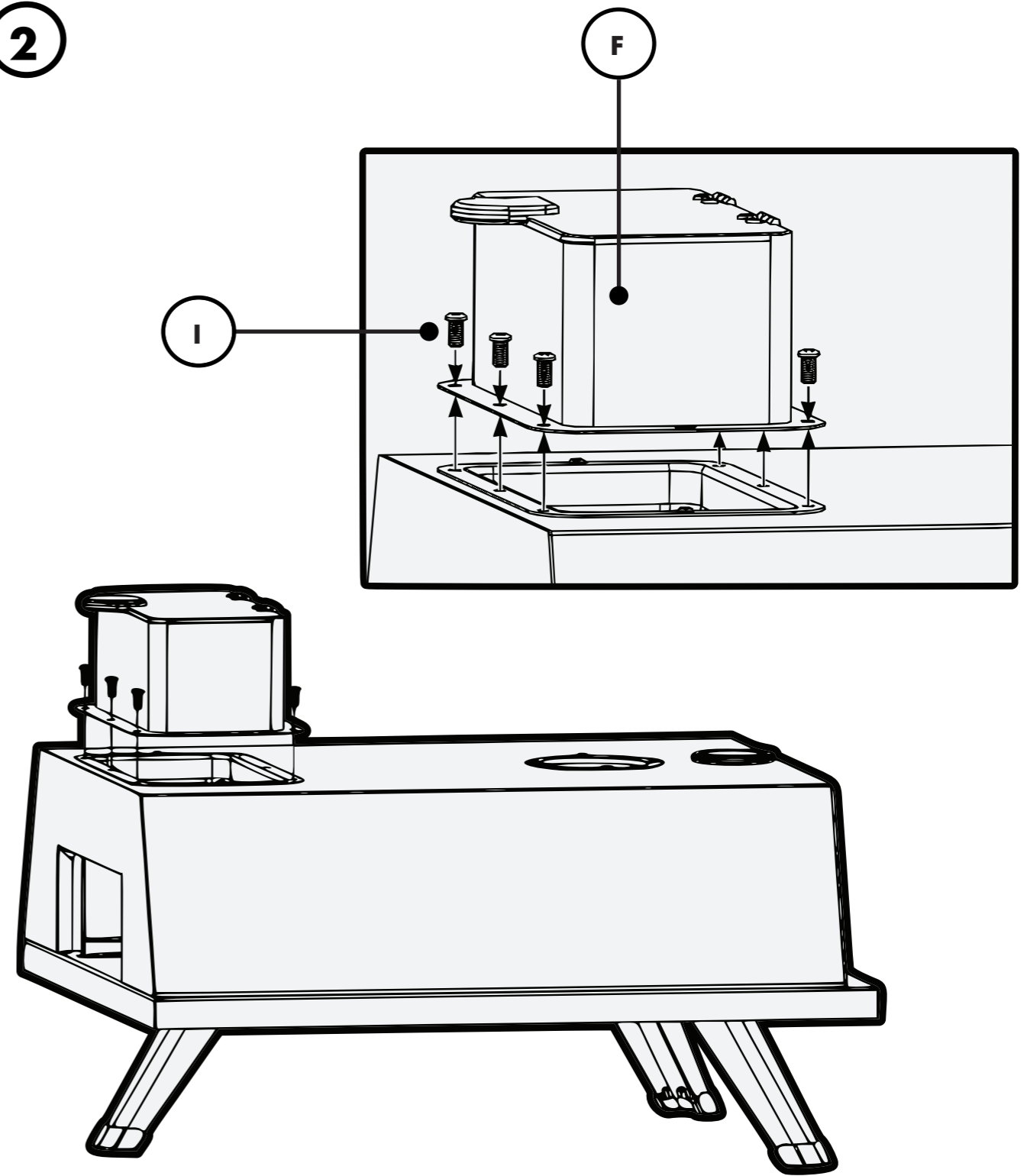
Assembly

- 1** Unfold the legs and place the oven on a flat surface



Assembly

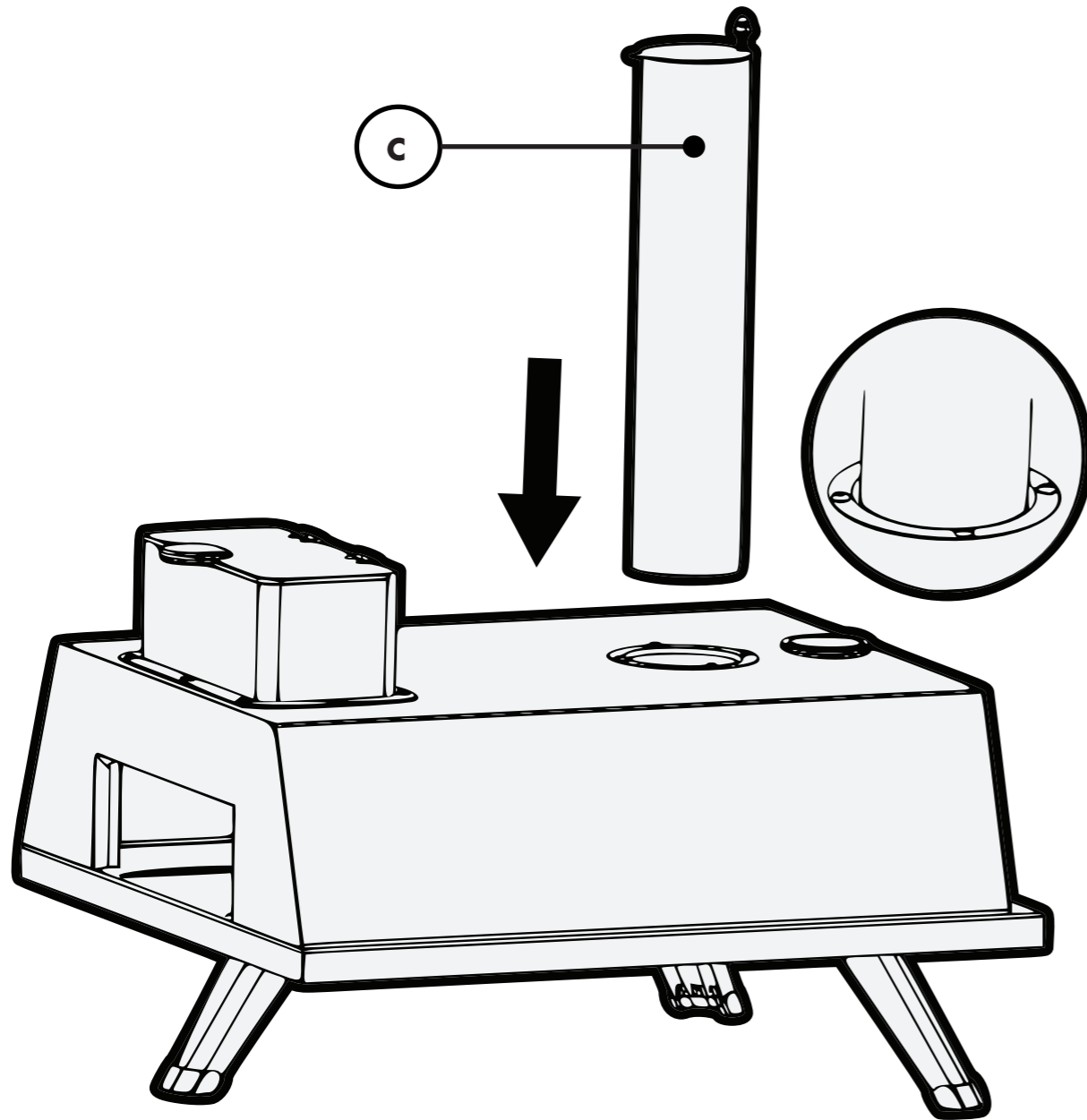
- 2**



I 6x

Assembly

3

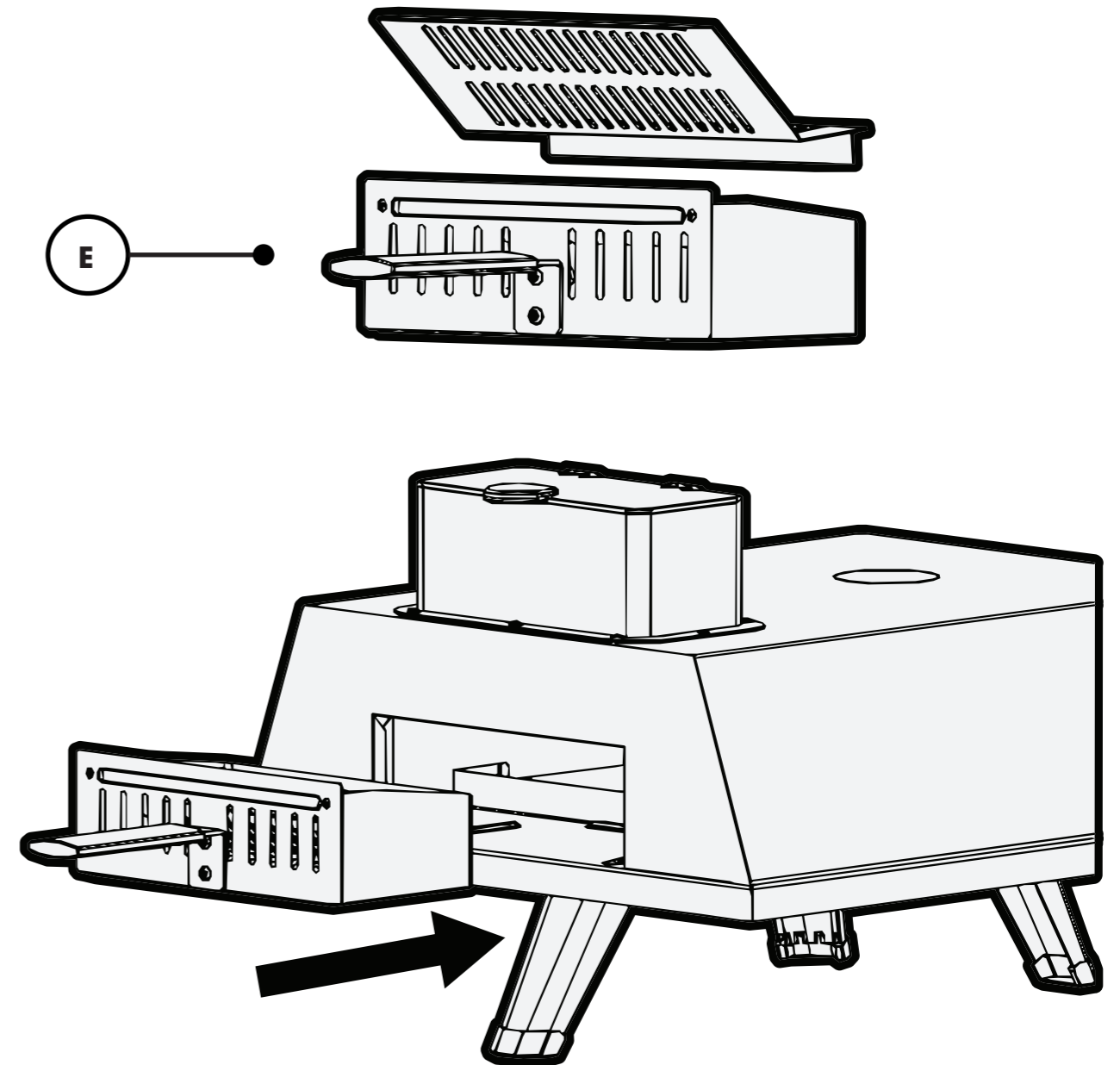


Assembly

4

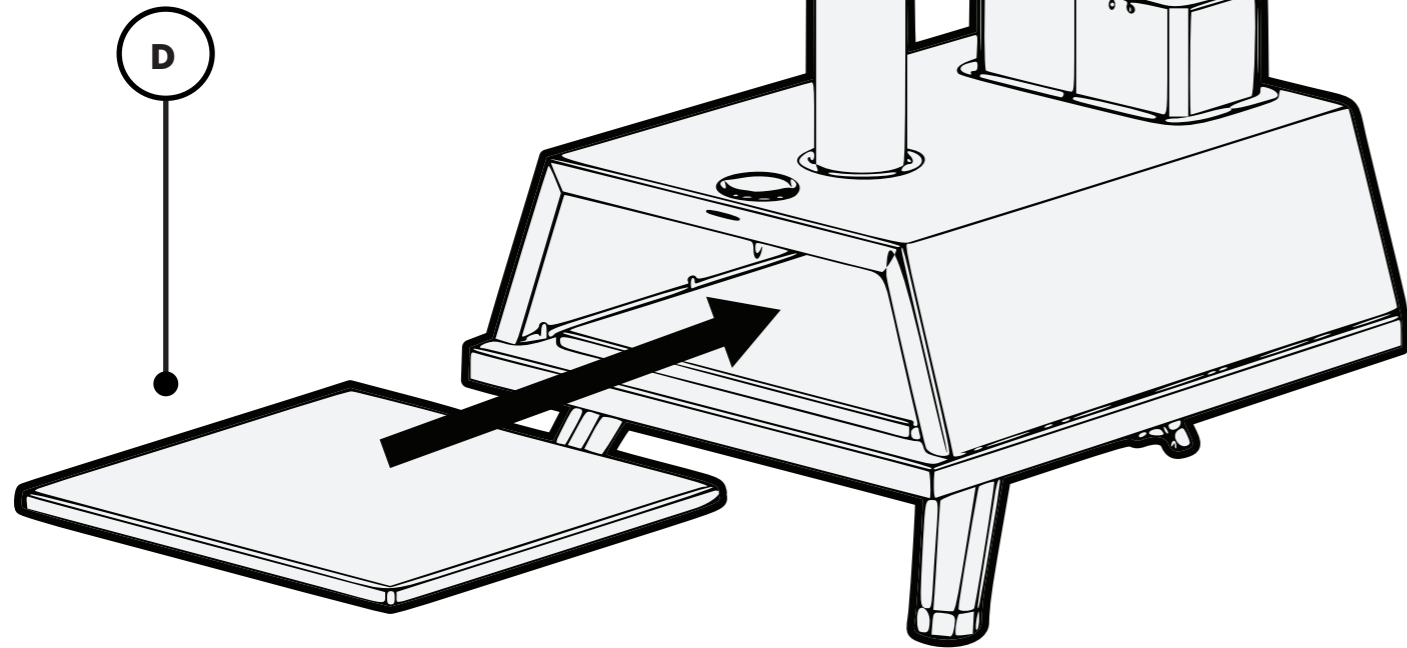
Check that the grid in the fuel drawer is in the right direction.

Insert the drawer into the oven.



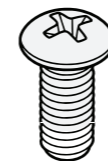
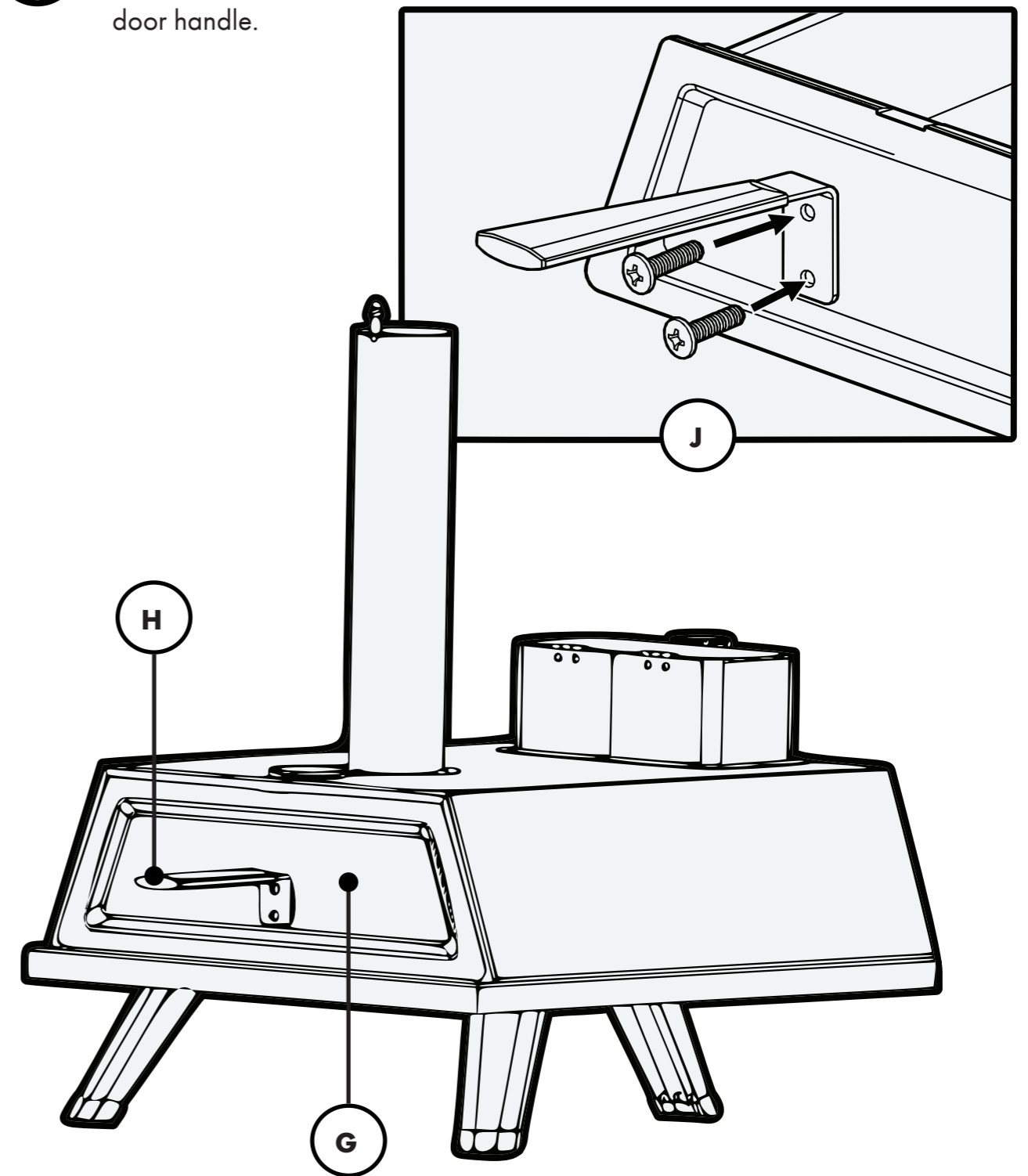
Assembly

- 5** Insert the pizza stone inside the oven



Assembly

- 6** Using the screws, mount the front door handle.



J 2x

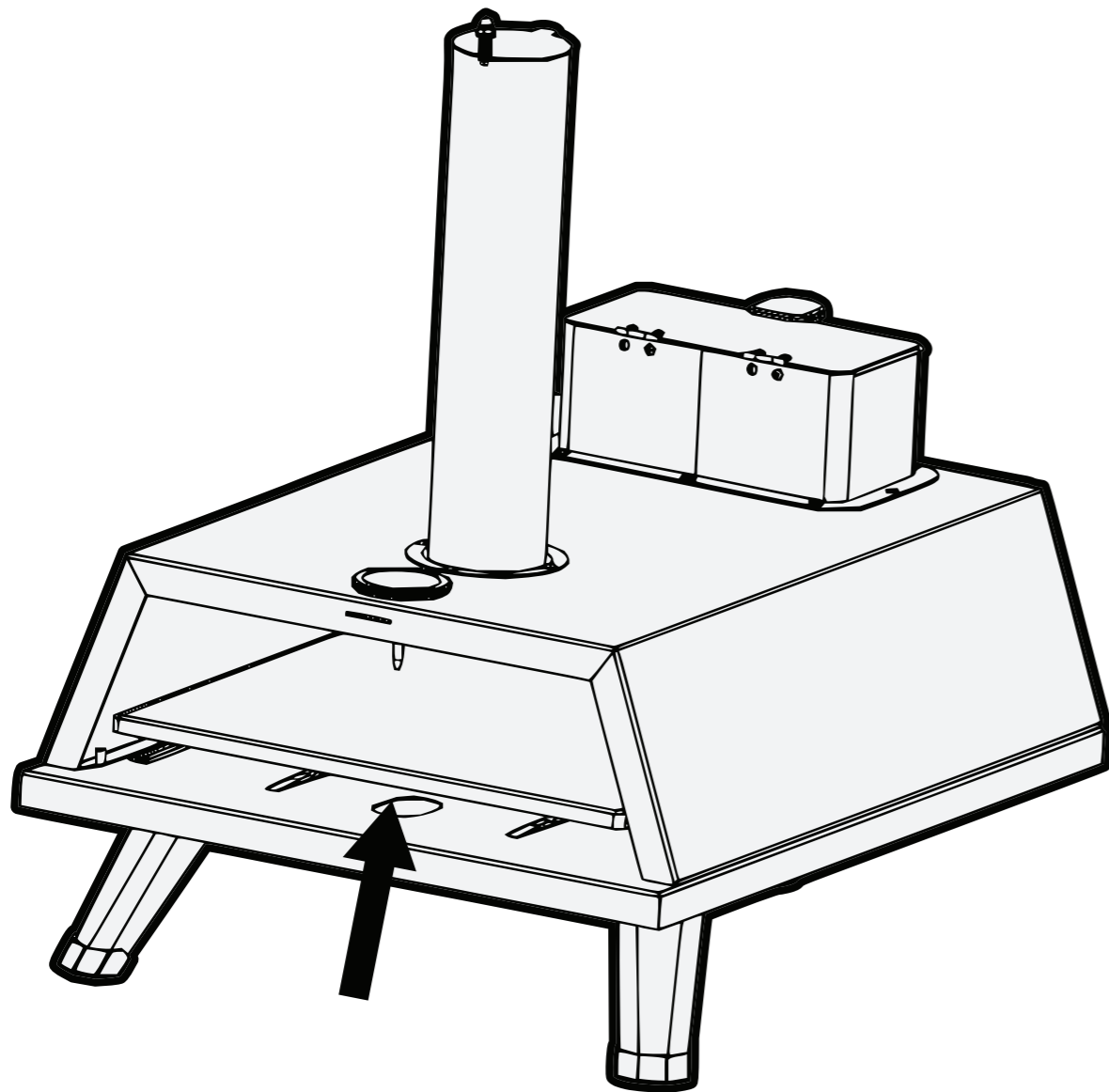
Maintenance

Store your oven preferably indoors away from the sun and inclement weather such as snow, heavy rains and high winds.

Wait for your oven to cool completely before to move it (it takes about 2 hours).

The color of the outer shell of your oven may change over time and over use, but this will not affect its performance.

To remove the refractory stone from the oven, use the hole on the bottom of the oven to lift it up and grab it easily.



Information

Important Safety Notice

This product is **not suitable for use by children** or by individuals with **physical, sensory, or mental impairments** that may limit their ability to operate the equipment safely, **unless** they have been given supervision or instruction concerning the safe use of the product by a person responsible for their safety.

Before Cooking

1. Close the front door of oven.
2. Fill the fuel drawer with wood pellets. We recommend that you use around 250g of pellets to start.
3. Place a fire starter on the pellets in the fuel drawer. Preferably, use natural wood wool fire starters. Using a lighter, or matches to light the fire starter and place the drawer in the oven in the location provided for this purpose.

WARNING: Once the oven is on do not open or manipulate the pellet drawer at the back until the pizza oven has completely cooled. Do not use alcohol or gasoline to light or re-light. Use only compliant fire starters to standard EN 1860-3.

4. Wait for the starter pellets to ignite completely. At this step, the front door must always be closed.
5. Use the pellet charger at the back to add pellets if necessary, until the temperature reaches 350 ° C.

During Cooking

6. At this temperature, you can open the door at the front and insert the pizza using a pizza peel.
7. Rotate your pizza using a round pizza peel.
8. Allow approximately 1 minute to 1 minute 30 seconds to cook the pizza. Take it out of the oven with a pizza peel. For best cooking, maintain a temperature at 350°C.

After Cooking

9. Close your oven and let the fire burn naturally. Wait until your oven has cooled completely to remove the ashes and clean it.

PLEASE NOTE: Allow about 2 hours for the oven to cool.

Storage and Cleaning

Storage

You can store the oven outside by putting it in the carrying case provided.

Cleaning the Oven

To clean your gas pizza oven, use a damp cloth and dry immediately with another dry cloth. Avoid cleaning products that are abrasive or contain aggressive substances.

Cleaning the Refractory Stone

To clean the refractory stone, wait until the stone has cooled. Simply use a damp cloth. Please note: The stone is not dishwasher safe.

Removing the Refractory Stone

To remove the refractory stone from the oven, use the hole on the bottom of the oven to lift it up and grab it easily.

Important Warning

When cleaning, do not apply water directly to avoid damaging your oven. There may also be sharp edges. Be careful.

If you are missing any components, contact our customer services department at support@vonhaus.com

Usage & Safety



Please read all instructions carefully before use and retain for future reference.



CAUTION: Hot surfaces.



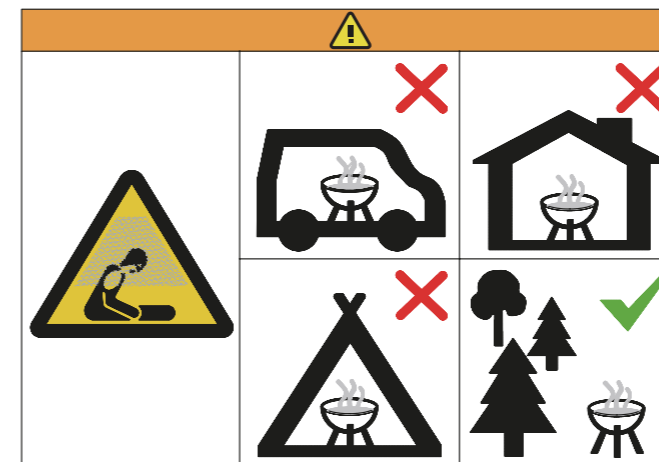
WARNING! Never leave a fire unattended and keep children and pets well away when ignited.



Never use water to douse the fire as this can cause rusting to the product and could also produce steam that poses a scalding hazard.



Never move the appliance whilst in use.



The oven has to be installed on a secure level base prior to use. The oven shall be heated up and the fuel kept red hot for at least 30 min prior to the first cooking on the barbecue. Do not cook before the fuel has a coating of ash.

WARNING! Do not use spirit or petrol for lighting or re-lighting!

DANGER! CARBON MONOXIDE

Burning pellets can produce carbon monoxide, a poisonous gas.

- NEVER use indoors or in enclosed spaces.
- Use outdoors only, in a well-ventilated area.
- DO NOT USE IN GARAGES, SHEDS, TENTS, VEHICLES, OR UNDER COVERED AREAS.
- CARBON MONOXIDE CAN CAUSE DEATH.

AFTER USE

- Allow the oven to burn out and cool completely.
- Leave outdoors for several hours until all smoke, fumes and embers are gone.
- Once fully cold, empty any remaining ash.
- Only bring indoors for storage once fully cold and free of odour.

Information

Customer Service

If you are having difficulty using this product and require support, please contact support@vonhaus.com

Warranty

To register your product and find out if you qualify for a free extended warranty please go to www.vonhaus.com/warranty

Please retain a proof of purchase receipt or statement as proof of the purchase date.

The warranty only applies if the product is used solely in the manner indicated in the warnings page of this manual, and all other instructions have been followed accurately.

Any abuse of the product or the manner in which it is used will invalidate the warranty.

Returns

Returned goods will not be accepted unless re-packaged in its original packaging and accompanied by a relevant and completed returns form. This does not affect your statutory rights.

No rights are given under this warranty to a person acquiring the appliance second-hand or for commercial or communal use.

Copyright

All material in this instruction manual are copyrighted by DOMU Brands.

Any unauthorised use may violate worldwide copyright, trademark, and other laws.

Thank You

Thank you for purchasing your product/appliance.

Should you require assistance with your purchase, please contact us at support@vonhaus.com

Vonhaus is a registered trademark of DOMU Brands Ltd.

Made in China for DOMU Brands Ltd.
Unit 30, Stakehill Industrial Estate
Middleton, Manchester, M24 2RW

EU Authorised Representative

Authorised Representative Service
77 Camden Street Lower
Dublin, D02 XE80
Ireland

Let's get started!

Visit our product hub for useful tips and tricks on getting the most out of your new product.

SCAN ME

