

HUDSON FOLDING ADIRONDACK CHAIR

Product Instructions

Product No. 2522092

vonhaus

Let's get started!

Visit our product hub for useful tips and tricks on getting the most out of your new product.

SCAN ME



150 kg
capacity

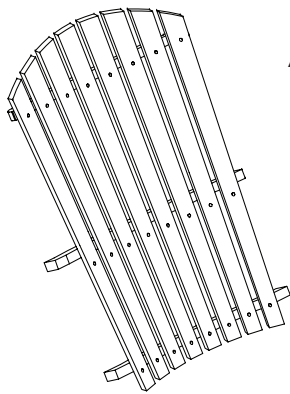


60 Mins

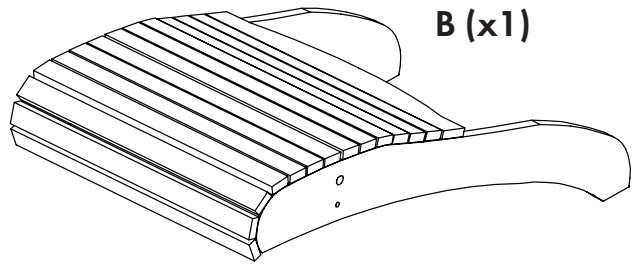
Need further help?
support@vonhaus.com

See our full range at
www.vonhaus.com

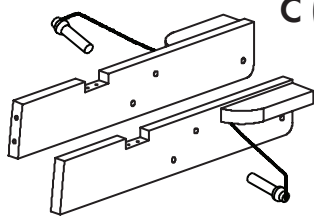
Components



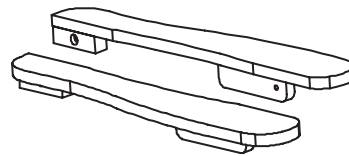
A (x1)



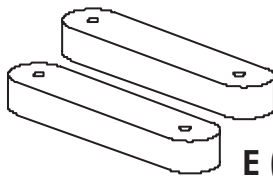
B (x1)



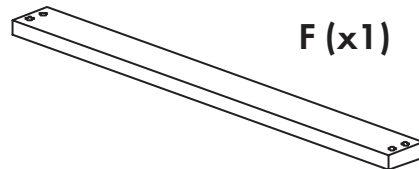
C (x2)



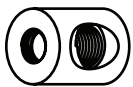
D (x2)



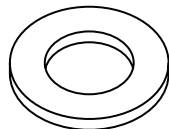
E (x2)



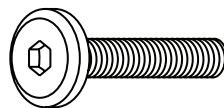
F (x1)



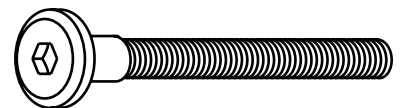
1 (x4)
M6x30mm



2 (x6)
Φ6x20mm



3 (x6)
M6x45mm



4 (x4)
M6x60mm



5 (x4)
M4x30mm



6 (x2)

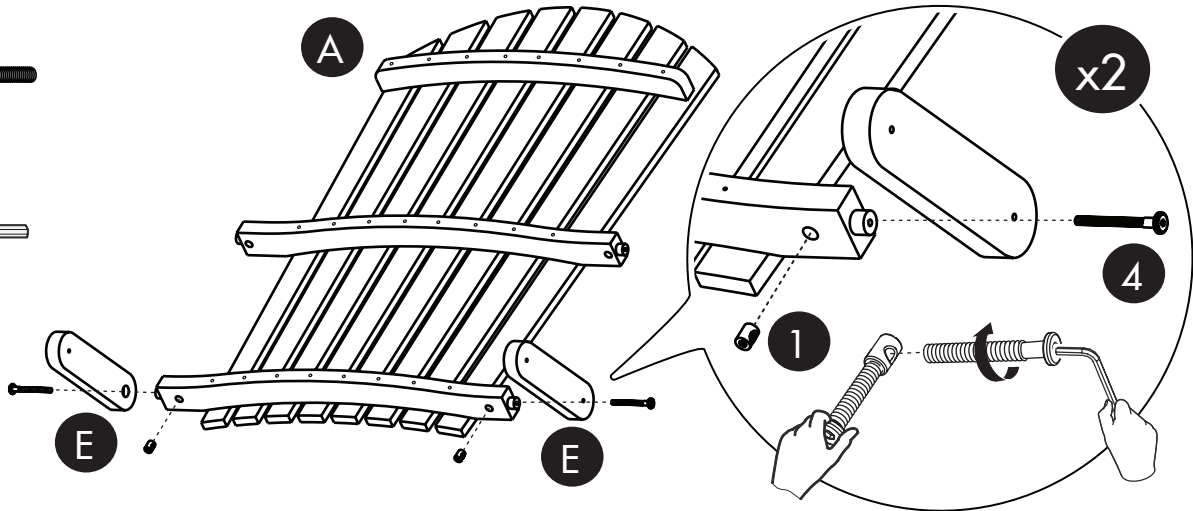
Assembly



1 (x2)



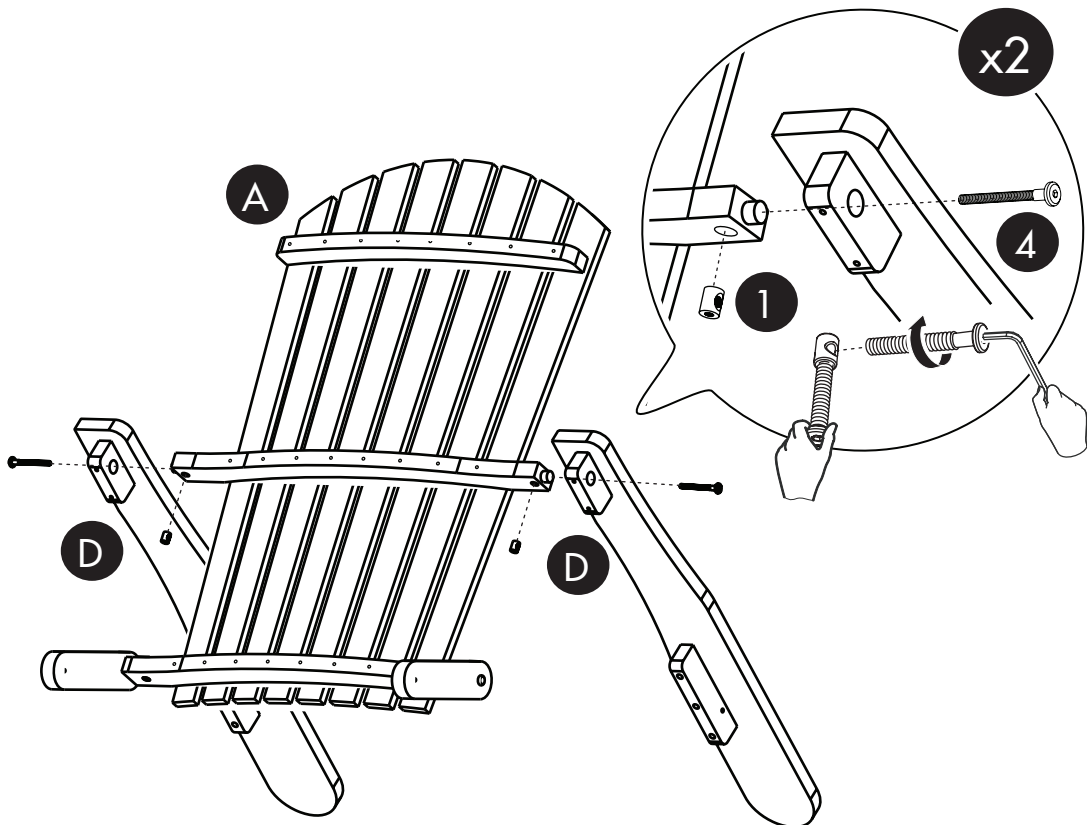
4 (x2)



1 (x2)



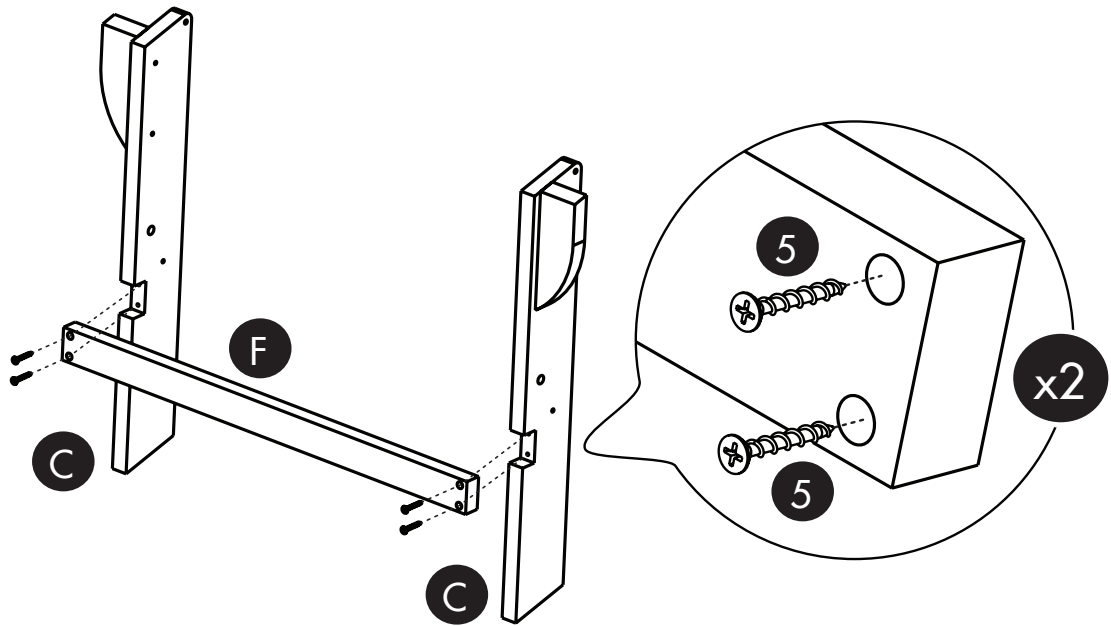
4 (x2)



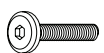
Assembly



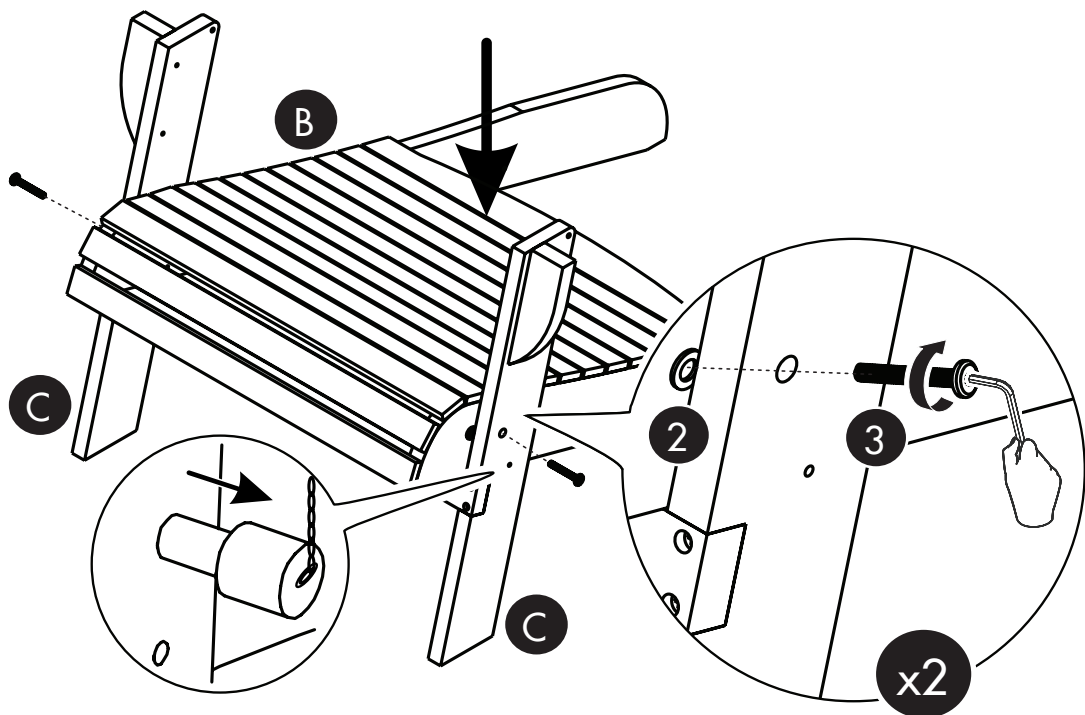
5 (x4)



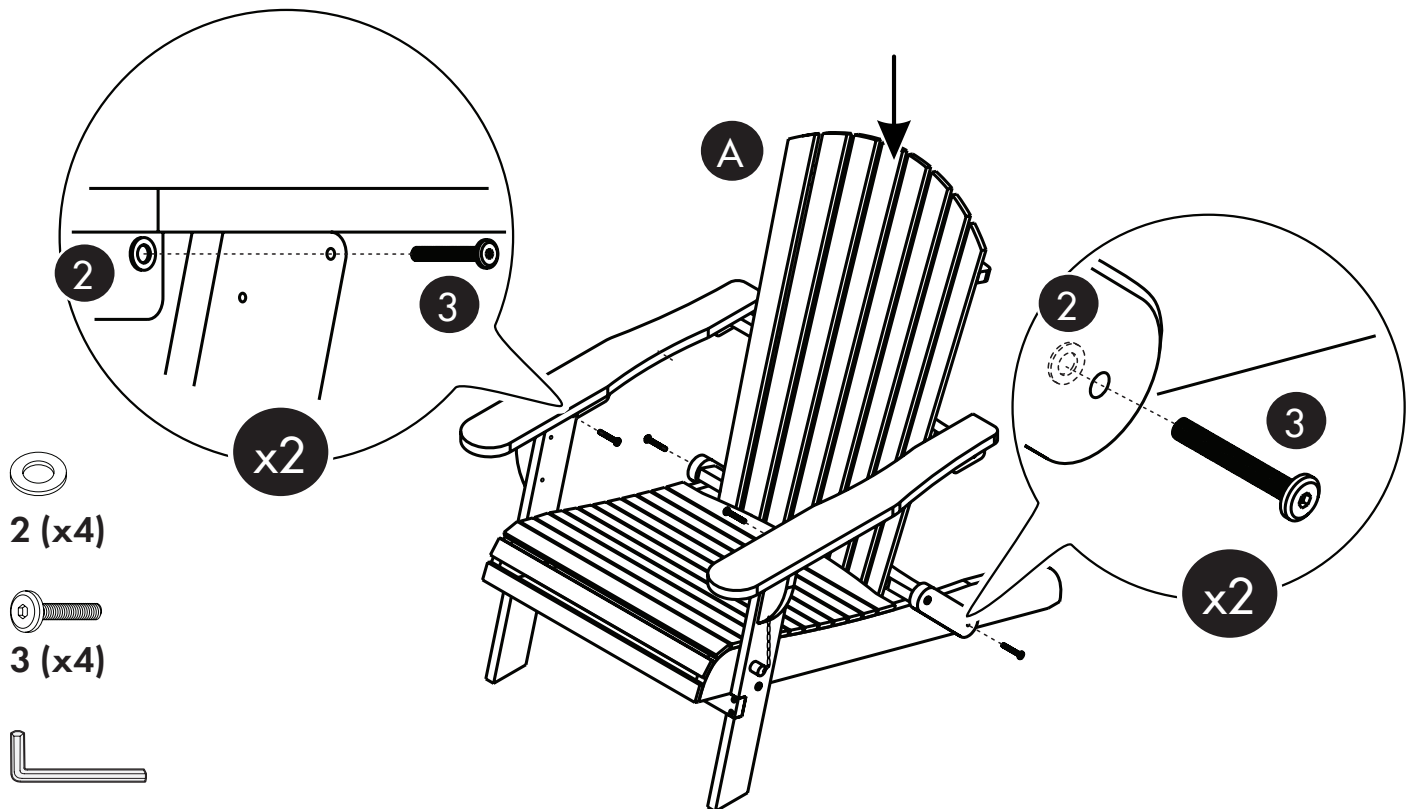
2 (x2)



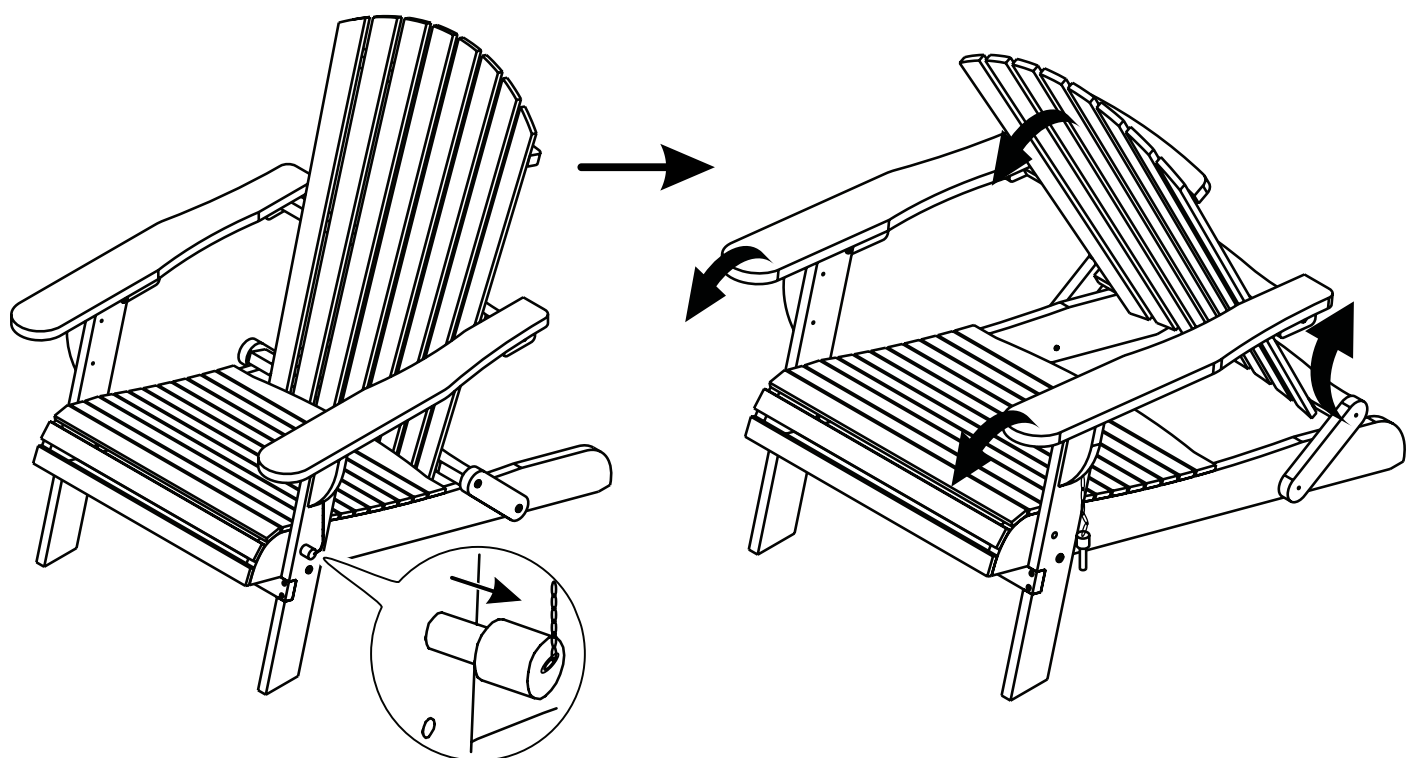
3 (x2)



Assembly



Storage



Information

Important Safety Notice

This product is **not suitable for use by children** or by individuals with **physical, sensory, or mental impairments** that may limit their ability to operate the equipment safely, **unless** they have been given supervision or instruction concerning the safe use of the product by a person responsible for their safety.

If you are missing any components, contact our customer services department at support@vonhaus.com

DO NOT proceed with assembly if any components are missing.

GENERAL SAFETY

Ensure the chair is fully unfolded and locked before use.

Do not exceed the maximum weight capacity of the chair.

Use the chair on a flat, stable surface to prevent tipping.

Keep fingers clear of folding mechanisms to avoid injury.

Store the chair in a dry place when not in use to prevent damage.

CLEANING & MAINTENANCE

Regularly clean the chair with a mild soap and water solution.

Store the chair in a dry place when not in use to prevent weather damage.

Apply a protective finish annually to maintain the wood's appearance.

Tighten any loose screws or bolts to ensure stability.

Inspect the chair regularly for any signs of wear or damage.

Troubleshooting

The chair will not unfold properly. What should I do? Ensure all locking mechanisms are disengaged and gently pull the chair apart.

One of the screws is loose. How can I fix it? Tighten the screw with a suitable screwdriver, ensuring not to overtighten.

The chair feels unstable. What should I check? Verify that all screws and bolts are securely tightened and that the chair is on a flat surface.

The wood is starting to crack. How can I prevent further damage? Apply a wood sealant or varnish to protect the wood from moisture and sun damage.

The chair is difficult to fold. What can I do? Lubricate the hinges and joints with a suitable lubricant to ease the folding process.

Information

Customer Service

If you are having difficulty using this product and require support, please contact support@vonhaus.com

Warranty

To register your product and find out if you qualify for a free extended warranty please go to www.vonhaus.com/warranty

Please retain a proof of purchase receipt or statement as proof of the purchase date.

The warranty only applies if the product is used solely in the manner indicated in the warnings page of this manual, and all other instructions have been followed accurately.

Any abuse of the product or the manner in which it is used will invalidate the warranty.

Returns

Returned goods will not be accepted unless re-packaged in its original packaging and accompanied by a relevant and completed returns form. This does not affect your statutory rights.

No rights are given under this warranty to a person acquiring the appliance second-hand or for commercial or communal use.

Copyright

All material in this instruction manual are copyrighted by DOMU Brands.

Any unauthorised use may violate worldwide copyright, trademark, and other laws.

Thank You

Thank you for purchasing your product/appliance.

Should you require assistance with your purchase, please contact us at support@vonhaus.com

Vonhaus is a registered trademark of DOMU Brands Ltd.

Made in China for DOMU Brands Ltd.
Unit 30, Stakehill Industrial Estate
Middleton, Manchester, M24 2RW

EU Authorised Representative

Authorised Representative Service
77 Camden Street Lower
Dublin, D02 XE80
Ireland

Let's get started!

Visit our product hub for useful tips and tricks on getting the most out of your new product.

SCAN ME

