

ELECTRIC STANDING DESK CONVERTER

Product Instructions

Product No. 3000154.1 / 3005129

vonhaus

Let's get started!

Visit our product hub for useful tips and tricks on getting the most out of your new product.

SCAN ME



20kg
Worksurface
Weight Capacity

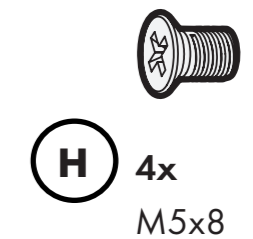
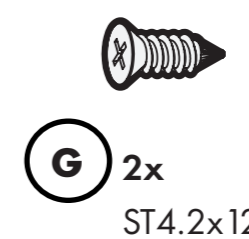
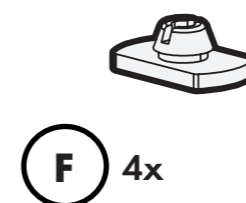
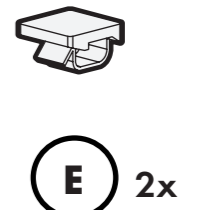
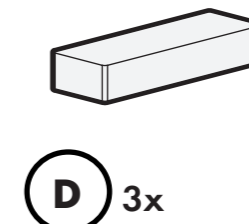
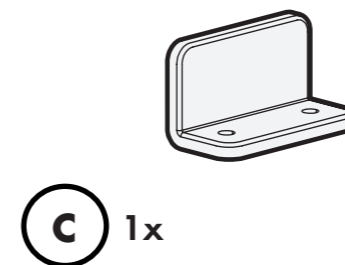
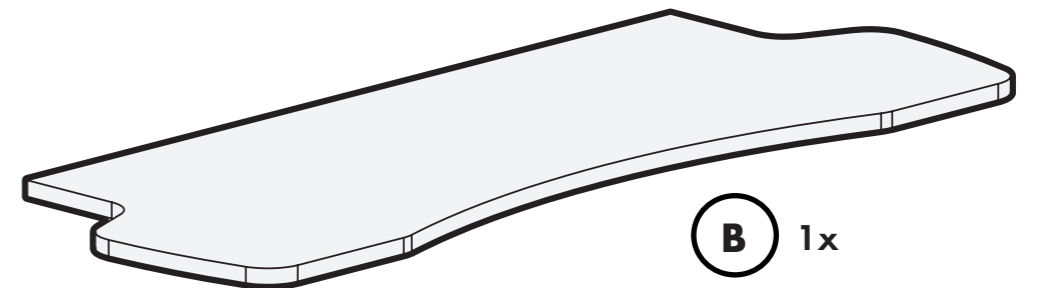
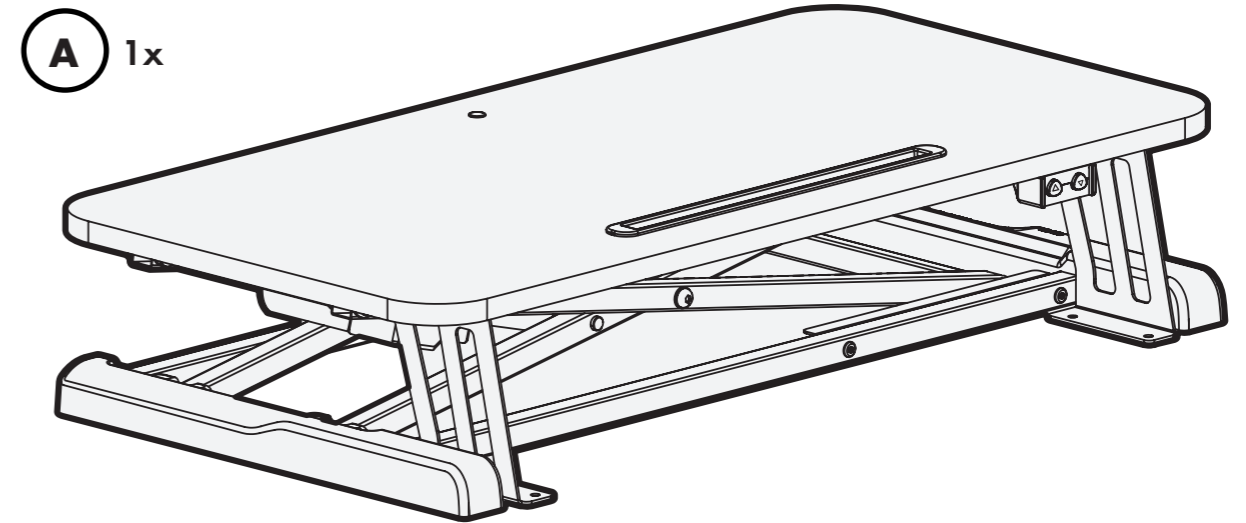


2kg
Keyboard Weight
Capacity

Need further help?
support@vonhaus.com

See our full range at
www.vonhaus.com

Product Diagram



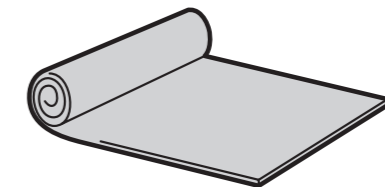
Tools Required



Scissors

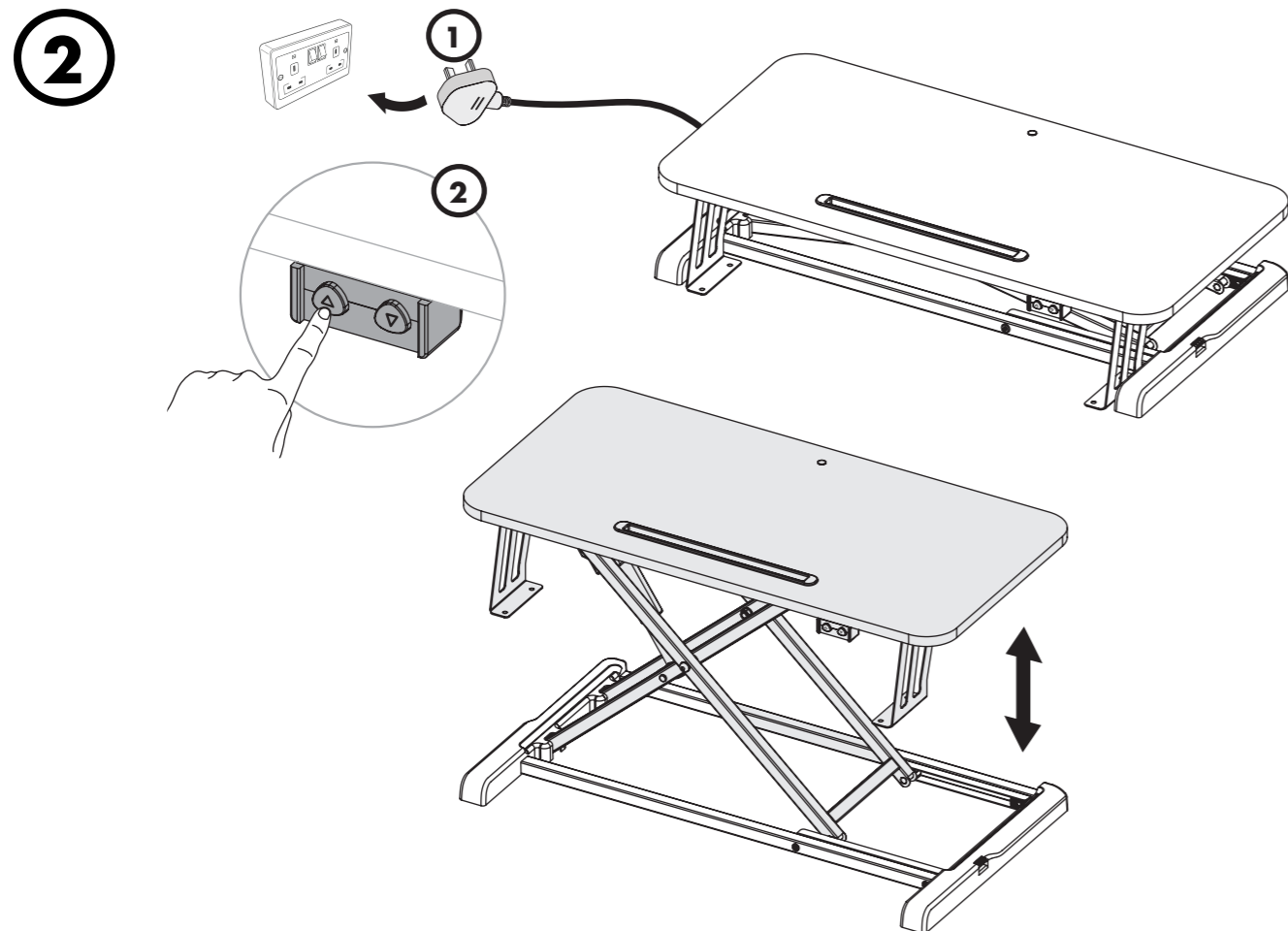
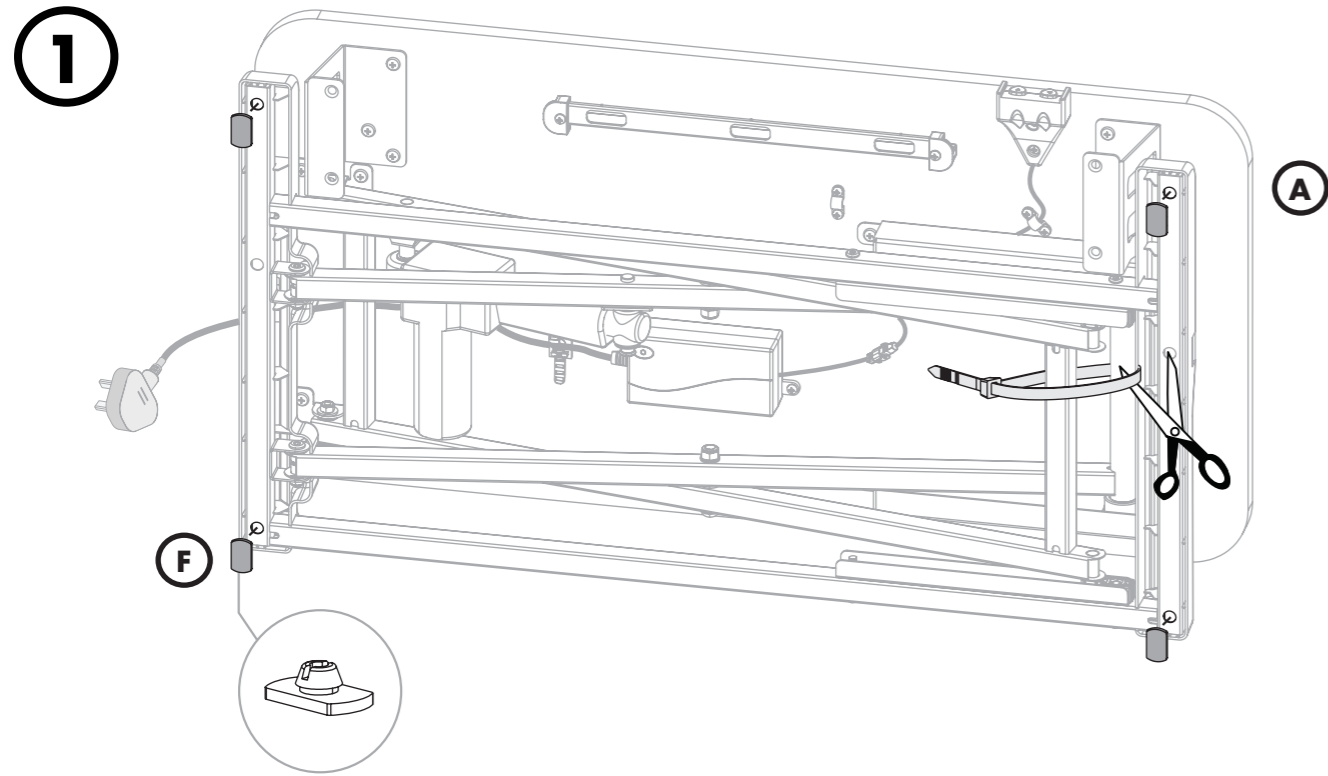


Screwdriver

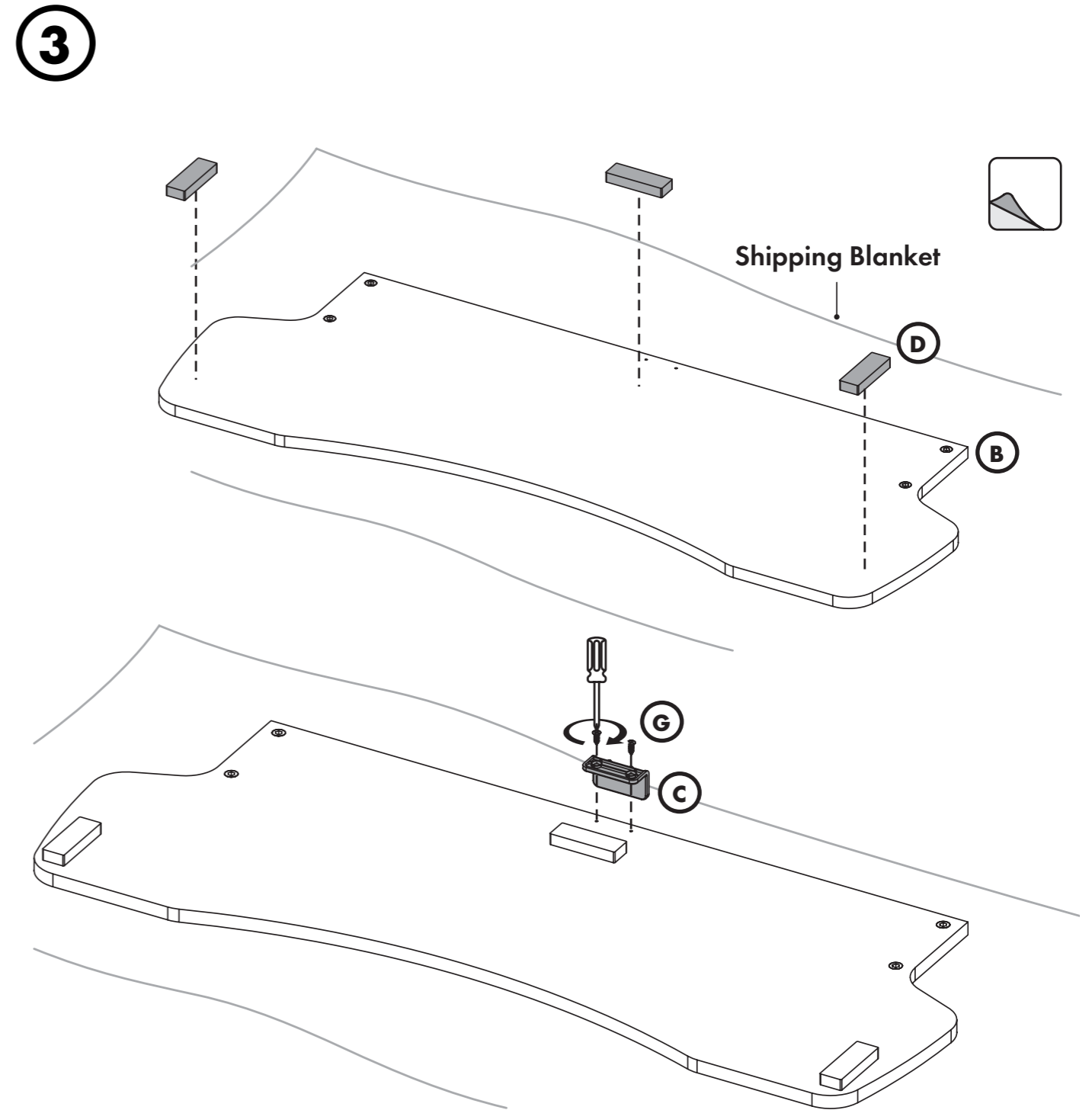


Blanket
Recommended to
protect desk and floor
during assembly

Assembly

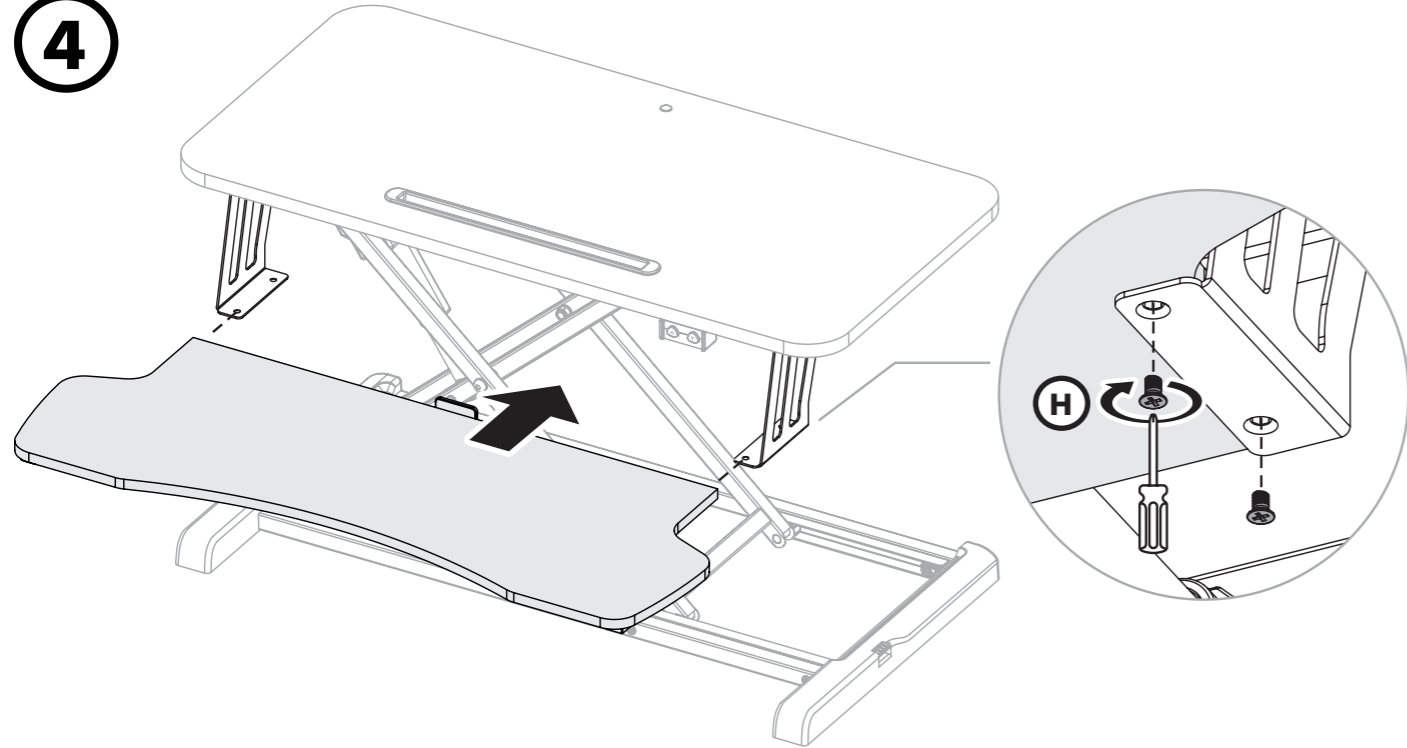


Assembly

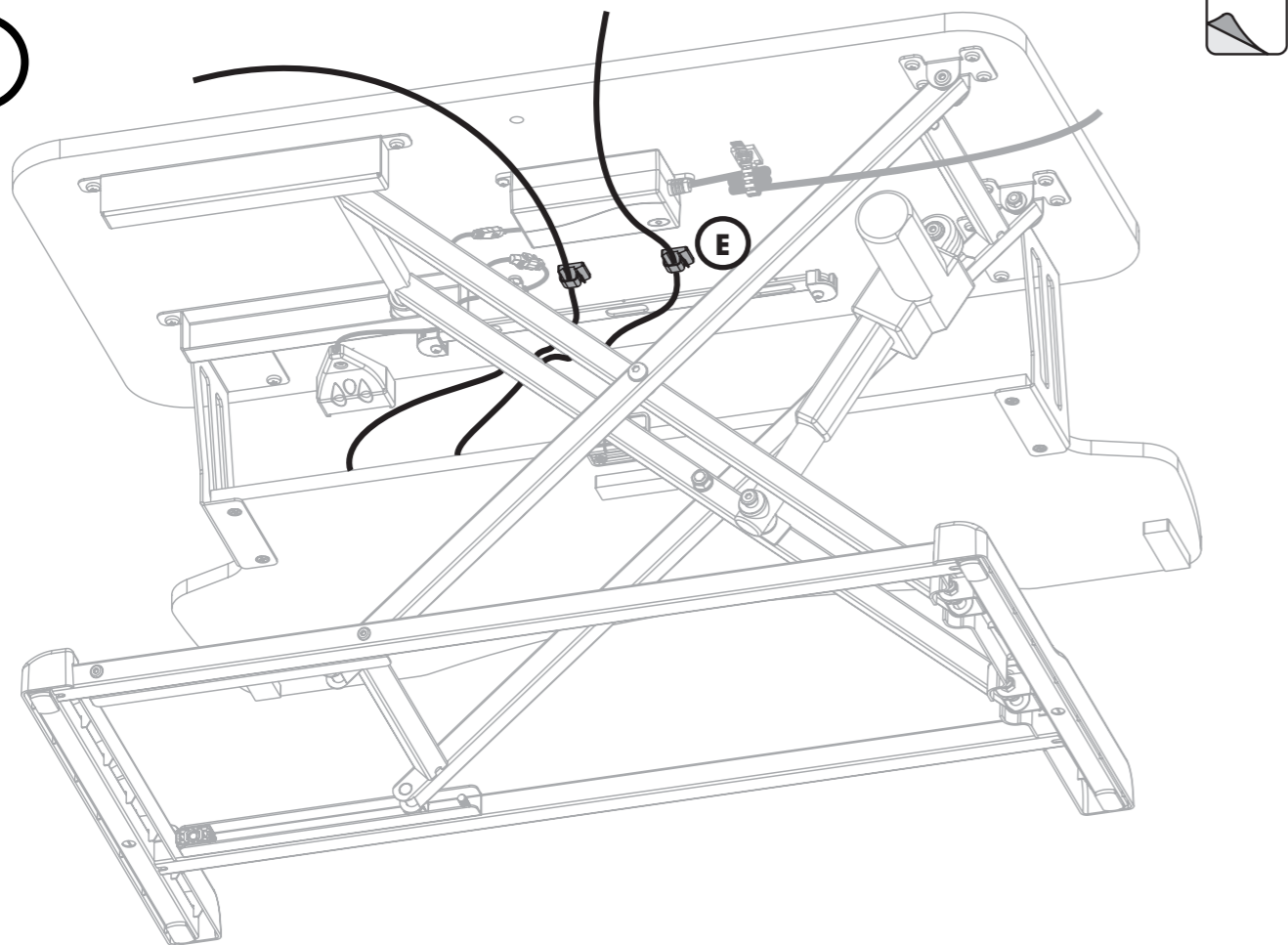


Assembly

4

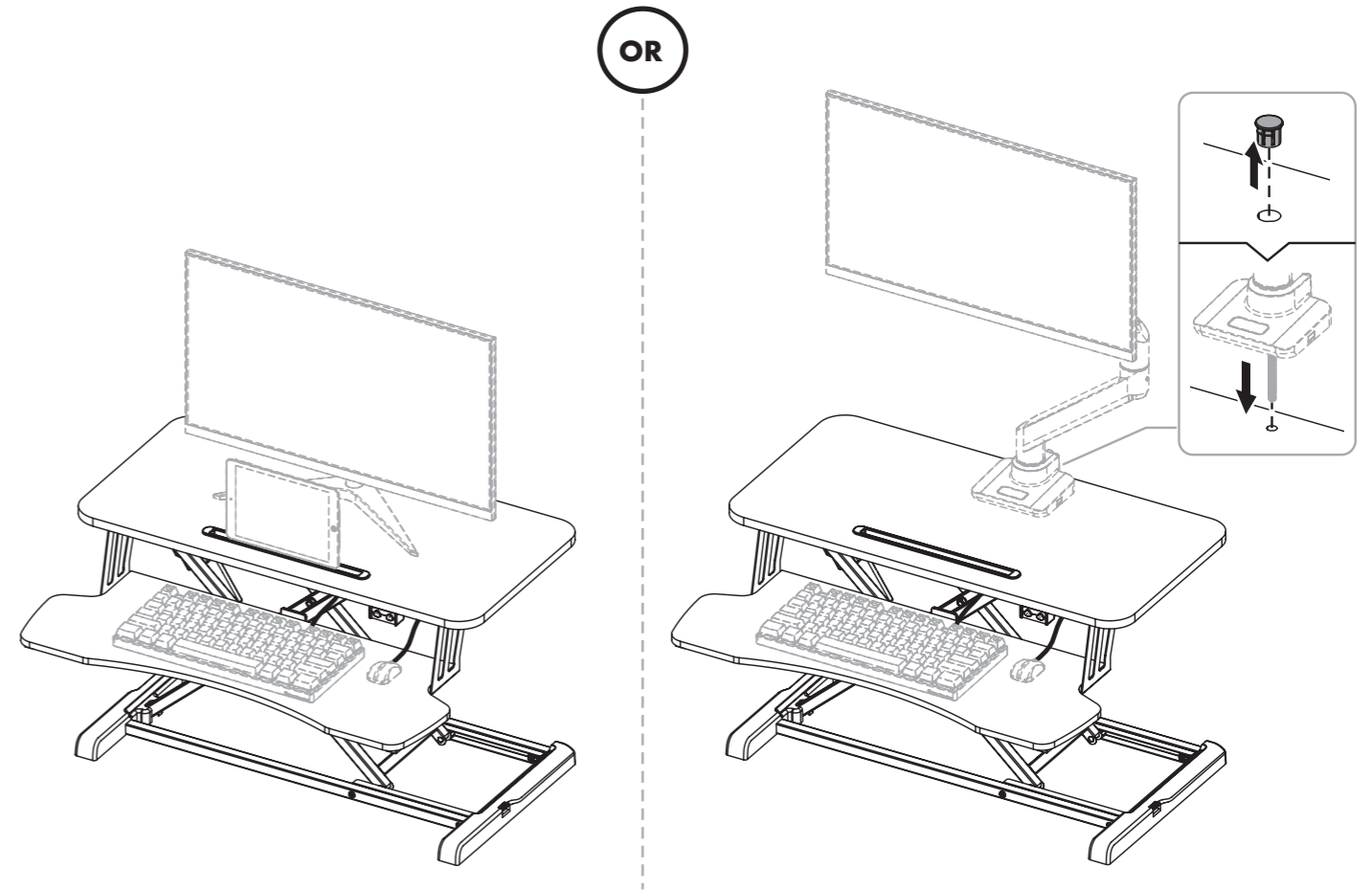


5



Assembly

6



Information

Important Safety Notice

This product is **not suitable for use by children** or by individuals with **physical, sensory, or mental impairments** that may limit their ability to operate the equipment safely, **unless** they have been given supervision or instruction concerning the safe use of the product by a person responsible for their safety.

Safety and Warnings

This electric height-adjustable standing desk consists of a heavy-duty steel desk frame, a desktop, and a motorized height adjustment system. Please read and completely understand this manual before installation to ensure the safe and correct use of the system and maintain the longevity of the overall construction and built-in electronics.

DO NOT proceed with assembly if any components are missing.

Any failure to comply with the safety and installation instructions in this manual may cause serious bodily injury.

Overlooking any part of the instructions, warnings, and additional information may result in serious damage to the system or its components.

Children should never be allowed to operate or touch the product without direct supervision of an adult. Users should prevent children from being near or around the desk during operation.

Individuals with disabilities and/or lack of experience and knowledge should be prevented from using the product unless under supervision or assisted during use and operation.

Never sit on or exceed the rated weight capacity of the desk.

Maintenance

- Regularly clean the surface with a soft, damp cloth to prevent dust accumulation.
- Periodically check and tighten all screws and bolts to ensure stability.
- Inspect power cables and connections for any signs of wear or damage.
- Lubricate moving parts as recommended by the manufacturer to ensure smooth operation.
- Avoid placing heavy objects on the workstation to prevent damage to the motor and frame.

Health & Safety

- Do not operate the product while wet or in a damp environment.
- Always disconnect the power before servicing the product.
- Use only the provided power supply and keep the cord away from heat sources and sharp edges.
- Do not attempt to modify or repair the product yourself.
- Keep cords organized to prevent tripping hazards, do not exceed the load capacity, ensure the workstation is stable, adjust the height gradually, and dispose of the product responsibly at end of life.

If you are missing any components, contact our customer services department at support@vonhaus.com

Information

Troubleshooting

Why isn't my workstation moving up or down?

Ensure the power lead is securely plugged in and the power outlet is functioning properly. Check underneath the desk for any obstructions that may be preventing movement.

The workstation is making noise whilst moving. What should I do?

Check whether the desk is overloaded. Remove some items and try again. Ensure the desk is positioned on a level surface.

The desk moves unevenly. What should I check?

Ensure all screws and bolts are properly tightened. Check that the legs are correctly aligned and making even contact with the floor.

The workstation stops suddenly whilst moving. What could be the issue?

This is likely due to overheating. Allow the workstation to cool down for a few minutes before trying again.

Specifications

Worksurface Weight Capacity:
20kg (44lbs)

Keyboard Weight Capacity:
2kg (4.4lbs)

Power Input: 220-240v

Information

Customer Service

If you are having difficulty using this product and require support, please contact support@vonhaus.com

Warranty

To register your product and find out if you qualify for a free extended warranty please go to www.vonhaus.com/warranty

Please retain a proof of purchase receipt or statement as proof of the purchase date.

The warranty only applies if the product is used solely in the manner indicated in the warnings page of this manual, and all other instructions have been followed accurately.

Any abuse of the product or the manner in which it is used will invalidate the warranty.

Returns

Returned goods will not be accepted unless re-packaged in its original packaging and accompanied by a relevant and completed returns form. This does not affect your statutory rights.

No rights are given under this warranty to a person acquiring the appliance second-hand or for commercial or communal use.

Copyright

All material in this instruction manual are copyrighted by DOMU Brands.

Any unauthorised use may violate worldwide copyright, trademark, and other laws.

Thank You

Thank you for purchasing your product/appliance.

Should you require assistance with your purchase, please contact us at support@vonhaus.com

Vonhaus is a registered trademark of DOMU Brands Ltd.

Made in China for DOMU Brands Ltd.
Unit 30, Stakehill Industrial Estate
Middleton, Manchester, M24 2RW

EU Authorised Representative

Authorised Representative Service
77 Camden Street Lower
Dublin, D02 XE80
Ireland

Let's get started!

Visit our product hub for useful tips and tricks on getting the most out of your new product.

SCAN ME

