

BLACK 15 DRAWER STORAGE TROLLEY

08/138 08/139 - Instruction Manual



CONTENTS

Safety Instructions

1

Components

2

Assembly

3

Cleaning & Maintenance, Warranty

4

WARNING

PLEASE READ THESE INSTRUCTIONS CAREFULLY AND KEEP FOR FUTURE REFERENCE

IMPORTANT SAFETY INSTRUCTIONS.

This 15 Drawer Trolley is intended for indoor use only.

Do not use the Drawer Trolley for any purpose other than that for which it is designed.

This product is not intended as a climbing structure and is not a toy. Children should be supervised to ensure they do not play with the Drawer Trolley.

Assemble only as instructed in this manual. Improper installation may result in personal injury or damage to the product and may be considered customer misuse.

CAUTION: The assembly pack contains small parts which pose a choking hazard to children and animals. Keep children and pets clear at all times during assembly.

We recommend that two people are present to assemble the Drawer Trolley.

Do not overtighten any parts during assembly as this will damage the unit.

Ensure the Drawer Trolley is correctly assembled before moving it or loading with heavy items.

Locate the Drawer Trolley in a suitable area where it will not create an obstruction.

Keep well away from sources of heat, damp or moisture such as fireplaces, radiators and showers/saunas.

Ensure the Drawer Trolley is placed on a flat, level surface.

Only use in an upright and stable position.

Do not overload the Drawers. For safety and stability, heavier items should always be placed in the bottom Drawers. Do not place items which overhang the Drawers onto the Drawer Trolley.

Maximum weight capacity: 1.5kg (per Small Drawer)/3kg (per Large Drawer). 30kg total.

WARNING! If moving the Drawer Trolley, firmly grasp the Trolley via the Spacing Rail at the top of the frame, ensuring the Top Shelf is clear. It is advisable to remove the Drawers and contents if moving the Trolley across slopes or inclines.

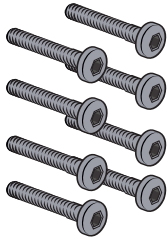
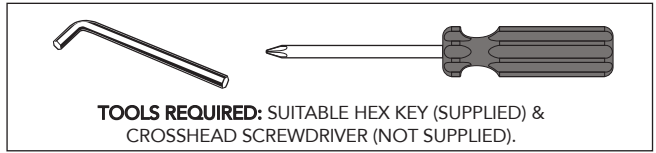
Do not clean the Drawers with any abrasive chemicals, solvents or detergents as these may cause damage to the surface of the unit.

To ensure continued safety, check the unit is secure and safe to use at regular intervals (every 3 months). Take appropriate action to rectify any unstable or unsafe units. Re-tighten the fittings 1 week after initial assembly.

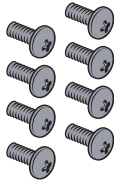
If you do not understand these directions, or have any doubts regarding the safety of the assembly, please seek advice and guidance from a qualified person.

COMPONENTS

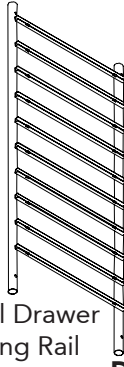
ENSURE THE FOLLOWING COMPONENTS ARE IN THE BOX BEFORE PROCEEDING WITH ASSEMBLY.



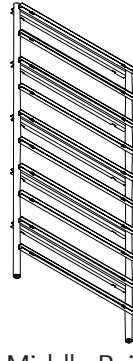
A (x12)



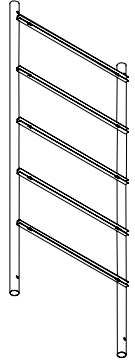
B (x15)



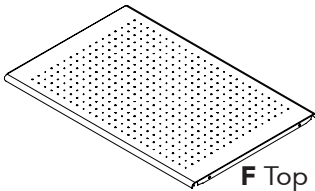
C Small Drawer Spacing Rail (x1)



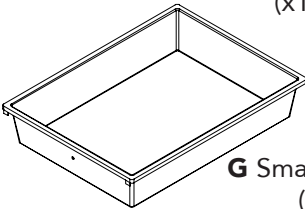
D Middle Rail (x1)



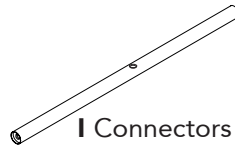
E Large Drawer Spacing Rail (x1)



F Top Shelf (x1)



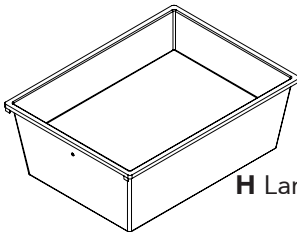
G Small Drawers (x10)



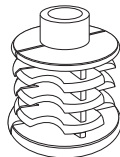
I Connectors (x4)



J Drawer Knobs (x15)



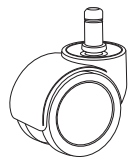
H Large Drawers (x5)



K Bottom Caps (x4)



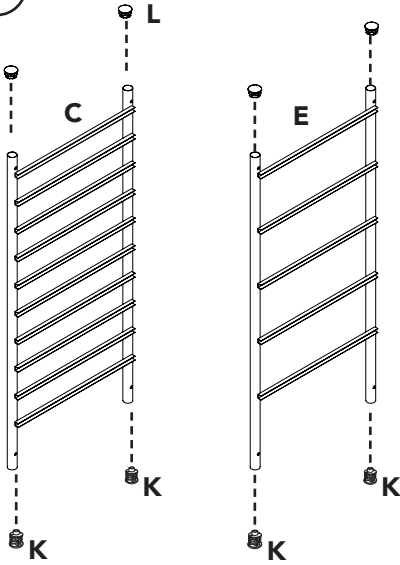
L Top Caps (x4)



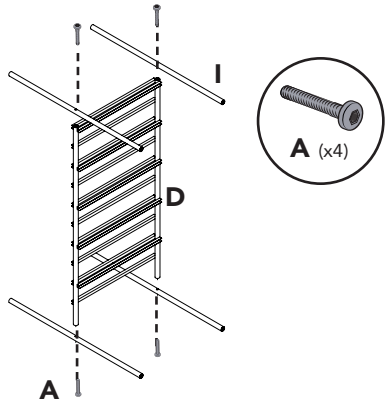
M Wheels (x4)

ASSEMBLY

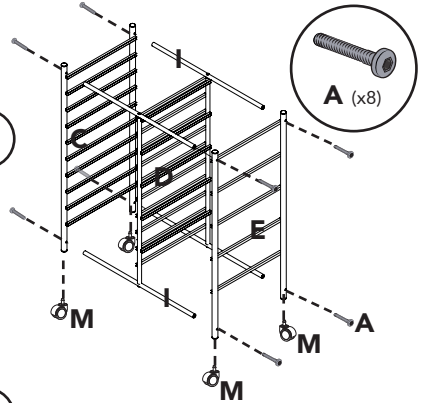
1



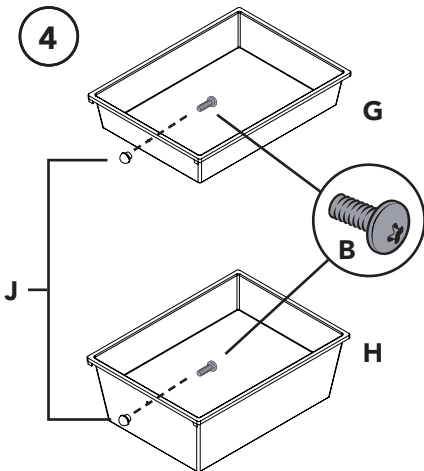
2



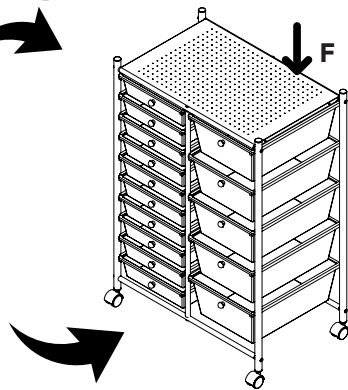
3



4



5



CLEANING & MAINTENANCE

- A weekly dust will help shift the filmy layer of airborne deposits that build up over time and can scratch the surface of your furniture.
- Dampen a clean, dry cloth (non-scratching and preferably microfibre) with water and gently wipe the surface. The moisture will collect the dust and prevent any flyaway dust particles.
- Lightly dust up the rest. Feather dusters work well, or a small vacuum nozzle for helping get into any tight spaces and crevices.
- Avoid using any abrasive cleaning solvents on the Drawer Trolley as they may damage the surface.

CUSTOMER SERVICES

If you are having difficulty using your product and require support, please contact
hello@domu.co.uk

DISPOSAL INFORMATION

Please recycle where facilities exist. Check with your local authority for recycling advice.

WARRANTY

To register your product and find out if you qualify for a free extended warranty, go to:

www.VonHaus.com/warranty

Please retain a proof of purchase receipt or statement as proof of the purchase date.

The warranty only applies if the product is used solely in the manner indicated in this manual and all instructions have been followed accurately. Any abuse of the product or the manner in which it is used will invalidate the warranty.

Returned goods will not be accepted unless re-packaged in its original packaging and accompanied by a relevant and completed returns form. This does not affect your statutory rights.

No rights are given under this warranty to a person acquiring this unit second-hand or for commercial or communal use.

COPYRIGHT

All material in this instruction manual are copyrighted by DOMU Brands Ltd.

Any unauthorised use may violate worldwide copyright, trademark, and other laws.



VonHaus.com

Thank you for purchasing the 15 Drawer Trolley.

VonHaus® is a registered trademark of DOMU Brands Ltd
Made in Taiwan for DOMU Brands Ltd M24 2RW.

