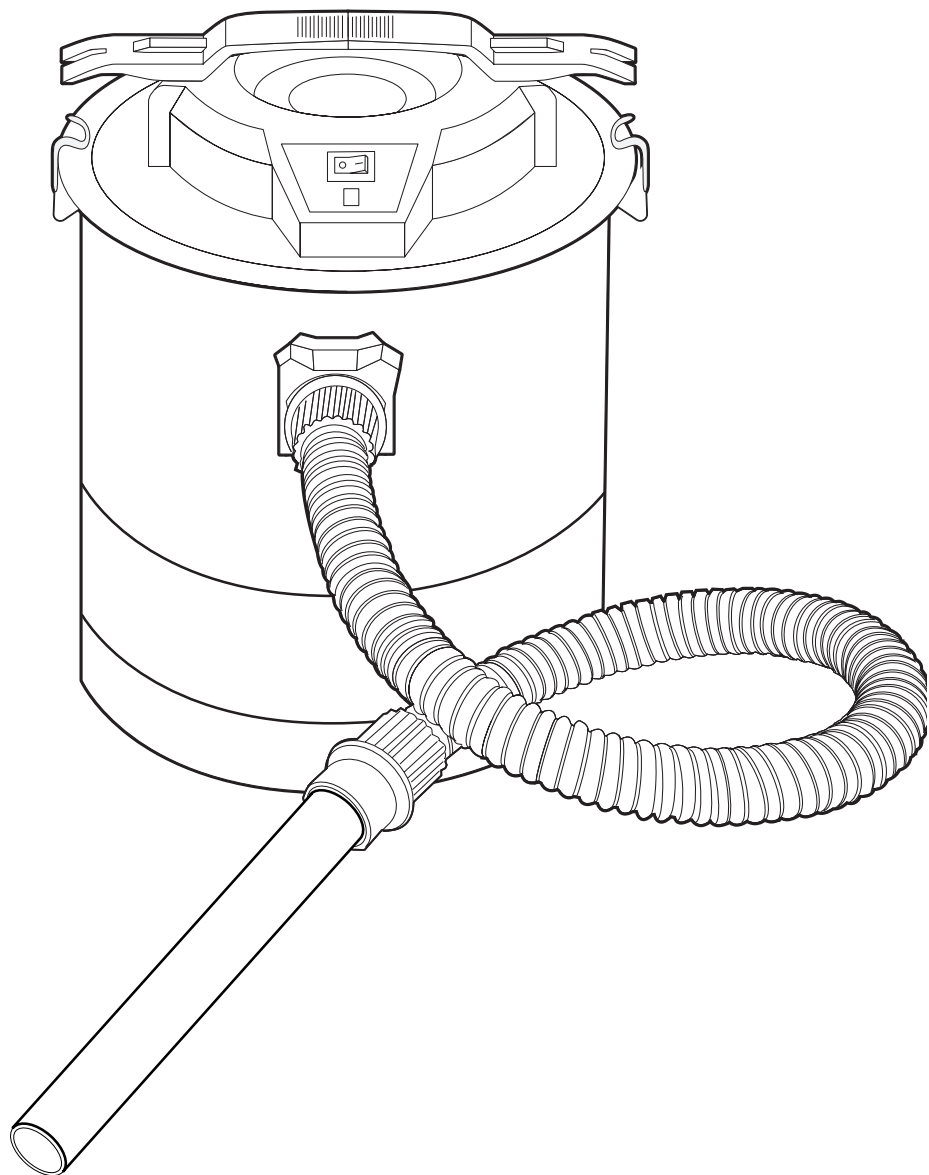


vonhaus

ASH VACUUM



Setup Instructions

Product No. 350060.1

Need further help?
support@vonhaus.com

Besoin d'aide supplémentaire ?
support@vonhaus.com

Benötigen Sie weitere Hilfe?
support@vonhaus.com

Necesita más ayuda?
support@vonhaus.com

Hai bisogno di ulteriore assistenza?
support@vonhaus.com

See our full range at
www.vonhaus.com

Découvrez notre gamme complète sur
www.vonhaus.com

**Entdecken Sie unser gesamtes
Sortiment auf**
www.vonhaus.com

Descubra toda nuestra gama en
www.vonhaus.com

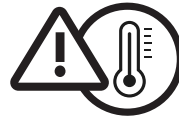
Scopri tutta la nostra gamma su
www.vonhaus.com

Important Safety Notice

ATTENTION: This vacuum must only be used on cool ash with a temperature no higher than 40°C (104°F). Using the vacuum on hot ash can cause damage to the appliance and pose a safety risk.



Please read all instructions carefully before use and retain for future reference.



Attention! This appliance has a thermal cut out switch. The thermal cut out will activate and shut down the appliance should it overheat. Unplug and allow to cool for 60 minutes before re-use.



disconnect appliance from mains before cleaning, maintenance or after a thermal cut out event.



Do not immerse in water.



Do not use outdoors.

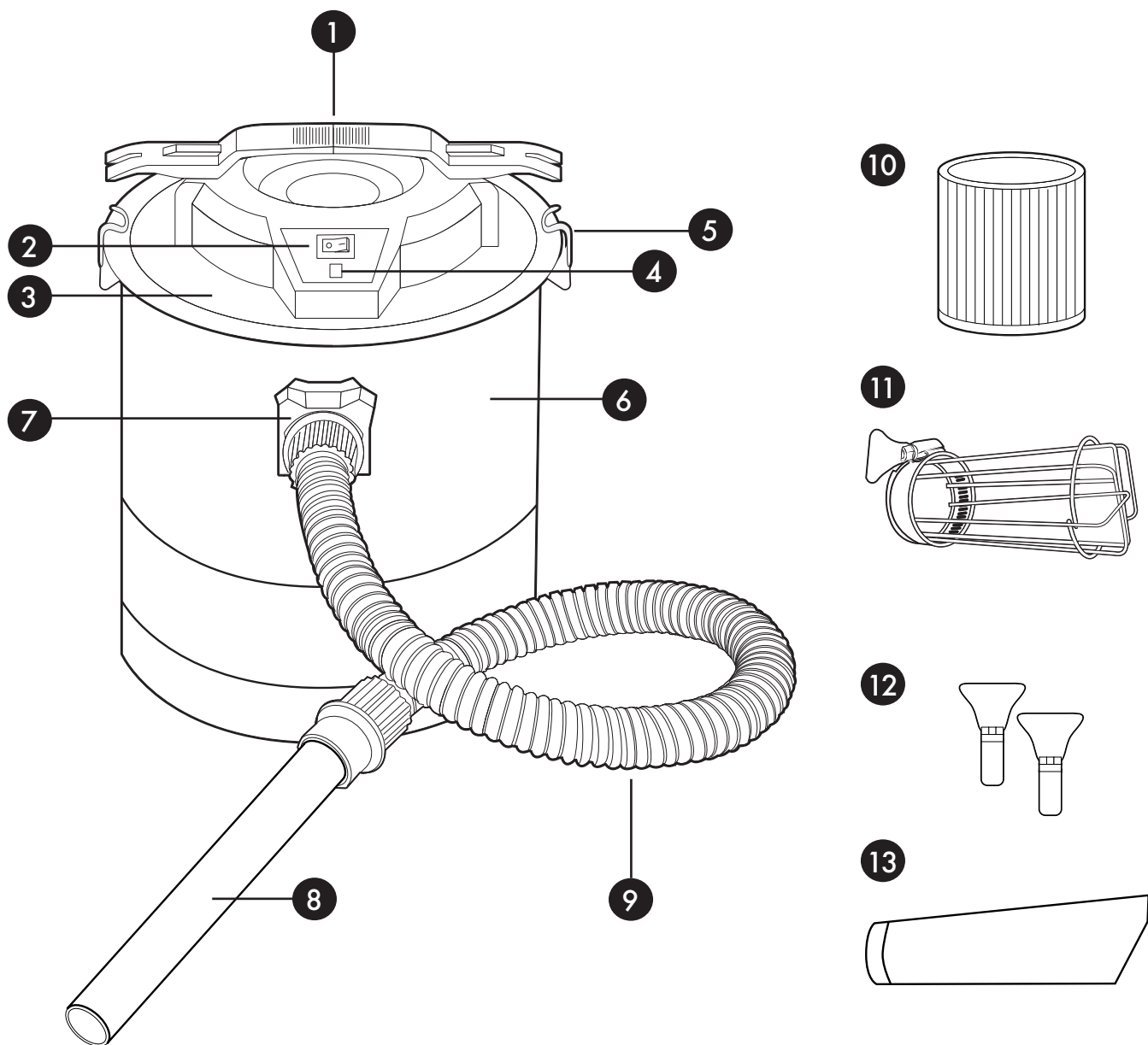


Do not use outdoors



Do not cover.

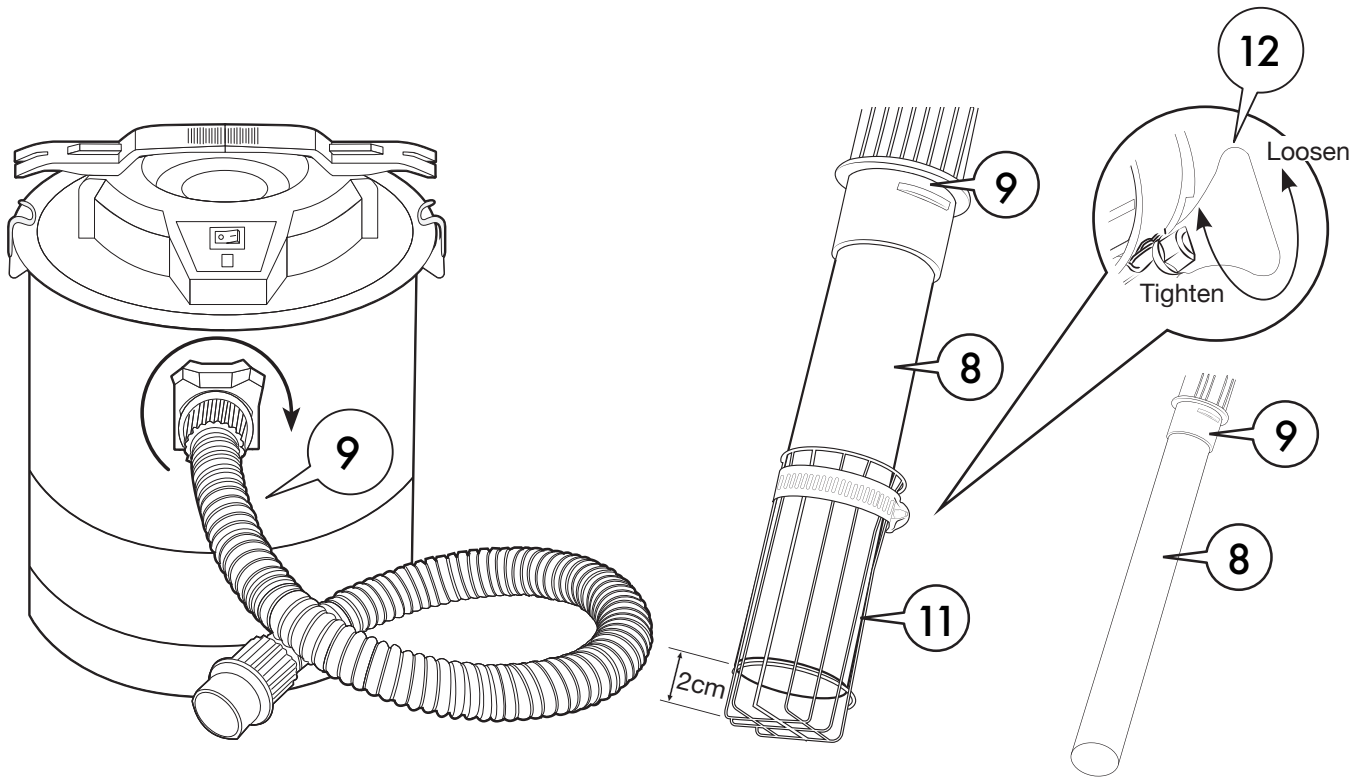
Components



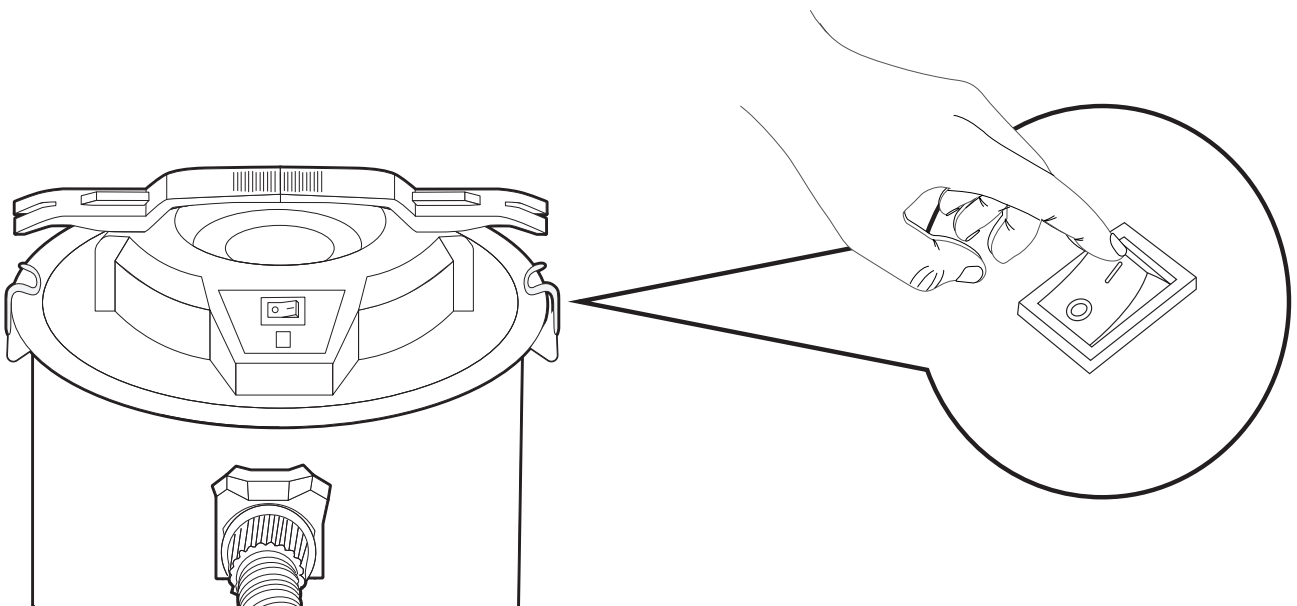
- 1. Handle
- 2. On/Off Switch
- 3. Appliance Head
- 4. Filling Level Indicator
- 5. Locking Hook
- 6. Tank
- 7. Suction Hose Connector

- 8. Round Nozzle
- 9. Flexible Hose
- 10. Cartridge Filter
- 11. Mesh Nozzle Attachment
- 12. Jubilee Clips (2 pcs)
- 13. Aluminum Crevice Nozzle

Assembly

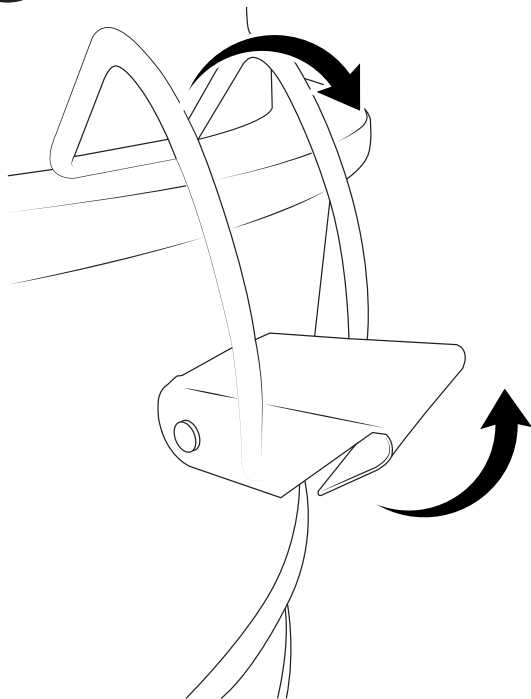


Operation

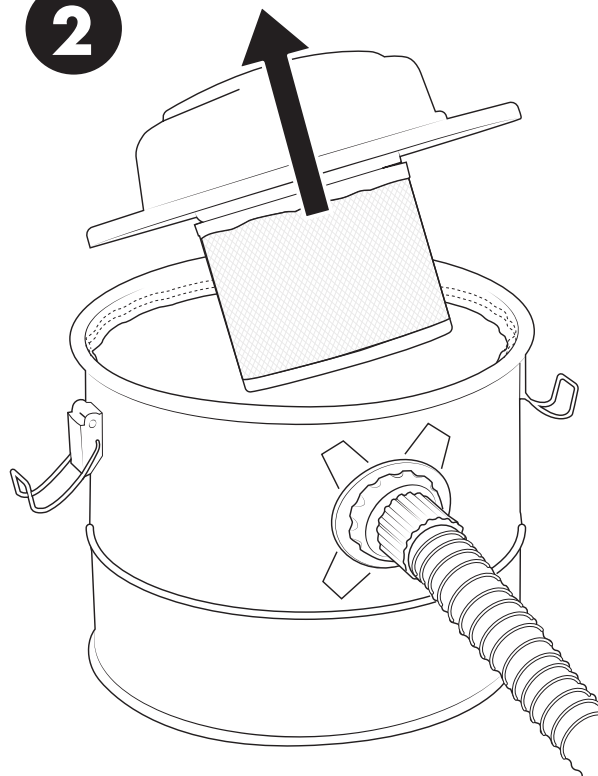


Cleaning the Filters

1



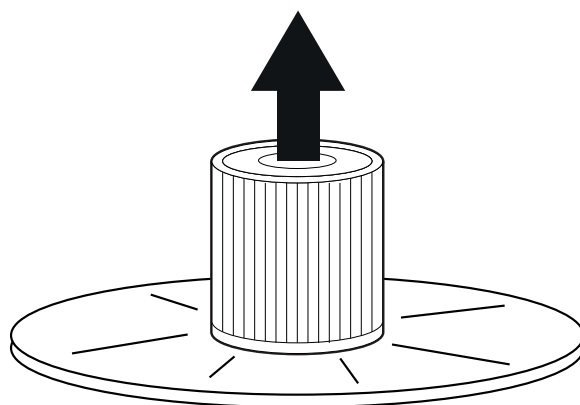
2



3

Filter Instructions

1. To remove the HEPA filter from the main unit, twist and lift it.
2. Clean the filter from the inside out using a damp, clean cloth.
3. Do not immerse the filter in water. Ensure the filter is completely dry before use.
4. Do not use the ash filter without the HEPA filter in place.



Information

Important Safety Notice

ATTENTION: This vacuum must only be used on cool ash with a temperature no higher than 40°C (104°F). Using the vacuum on hot ash can cause damage to the appliance and pose a safety risk.

Filling Level Indicator

The ash vacuum is fitted with a filling level indicator.

If the filling level indicator shows a red bar, tank contents and filter should be emptied or cleaned. The red bar indicates severe soiling of the filter; this can also be when the tank is not yet full. You must then tap on the filter to clear it again.

Troubleshooting

Vacuum Will Not Start

- 1. Remove and Reinsert the Plug:** Disconnect the vacuum from the mains and then reinsert the plug.
- 2. Check Connections:** Ensure that all components are securely connected.
- 3. Inspect the HEPA Filter:** Confirm that the HEPA filter is securely in place.

Loss of Suction

- 1. Check for Obstructions:** Inspect the flexible hose, metal tube, attachment, HEPA filter, and all openings for any obstructions and remove them.
- 2. Clean Filters:** Clean the HEPA filter (see the 'Cleaning the Filters' section on the previous page).
- 3. Verify Component Connections:** Ensure that all components are securely connected.
- 4. Attach Mesh Nozzle Attachment:** Make sure the mesh nozzle attachment is fitted before cleaning up large clumps of debris to prevent potential blockages.

Vacuum Cuts Out

The thermal cut-out may have activated. To reset the vacuum:

- 1. Empty the Tank:** Remove and dispose of any contents in the tank.
- 2. Check for Blockages:** Remove any blockages and/or clean the filters.
- 3. Allow to Cool:** The appliance will become operational again after allowing 30-60 minutes for it to cool down.

Information

Intended Use

This appliance is intended for domestic use only. It is not intended for use in commercial or industrial environments and is not suitable for use outdoors or on wet surfaces.

This appliance is not intended for use by persons (including children) with reduced physical, sensory or mental capabilities, or lack of experience and knowledge, unless they have been given supervision or instruction concerning use of the appliance by a person responsible for their safety. Do not allow to be used as a toy. Close attention is necessary when used near children.

General Precautions

When using any electrical appliance, basic safety precautions should always be followed to reduce the risk of fire, electrical shock, and injury to persons, including the following:

If the appliance is not functioning properly, has been dropped, damaged, left outdoors or immersed in liquid, do not use, contact DOMU Brands Customer Services.

Do not use the appliance if any parts appear to be faulty, missing or damaged.

Ensure all parts are securely attached before using the appliance.

Cables and Plugs

Check to ensure your electricity supply matches that shown on the rating plate. The appliance must only be used as rated. Preferably, the socket outlet should be protected by a Residual Current Device (RCD). The use of an extension cable is not recommended. Do not handle the

plug or the appliance with wet hands.

Do not pull the cable around sharp edges or corners.

Keep the cable away from heated surfaces.

Do not run the Vacuum over the cable.

Do not leave the appliance unattended when plugged in. Unplug from outlet when not in use, and before performing user maintenance, connecting or disconnecting attachments or changing accessories.

Do not unplug by pulling on the cable. To unplug, grasp the plug, not the cable.

Hold the plug when rewinding the cable on to the reel. Do not allow the plug to whip whilst retracting. Do not use with a damaged cable or plug. If the supply cable is damaged, it must be replaced by a qualified engineer or authorised service agent in order to avoid a hazard.

Risk of Personal Injury

Never use the Ash Vacuum without the HEPA Filter correctly and securely in place.

Do not use any filter other than those supplied with the Ash Vacuum.

Do not use the appliance in areas where flammable or combustible liquids may be present.

When using this appliance for the first time, a smell or vapour may be given off. This will dissipate after a few uses.

Only use the Ash Vacuum to vacuum the following substances:

- Ashes from admissible fuels
- Cold ashes from fireplaces, wood/coal stoves, ashtrays or grills

Information

Intended Use

NOTE: The term “cold ash” refers to ash that has been left to cool for a sufficient amount of time and is free of any embers. This can be confirmed by examining the ash for pockets of embers using metal tools before operating the ash vacuum. Cold ash does not emit any recognizable heat.

To prevent damage to the product and reduce the risk of fire and/or personal injury, the following objects are strictly prohibited from being collected:

- Anything that is burning or smoking, such as cigarettes, matches, or hot ashes.
- Any hot, burning, or glowing objects.
- Any objects that are hotter than 40°C.
- Ashes or other materials from the fire that are not completely extinguished.
- Soot.
- Reactive liquids (solvents, corrosives, detergents).
- Flammable or explosive substances, such as alcohol and thinners.
- Large or broken objects, such as glass.

WARNING!

Do not use for the separation of health-hazardous dusts (dust classes M).

Keep hair, loose clothing, fingers and all parts of the body away from openings and moving parts.

Do not insert any objects into openings or cover the appliance.

Do not leave the appliance unattended when plugged in. Unplug from the outlet when not in use, and before performing user maintenance, connecting or disconnecting attachments or

changing accessories.

Use only as described in this manual and with DOMU Brands recommended attachments only.

Technical Specification

Rated Voltage: 220-240V~

Rated Power: 1000W

Rated Frequency: 50Hz

Thank You

Thank you for purchasing your product/appliance.

Should you require assistance with your purchase, please contact us at support@domu.co.uk

VonHaus is a registered trademark of DOMU Brands Ltd.

Made in China for DOMU Brands.

Authorised Representative

Authorised Representative Service
77 Camden Street Lower
Dublin, D02 XE80, Ireland

Customer Service Address

Unit 30, Stakehill Industrial Estate,
Middleton, Manchester, M24 2RW

Legal

DISPOSAL INFORMATION

Please recycle where facilities exist. Check with your local authority for recycling advice.

CUSTOMER SERVICE

If you are having difficulty using this product and require support, please contact support@vonhaus.com

WARRANTY

To register your product and find out if you qualify for a free extended warranty please go to www.vonhaus.com/warranty.

Please retain a proof of purchase receipt or statement as proof of the purchase date.

The warranty only applies if the product is used solely in the manner indicated in the warnings page of this manual, and all other instructions have been followed accurately.

Any abuse of the product or the manner in which it is used will invalidate the warranty.

RETURNS

Returned goods will not be accepted unless re-packaged in its original packaging and accompanied by a relevant and completed returns form. This does not affect your statutory rights.

No rights are given under this warranty to a person acquiring the appliance second-hand or for commercial or communal use.

COPYRIGHT

All material in this instruction manual are copyrighted by DOMU Brands.

Any unauthorised use may violate worldwide copyright, trademark, and other laws.



Product No. 3500060.1