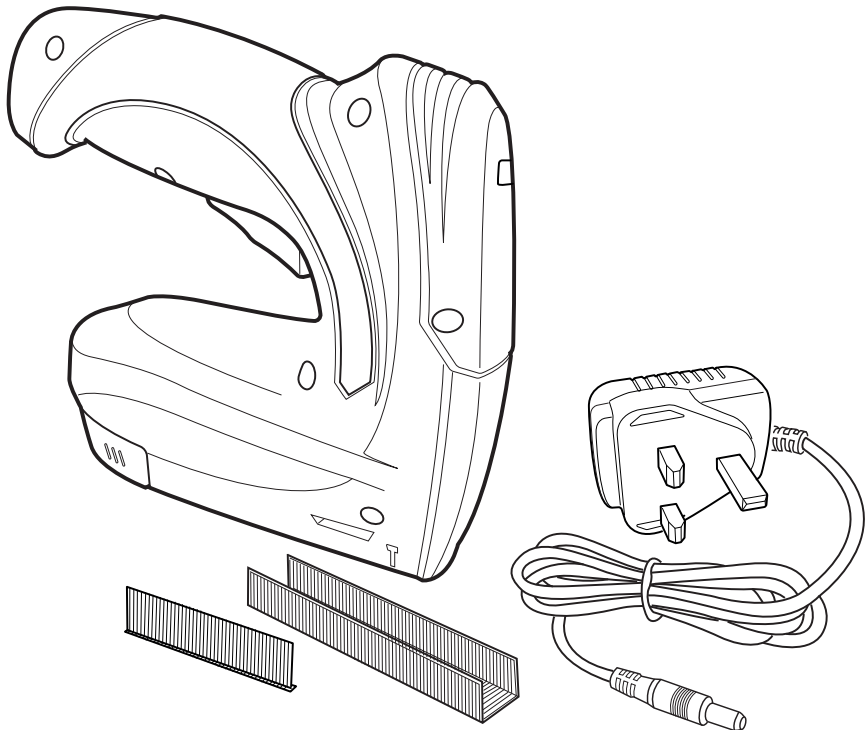


3.6V NAILER & STAPLER

3515196 - Instruction Manual



CONTENTS

Safety Instructions	1
Safety Instructions	2
Safety Instructions	3
Safety Instructions	4
Safety Instructions, Safety Symbols	5
Specification	6

Nail/Staple Specification, Charging the Nailer & stapler, Battery Charge Indicator

7

Inserting Staples/Inserting Nails

8

Operation, Troubleshooting

9

Disposal Information

10

Warranty

11

WARNING

PLEASE READ THESE INSTRUCTIONS CAREFULLY AND KEEP FOR FUTURE REFERENCE

GENERAL SAFETY INFORMATION.

WARNING! Read all safety warnings and all instructions. Failure to follow the warnings and instructions may result in electric shock, fire and/or serious injury. Please retain all warnings and instructions for future reference.

The term "power tool" in the warnings refers to your mains-operated (corded) power tools or battery-operated (cordless) power tools.

INTENDED USE.

This 3.6V Nail & Stapler is intended for domestic use only and should not be used for commercial or industrial purposes.

This tool is not intended for use by persons with reduced physical, sensory or mental capabilities, or lack of experience and knowledge, unless they have been given supervision or instructions concerning the use of the tools by a person responsible for their safety. Children should be supervised to ensure they do not play with the tool.

WORK AREA SAFETY.

Keep your work area clean and well lit. Cluttered or dark areas invite accidents. Do not operate power tools in explosive atmospheres such as in the presence of flammable liquids, gases or dust. Power tools create sparks which may ignite the dust or fumes.

Keep bystanders, children and animals away whilst operating a power tool. Distractions can cause you to lose control.

ELECTRICAL SAFETY.

Avoid body contact with earthed or grounded surfaces such as pipes, radiators, ranges and refrigerators. There is an increased risk of electric shock if your body is earthed or grounded. Do not expose power tools to rain or wet conditions. Water entering the power

tools will increase the risk of electric shock.

BEFORE USE.

Stay alert, watch what you are doing, and use common sense when operating a power tool. Do not use power tools whilst you are tired or under the influence of drugs, alcohol or medication. A moment of inattention while operating power tools may result in serious personal injury. Use personal protective equipment.

Always wear eye protection. Protective equipment such as a dust mask, non-skid safety shoes, hard hat, or hearing protection used for appropriate conditions will reduce the risk of personal injury.

Always wear eye protection. Any power tool can throw foreign objects into your eyes and cause permanent eye damage. Always wear safety goggles (not glasses) that comply with ANSI safety standard Z87.1. Every day glasses have only impact resistant lenses. They are not safety glasses.

WARNING! Wearing glasses or goggles not in compliance with ANSI Z87.1 when operating this tool could cause serious injury.

Prevent unintentional starting. Ensure the switch is in the off position before connecting to the power source and/or battery pack, picking up or carrying the tools. Carrying power tools with your finger on the switch, or energising power tools that are switched on, invites accidents.

Remove any adjusting key or wrench before turning the power tool on. A wrench or key left attached to a rotating part of the power tool may result in personal injury.

Dress appropriately. Do not wear loose clothing or jewellery. Keep your hair,

WARNING

PLEASE READ THESE INSTRUCTIONS CAREFULLY AND KEEP FOR FUTURE REFERENCE

clothing and gloves away from moving parts to prevent them from becoming caught in the tool.

IMPORTANT SAFETY INFORMATION FOR USE.

WARNING! Know your 3.6V Nailer & Stapler. Do not plug the tool into the power source until you have read and understand the information in this manual. Learn the tool's applications and limitations, as well as the specific potential hazards related to the tool, to reduce the risk of electric shock, fire or serious injury.

Use the power tool, accessories and tools bits etc. in accordance with these instructions, taking into account the working conditions and the work to be performed. Use of the power tool for operations different from those intended could result in a hazardous situation. Only use accessories designed for use with the tool.

Secure the workpiece. Use clamps or a vice to hold the workpiece as this is safer than using your hand and frees both hands to operate the tool.

Do not use the power tool if the switch does not turn it on and off. A power tool that cannot be controlled with the switch is dangerous and must be repaired.

Do not force the power tool. Always use the correct power tool for your application. The correct power tool will do the job better and safer at the rate for which it was designed.

Do not overreach. Keep proper footing and balance at all times. This will enable better control of the power tool in unexpected situations.

Disconnect the plug from the power source and/or the battery and remove the nails/staples from the power tool before making any adjustments, changing

accessories or storing. Such preventative safety measures reduce the risk of starting the power tool accidentally. Store idle power tools out of reach of children and do not allow persons unfamiliar with the power tool or these instructions to operate the tool. Power tools are dangerous in the hands of untrained users.

Maintain the power tool. Check for misalignment or binding of moving parts, breakage of parts and any other condition that may affect operation. If damaged, have the power tool repaired before use. Many accidents are caused by poorly maintained power tools.

ADDITIONAL SAFETY INFORMATION FOR THE CHARGER.

Tools with Lithium-ion batteries may only be charged with the specifically designed Lithium-ion battery charger purchased with this tool. Do not attempt to charge the battery with any charger other than the one supplied as this is potentially dangerous.

Before using the charger, read all instructions, labels and cautionary markings on the charger.

Do not use the charger for any purpose other than that for which it is intended.

Do not use the charger to charge any device other than the power tool it was sold with.

Do not use an extension cord unless absolutely necessary. The use of an improper extension cord could result in fire or electric shock.

Never attempt to connect two chargers together.

Use the battery charger indoors only.

Make sure that the charger cable is positioned where it will not be stepped on, tripped over or otherwise subjected to damage or stress. Keep the lead away

WARNING

PLEASE READ THESE INSTRUCTIONS CAREFULLY AND KEEP FOR FUTURE REFERENCE

from operating machinery.

Do not place the tool or charger on an uneven surface as a fall may cause serious damage.

Do not operate the charger in a cabinet or other enclosure unless proper ventilation is provided.

Do not place any object onto the charger or allow any object to rest on the charger. Never place the power tool or charger near or over a heat source such as radiator or heater.

WARNING! Never charge your Lithium-ion battery below or above temperatures recommended as this may result in fire or serious damage to the battery.

The most suitable temperatures to charge the battery are between 20°C and 25°C.

WARNING! Do not allow water or any other liquid to come into contact with the charger as this may result in electric shock. Do not position the tool or battery charger near water. Take care not to spill liquid of any kind on the tool or charger.

DANGER! Do not use the charger if it has been subjected to a heavy knock, dropped, or otherwise damaged in any way. Take the charger to an authorised service centre for it to be checked and repaired.

Do not attempt to disassemble the charger. Opening or removing covers may expose you to dangerous voltages or other risks. Incorrect reassembly may result in the risk of fire or electric shock. If there is a problem with the charger or tool, take it to your nearest authorised service centre.

Take the tool or charger to your nearest authorised service centre:

If liquid has been spilled onto the tool or charger, or if rain or water has come into contact with the tool, battery pack or charger.

If the tool or charger does not operate normally after you follow the operating instructions.

If the tool or charger exhibits a distinct degradation in performance.

If the tool or charger are damaged in any way.

Do not pull on the lead of the charger to disconnect it from the mains power socket.

To reduce the risk of electric shock, unplug the charger from the power supply before attempting to clean it. To clean the tool or charger, wipe with a damp cloth. Use of any other cleaners is not recommended.

ADDITIONAL SAFETY INSTRUCTIONS RELATED TO BATTERY SAFETY.

Use only the charger supplied with the tool or DOMU Brands approved replacements.

Charge the power tool only with the charger supplied with the tools or approved replacements and according to the instructions in this manual.

Do not charge the power tool in a place where static electricity is generated or allow the battery to touch something that is statically charged.

The power tool can be stored at temperatures of between 0°C and 40°C.

WARNING! Never store or leave your power tool in temperatures over that recommended as this may result in fire. Do not store the power tool anywhere where the temperature can easily reach temperatures higher than recommended (garden sheds, vehicles in direct sunlight etc.) Think before leaving your power tool in storage.

Always allow the power tool to cool down after charging. Do not leave in a hot environment.

Take care where the power tool is stored.

⚠ WARNING ⚠

PLEASE READ THESE INSTRUCTIONS CAREFULLY AND KEEP FOR FUTURE REFERENCE

Do not store in areas of corrosive fumes, or salt air or similar conditions. Try to store the tool in the packaging it was supplied in.

Do not dispose of the power tool in a fire or put the power tool into a microwave oven, conventional oven, dryer, or high-pressure container as the power tool may explode under these conditions.

Never attempt to open the power tool, puncture the battery or subject the battery to strong physical shock.

If the plastic housing of the power tool breaks open or cracks, discontinue use immediately and do not attempt to recharge. Stop using the power tool if it exhibits abnormal heat, odour, colour, deformation, or is in an abnormal condition.

If you detect leakage or a foul odour, it is especially important to keep the power tool away from fire. If battery liquid leaks onto your skin or clothes, wash well with clean water immediately. If liquid leaking from the battery gets into your eyes, do not rub your eyes; rinse eyes well (for at least 10 minutes) with clean water, and consult a doctor immediately. Never use a leaking battery.

After the power tool has reached the end of its useful life, we recommend recycling the power tool at your local municipal council recycling centre.

DO NOT attempt to replace the battery in your power tool, or repair or modify any part of the battery assembly.

IMPORTANT PRODUCT CARE INFORMATION.

Ensure you have read all of the safety information in the previous pages before using the tools.

Safety devices and circuitry for this power tool are located in the battery pack of this tool. The battery pack

is a vital component, not just for the power source, but also for the full safety control for both the charging and tools operation. If the power tool does become immersed in water or any other liquid, is subject to a severe drop or does not operate within the guidelines of this Instruction manual, discontinue use immediately and have it checked.

The battery is an integral component of this power tool and is fitted with thermal safety devices. Running the tool at close to maximum load, or continual resetting of the overload, will cause the battery to overheat. When a pre-set cell temperature is detected, the battery will automatically stop operating and will not restart until it has cooled to a safe level.

Should this occur, **DO NOT** force-cool the pack by placing in a freezer or similar. Allow the battery time to cool naturally.

Avoid overloading the tool during operation. The tool will stop automatically if overloaded. Overload may occur for a number of reasons, including when the tool is pushed too hard, or when using an attachment greater than what is specified.

NOTE: The battery is more susceptible to overloading when at the lower end of the charge.

The low voltage cut-out feature will operate when the voltage drops below a pre-set value. When this occurs, the tool will stop operating automatically.

NOTE: Attempting to restart the tool in this condition, without recharging the battery will lead to the tool restarting and stopping again after only a few seconds of operation.

These safety devices have been fitted for the safety, reliability and life of the tools.

⚠️ WARNING ⚠️

PLEASE READ THESE INSTRUCTIONS CAREFULLY AND KEEP FOR FUTURE REFERENCE

WHEN TO CHARGE THE BATTERY.

The battery should be fully charged before use.

After it has been used and charged a few times, the battery should be charged for 3-5 hours using the charger.

The battery can be recharged at any time during use, provided the pack has not overheated.

If the battery pack starts to cut out due to low voltage, or tasks previously undertaken can no longer be performed,

time during use, provided the pack has not overheated.

If the battery starts to cut out due to low voltage, or tasks previously undertaken can no longer be performed, it is recommended to stop using the tool and recharge the battery.

For storage, it is recommended to recharge the battery between 50% and 75% charge.

SAFETY SYMBOLS

The following safety symbols may appear on this product. Please ensure you understand their meanings before operating this product in order to prevent personal injury and avoid damage to the tool.



WARNING! Pay attention to all safety and guidance



Read manual before use



Wear eye and ear protection



Wear a dust mask



Wear protective gloves

SPECIFICATION

BATTERY VOLTAGE

DC
3.6V

BATTERY CAPACITY

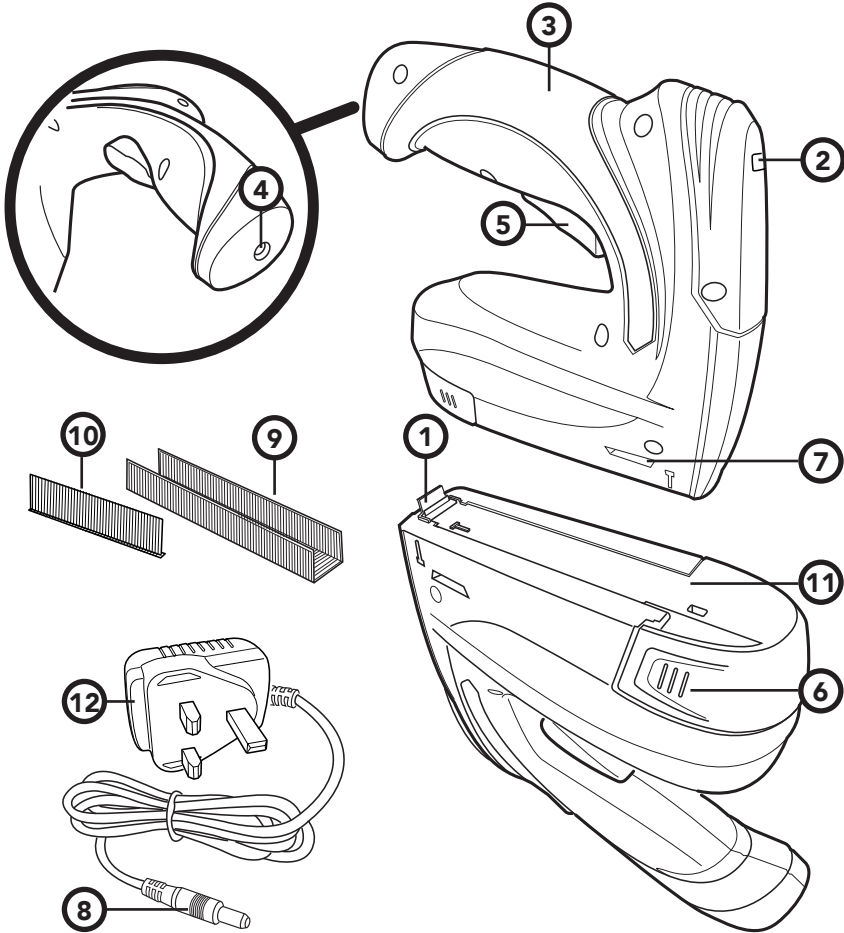
mAh
1300

CHARGE TIME

hrs
3-5

MAGAZINE CAPACITY

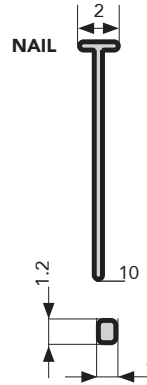
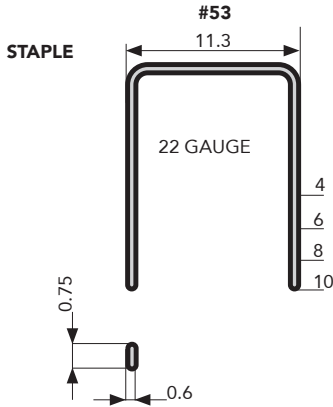
Up to 50 nails
Up to 100 staples



- 1. Tacker Head
- 2. Battery Charge Control Indicator
- 3. Handle
- 4. Socket for Charge Connector
- 5. Trigger
- 6. Magazine Release Button

- 7. Refill Indicator Window
- 8. Plug Connector for Charger
- 9. Staples (x1000)
- 10. Nails (x1000)
- 11. Magazine
- 12. Charger

NAIL/STAPLE SPECIFICATION



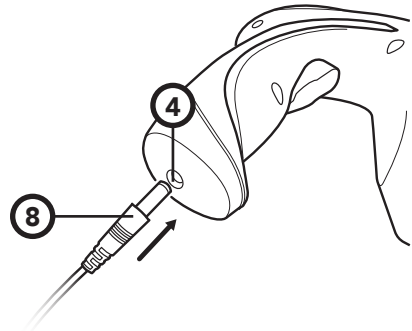
CHARGING THE NAILER & STAPLER

Plug the **CHARGER (12)** into a suitable mains outlet and insert the **PLUG CONNECTOR FOR CHARGER (8)** into the **SOCKET FOR CHARGE CONNECTOR (4)**.

The **BATTERY CHARGE CONTROL INDICATOR (2)** will illuminate **red** while charging.

The Battery will be fully charged when the **BATTERY CHARGE CONTROL INDICATOR (2)** illuminates **green**.

The initial charge of the battery could take between 2-3 hours.



IMPORTANT: Do not fully charge the Battery if it is not to be used for an extended period of time.

BATTERY CHARGE INDICATOR

The Nail & Staple Gun has a **BATTERY CHARGE CONTROL INDICATOR (2)** located on the head of the **HANDLE (3)**. This has 2 different indications:

LED Red = Low Battery

LED Green = Battery OK

NOTE: The **BATTERY CHARGE CONTROL INDICATOR (2)** light will only illuminate when the **TRIGGER (5)** is pressed.

INSERTING STAPLES

WARNING! Ensure to keep hands away from the trigger and take extra care to ensure the trigger cannot be depressed by accidental means.

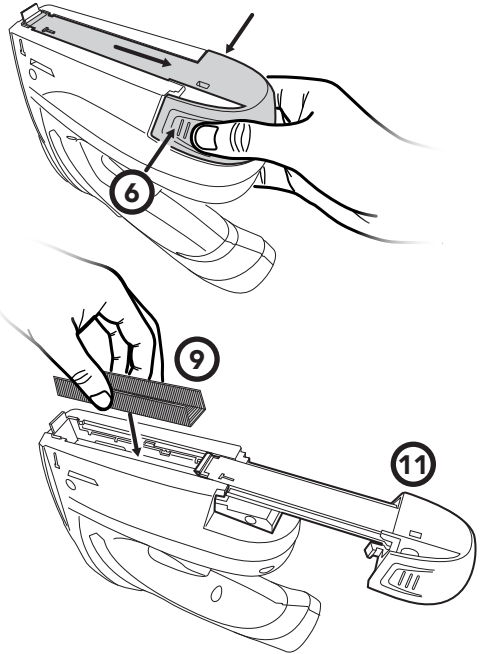
Hold the appliance upside down, keep note to keep hands away from the **TRIGGER (5)**.

Squeeze both sides of the **MAGAZINE RELEASE BUTTON (6)** on the end of the **MAGAZINE (11)** and slide back fully to its end point.

Place the **STAPLES (9)** into the track of the Magazine channel.

CAUTION: Do not mix nails and staples in the Magazine.

Close the **MAGAZINE (11)** until it clicks back into place.



INSERTING NAILS

Hold the appliance upside down, keep note to keep hands away from the **TRIGGER (5)**.

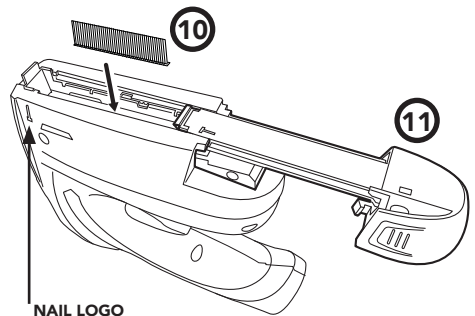
Squeeze both sides of the **MAGAZINE RELEASE BUTTON (6)** on the end of the **MAGAZINE (11)** and slide back fully to its end point.

Place the **NAILS (10)** into the side track of the Magazine channel.

IMPORTANT: Ensure to insert the **NAILS (10)** into the side of the rail that displays the 'nail' logo only.

CAUTION: Do not mix nails and staples in the Magazine.

Close the **MAGAZINE (11)** until it clicks back into place.



OPERATION

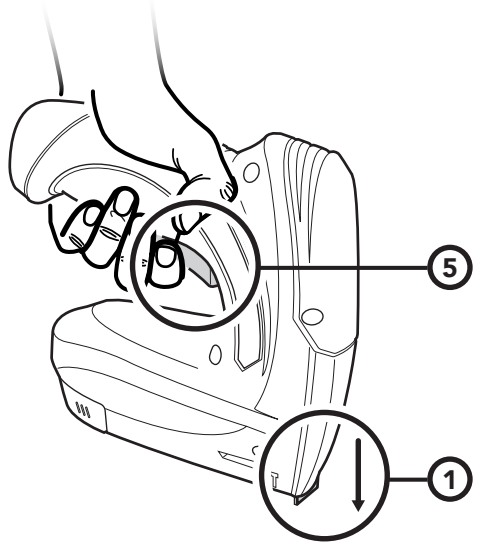
NOTE: The 3.6V Nailer & Stapler will not operate unless both the **TACKER HEAD (1)** and **TRIGGER (5)** are simultaneously depressed.

Holding the 3.6V Nailer & Stapler with a firm grip on the **HANDLE (3)**, place into the desired position and firmly push down so the **TACKER HEAD (1)** is de-pressed.

The 3.6V Nailer & Stapler is now active.

The **TACKER HEAD (1)** now de-pressed, squeeze the **TRIGGER (5)** to deliver a staple or nail round.

Release the **TRIGGER (5)** once a staple or nail is delivered and lift the 3.6V Nailer & Stapler off the surface to release the **TACKER HEAD (1)**.



TROUBLESHOOTING

PROBLEM	SOLUTION
NO POWER	Ensure the Battery is charged and connected correctly. Check that the Charger is working. The Charger Indicator Light should light up when charging the Battery.
TOOL WILL NOT START	The Battery may have run down. Check the Battery Indicator Light for confirmation (see the ' Battery Indicator Light ' section). If necessary, charge the Battery as instructed in the ' Charging the Nailer & Stapler ' section. Check capacity of nails/staples and refill appropriately if needed, following the instructions in the ' Inserting Nails/Staples ' section.
GUN NOT FIRING	Ensure you are applying the two stage safety to activate the Gun. Ensure the Battery is fully charged for maximum efficiency.

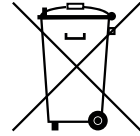
DISPOSAL INFORMATION

For electrical products sold within the European Community, at the end of the electrical product's useful life, it should not be disposed of with household waste. Please recycle where facilities exist.

Contact your local authority for details of collection schemes in your area.

In all circumstances:

- Do not dispose of in domestic waste.
- Do not incinerate.
- Do not abandon in the environment.
- Do not dispose of WEEE as unsorted municipal waste.



HEALTH AND SAFETY FOR BATTERIES

Do not put in fire or mutilate - cells may burst and release toxic material.

Do not short-circuit cells as this may cause fire or burns.

The battery must be removed from the product before being scrapped.

The battery is to be disposed of safely.

BATTERY DISPOSAL INFORMATION

Do not mutilate batteries as corrosive electrolytes and flammable materials will be released.

Do not incinerate – danger of explosion and release of toxic fumes.

Do not dispose of batteries or cells in a charged condition.

Expired Lithium-ion batteries must be recycled/disposed of in accordance with the appropriate regulation or legislation. They should be returned to your local warranty agent/stockist.



Li-ion

DECLARATION OF CONFORMITY

We:

DOMU Brands Ltd
5th Floor The Tower
Deva City Office Park
Manchester
M3 7BF

Declare under our sole responsibility that the product:

SKU: 3515196

Description: VonHaus 3.6V Nailer & Stapler

To which this declaration relates is in conformity with the following directives:

2014/30/EU, 2011/65/EU, 2014/35/EU.

CUSTOMER SERVICE

If you are having difficulty using this product and require support, please contact support@domu.co.uk

WARRANTY

To register your product and find out if you qualify for a free extended warranty please go to

www.Vonhaus.com/warranty.

Please retain a proof of purchase receipt or statement as proof of the purchase date.

The warranty only applies if the product is used solely in the manner indicated in the Warnings page of this manual, and all other instructions have been followed accurately. Any abuse of the product or the manner in which it is used will invalidate the warranty.

Returned goods will not be accepted unless re-packaged in its original packaging and accompanied by a relevant and completed returns form. This does not affect your statutory rights.

No rights are given under this warranty to a person acquiring the appliance second-hand or for commercial or communal use.

COPYRIGHT

All material in this instruction manual are copyrighted by DOMU Brands.

Any unauthorised use may violate worldwide copyright, trademark, and other laws.

USER NOTES

www.VonHaus.com

Thank you for purchasing the 3.6V Nailer & Stapler

VonHaus® is a registered trademark of DOMU Brands Ltd
Made in China for DOMU Brands Ltd M24 2RW

vonhaus