

3519005



Please read all instructions carefully before use and retain for future reference.
Veuillez lire attentivement ces instructions avant utilisation et conservez-les pour pouvoir les consulter à l'avenir.
Bitte lesen Sie die Anleitung sorgfältig und bewahren Sie sie als Referenz auf.
Leed todas las instrucciones detenidamente antes de usar y retened para futuras consultas.
Si prega di leggere attentamente tutte le istruzioni prima dell'uso e conservarle per una futura consultazione.



CAUTION Do not immerse in water.
ATTENTION Ne pas immerger dans l'eau.
VORSICHT Nicht in Wasser tauchen.
PRECAUCIÓN No sumergid en agua.
AVVERTENZA Non immergere nell'acqua.



Wear a dust mask.
Portez un masque anti-poussière.
Tragen Sie eine Staubmaske.
Usad una máscara de polvo.
Indossare una mascherina antipolvere.



Protect your eyes.
Protégez vos yeux.
Schützen Sie Ihre Augen.
Protejed sus ojos.
Proteggere gli occhi.



Protect your ears.
Protégez vos oreilles.
Schützen Sie Ihre Ohren.
Protejed vuestros oídos.
Proteggere le orecchie.



Protect your eyes.
Protégez vos yeux.
Schützen Sie Ihre Augen.
Protejed sus ojos.
Proteggere gli occhi.



Protect your hands.
Protégez vos mains.
Schützen Sie Ihre Hände.
Protejed vuestras manos.
Proteggere le mani.



EN

Please read and understand these instructions before you use your product. Failure to do this may result in personal injury or damage to the product. This manual should be kept with the product.
The safety precautions and warnings are to ensure your safety and protect you from harm or damage to the product.
The information contained in this manual was accurate at the time of production, however, VonHaus may make modifications to the product without notification.

WARNING! You must read these instructions carefully before operating the machine. Make sure that you are familiar with the controls and properly operate the machine. You must learn how to stop the machine quickly.

If you do not follow the warnings and instructions, it may result in fire and/or serious injury. Make sure to save all warnings and instructions for future reference.

Read this manual and labels affixed to the machine to understand its limitations and potential hazards.

Be thoroughly familiar with the controls and their proper operation. Know how to stop the machine and disengage the controls quickly.

If the unit is to be used by someone other than original purchaser, or is to be loaned, rented, or sold, always provide this manual and any needed safety training before operation. The user can prevent and is responsible for accidents or injuries that may occur to themselves, to other people, or to property.

Do not force the machine beyond its limits. Use the correct machine for your application.

Know how to stop the machine quickly in case of emergency. Understand the use of all controls.

ALL MAINTENANCE other than that listed in this manual, should be carried out by professionally trained and certified personnel.

When using this machine for the first time and before actual work, you **MUST** learn how to handle the machine from an experienced or skilled person.

PLUGS & CABLES

Prior to carrying out any maintenance work you **MUST** identify electrical isolation methods and isolate all electrical supplies.

Prior to use and with all electrical supplies isolated, you **MUST** check all electrical cables, plugs and connectors for the following -

Are intact and have no signs of damage, to include but not limited to bare wires, chaffing, cuts and loose wiring. If there are any signs of damage, the damaged item **MUST** be taken out of service until the damage has been repaired by an electrically competent person.

All trailing cables should be routed so as not to cause any kind of trip hazard.

NEVER work on or near electricity with wet hands, wet clothing and wet gloves.

Power tools plug must match the outlet. Never modify the plug in any way.

DO NOT use any adapter plugs with earthed (grounded) power tools. Unmodified plugs and matching outlets will reduce risk of electric shock.

DO NOT expose this power tool to rain or wet conditions. Water entering a power tool will increase the risk of electric shock. **DO NOT** abuse the power cord. Never use the cord for carrying, pulling or unplugging the power tool. Keep the cord away from heat, oil and sharp edges or moving parts. Damaged or entangled cords increase the risk of electric shock. When operating a power tool, use an extension cord suitable for outdoor use. Use of a cord suitable for outdoor use reduces the risk of electric shock.

IMPORTANT: Make sure that the electric circuit is fused, and that the power, voltage and frequency of the motor is supported by your mains supply. Also, make sure that your power supply is earthed. Connect your machine to earth.

Never open the ON/OFF switch-box. However, if it should become necessary to do so, contact a qualified electrician. Make sure that you will never touch live contacts, specifically when you plug or unplug your machine. This machine and its power cord must never get into contact with water.

Avoid body contact with earthed or grounded surfaces such as pipes, radiators, ranges and refrigerators. There is an increased risk of electric shock if your body is earthed or grounded.

To prevent electric shock, use only with an extension cord suitable for outdoor use. For additional protection, the installation of a residual current device (RCD) having a rated residual operating current not exceeding 30mA is advisable.

Before use, check that the extension cord is in good condition. When using an extension cord, make sure to use

one heavy enough to carry the current your product will draw. An undersized cord will cause a drop in line voltage resulting in loss of power and overheating.

DO NOT allow any part of the machine to make contact with water while it is in operation. If the appliance becomes wet while turned off, wipe dry before starting.

DO NOT touch the appliance or its plug with wet hands or while standing in water. Wearing rubber boots offers some protection.

Before use, check the supply and extension cord for signs of damage or aging. If the cord becomes damaged during use, disconnect the cord from the supply immediately. If the supply cord is damaged, it must be replaced by the manufacturer or a qualified person in order to avoid a hazard.

INTENDED USE Only operate the power tool/machine for its intended purpose and within the parameters specified in this manual.

This power tool/machine is for domestic use only. Do not use on wet surfaces/wet conditions.

This power tool/machine is not intended for use by persons with reduced physical, sensory or mental capabilities, or lack of experience and knowledge, unless supervised or given appropriate instruction concerning the product's use by a person responsible for their safety.

GENERAL PRECAUTION Do not allow to be used as a toy. Children should be supervised to ensure they do not play with the power tool/machine.

If the power tool/machine is not functioning properly, has been dropped, damaged, left outdoors, or immersed in liquid, do not use, contact DOMU Brands Customer Services.

Do not use the power tool/machine if any parts appear to be faulty, missing or damaged.

Ensure all parts are securely attached before use.

RISK OF PERSONAL INJURY Avoid body contact with earthed or grounded surfaces such as pipes, radiators, ranges and refrigerators. There is an increased risk of electric shock if your body is earthed or grounded.

Prevent unintentional starting. Ensure the switch is in the off position before connecting to the power source and/or battery pack, picking up or carrying the tool. Carrying

power tools with your finger on the switch, or energising power tools that are switched on, invites accidents. Do not operate power tools in explosive atmospheres such as in the presence of flammable liquids, gases or dust. Power tools create sparks which may ignite the dust or fumes.

Always wear eye protection. Any power tool can throw foreign objects into your eyes and cause permanent eye damage. Always wear safety goggles (not glasses) that comply with ANSI safety standard Z87.1. Every day glasses have only impact resistant lenses.

Do not expose power tools to rain or wet conditions. Water entering the power tools will increase the risk of electric shock.

Stay alert, watch what you are doing and use common sense when operating a power tool/machine. Do not use a power tool/machine while you are tired or under the influence of drugs, alcohol or medication. A moment of inattention while operating power tool/machine may result in serious personal injury.

Use personal protective equipment. Always wear eye protection. Protective equipment such as dust mask, non-skid safety shoes, hard hat, or hearing protection used for appropriate conditions will reduce personal injuries.

Prevent unintentional starting. Ensure the switch is in the off-position before connecting to power source and/or battery pack, picking up or carrying the tool.

Carrying power tool/machine with your finger on the switch or energizing power tool/machine that have the switch on invites accidents.

Remove any adjusting key or spanner before turning the power tool/machine on. A spanner or a key left attached to a rotating part of the power tool/machine may result in personal injury.

Do not overreach. Keep proper footing and balance at all times. This enables better control of the power tool/machine in unexpected situations.

Dress appropriately. Do not wear loose clothing or jewellery.

Keep your hair, clothing and gloves away from moving parts. Loose clothes, jewellery or long hair can be caught in moving parts.

If devices are provided for the connection of dust extraction and collection facilities, ensure these are connected and properly used. Use of dust collection can reduce dust-related hazards.

WORK AREA SAFETY Keep work area clean and well lit. Cluttered or dark areas invite accidents.

Do not operate power tool/machine in explosive atmospheres, such as in the presence of flammable liquids, gases or dust.

Power tool/machine create sparks which may ignite the dust or fumes.

Keep children and bystanders away while operating a power tool/machine. Distractions can cause you to lose control.

GENERAL POWER TOOL USE AND CARE Do not force the power tool/machine. Use the correct power tool/machine for your application. The correct power tool/machine will do the job better and safer at the rate for which it was designed.

Do not use the power tool/machine if the switch does not turn it on and off. Any power tool/machine that cannot be controlled with the switch is dangerous and must be repaired.

Disconnect the plug from the power source and/or the battery pack from the power tool/machine before making any adjustments, changing accessories, or storing power tool/machine tools. Such preventive safety measures reduce the risk of starting the power tool/machine accidentally.

Store idle power tool/machine out of the reach of children and do not allow persons unfamiliar with the power tool/machine or these instructions to operate the power tool/machine.

Do not use the tool for extended periods of time. Use in short periods with rest in between. The tool produces excessive vibration which can result in loss of sense of touch, numbness, tingling and reduced ability to grip. Long term exposure can lead to a chronic condition. If necessary, limit the length of time exposed to vibration and use anti-vibration gloves.

CAUTION The tool may bounce upward and/or jump forward if the tines strike extremely hard-packed soil, frozen grounds or buried obstacles such as large stones, roots or stumps. If the tool strikes a foreign body, turn it off immediately and check for the cause. Repair before restarting.

WARNING Do not operate the tool near underground electrical cables, telephone lines, pipes or hoses.

When charging accessories, always ensure the machine is unplugged.

TECHNICAL SPECIFICATION

Rated Voltage 220-240V
Rated Power 1600W
Rated Frequency 50/60Hz

Power tool/machines are dangerous in the hands of untrained users.

Maintain power tool/machines. Check for misalignment or binding of moving parts, breakage of parts and any other condition that may affect the power tool/machines operation. If damaged, have the power tool/machines repaired before use. Many accidents are caused by poorly maintained power tool/machines.

Keep cutting tools sharp and clean.

Properly maintained cutting tools with sharp cutting edges are less likely to bind and are easier to control.

Use the power tool/machine accessories and tool bits in accordance with these instructions, take into account the working conditions and the work to be performed.

Use of the power tool/machine for operations different from those intended could result in a hazardous situation.

CLEANING & MAINTENANCE Never soak or immerse electrical components and or a component that has a plug attached.

Disconnect the plug from the power source before making any adjustments, changing accessories, or storing. Such preventive safety measures reduce the risk of starting the power tool accidentally.

Ensure the motor has fully stopped before cleaning, clearing a blockage, checking, or carrying out any maintenance on the tool.

Maintain your power tool. Check for misalignment or binding of moving parts, breakage of parts and any other condition that may affect the power tool's operation. If damaged, have the power tool repaired by a qualified repair person before use. Many accidents are caused by poorly maintained power tools.

Keep cutting tools sharp and clean. Properly maintained cutting tools with sharp cutting edges are less likely to bind and are easier to control.

Regularly check external nuts and fixings to ensure vibration caused by normal use has not begun to loosen them. Store idle power tools out of reach of children and do not allow persons unfamiliar with the power tool or these instructions to operate the Breaker.

Locate the power tool out of reach of children, in a dry, locked unit.

Make sure that the cord is located so that it will not be stepped on, tripped over, or otherwise subjected to damage or stress.

Remove the plug from the mains socket / battery (where applicable) before carrying out any adjustment or maintenance.

Always store the power tool/machine in a dry place.

If the power cord is damaged, it must be replaced by a qualified service technician.

Keep the ventilation slots and motor housing as free of dirt and dust as possible (where applicable).

Clean the power tool/machine by rubbing it with a clean cloth and blow it clean using low-pressure compressed air is recommended.

Ensure you have all the pieces listed. If you are missing any components, contact our customer services department at support@domu.co.uk.

DO NOT proceed with assembly if any components are missing.

Before starting the tool, make sure the tines are not touching any object and are free to move.

Grip the Push Bar firmly with both hands. Never operate with one hand. Do not overreach – keep proper footing and balance at all times.

Do not use the tool on a slope that is too steep for safe operation. When on slopes, slow down and ensure you have good footing. Do not operate the tool whilst tired or under the influence of alcohol, drugs or medication.

Keep children, pets and bystanders away while operating the tool. Distractions can cause accidents or injury.

Walk, never run with the tool.

DECLARATION OF CONFORMITY

We

DOMU Brands Ltd
Unit 30, Stakehill Industrial Estate, Middleton, Manchester, M24 2RW

Declare under our sole responsibility the product:

SKU
3519005

Description

2 in 1 Aerator/Scarifier

Complies with the essential requirements of the following directives:

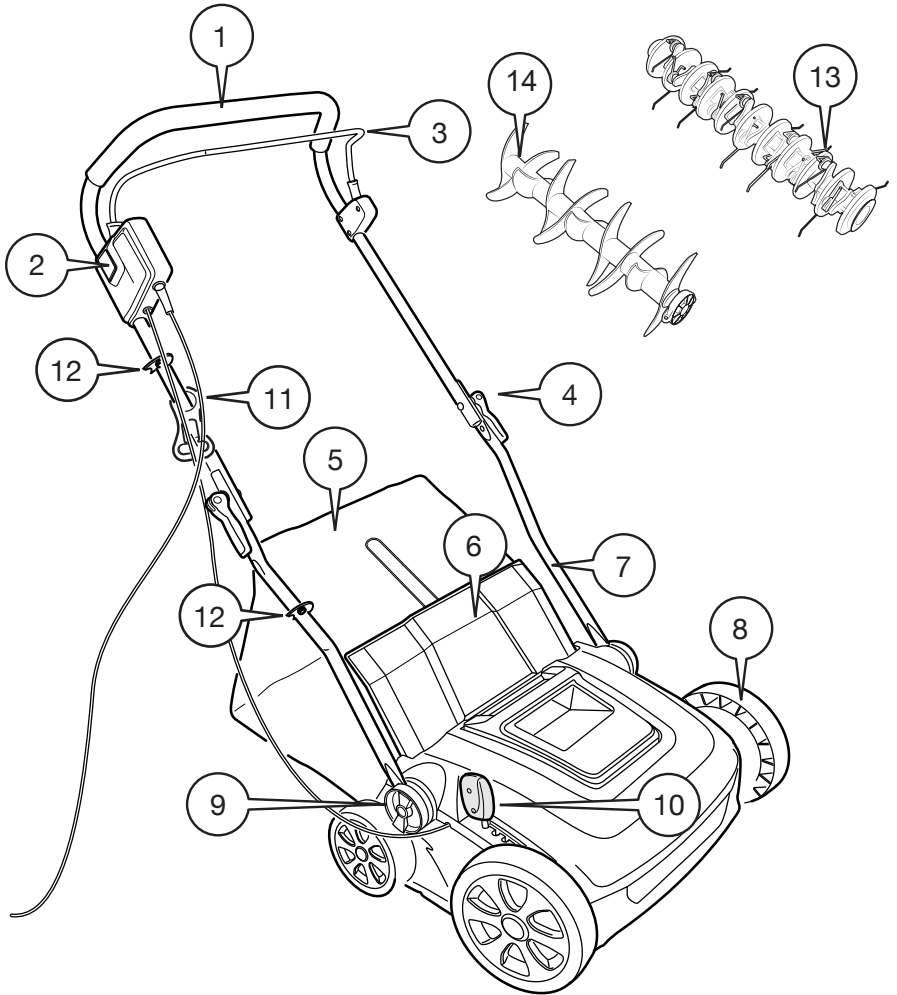
2006/42/EC
2014/30/EU
2011/65/EU/mit
2015/863/EU

And the Standards /

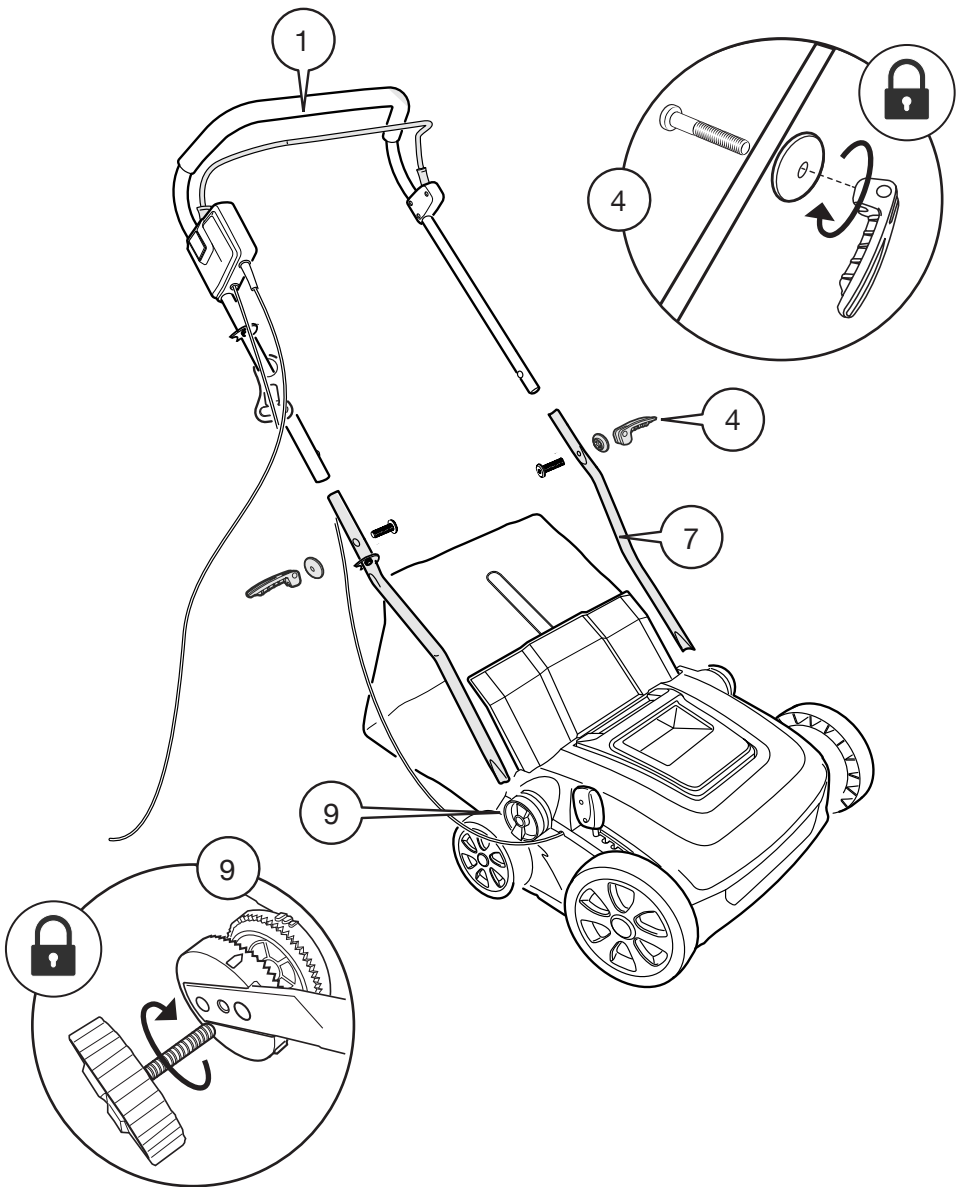
EN 60335-1:2012+A11+A13+A1+A14+A2, EN 62233:2008, EN 50636-2-92, 2014, AfPS GS 2019:01 PAK, EN IEC 55014-1:2021, EN IEC 55014-2:2021, EN IEC 61000-3-2:2019+A1EN 61000-3-3:2013+A1

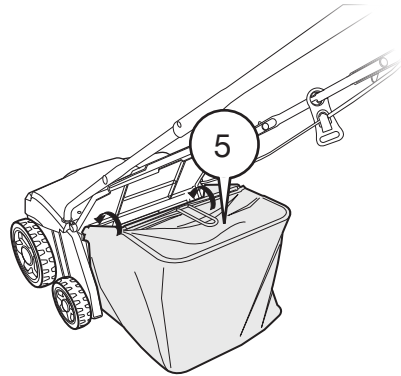
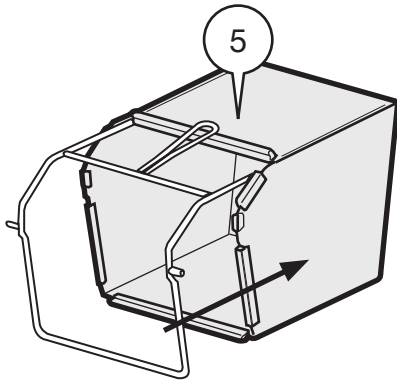
Authorised Signatory on behalf of DOMU Brands Ltd.

A handwritten signature in black ink, consisting of a stylized, cursive name, followed by a horizontal line extending to the right.





- | | | | |
|----|--------------------------------|-----|--------------------------------|
| 1. | Handle Bar. | 8. | Wheels. |
| 2. | Safety Button. | 9. | Handle Adjustment lock (2x). |
| 3. | Starting Lever. | 10. | Depth Adjustment Handle. |
| 4. | Locking Bolts (2x) | 11. | Cable Hanging Buckle |
| 5. | Debris Basket (frame and mesh) | 12. | Cable Fixing Buckle x2 |
| 6. | Rear Cover. | 13. | Rake drum |
| 7. | Lower Support Bars. | 14. | Scarifier drum (pre installed) |



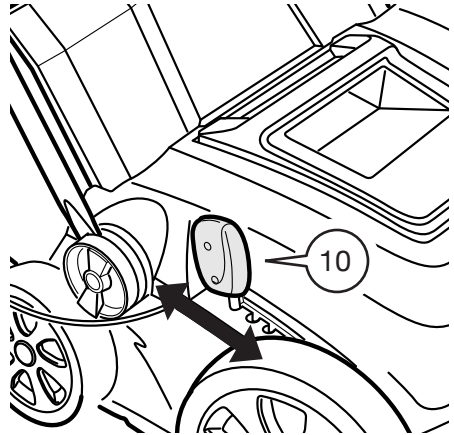


OPERATION | OPÉRATION | DIE ANWENDUNG | OPERACIÓN | FUNZIONAMENTO

Depth Lever Position		
1	-11mm	-11mm
2	-7mm	-7mm
3	-3mm	-3mm
4	3mm	3mm
5	Transport 10mm	Transport 10mm

The working depth is adjustable to 5 heights (-11, -7, -3, +3, +10mm). Shift the **Depth Adjustment Handle (10)** forwards or backwards to adjust the height.

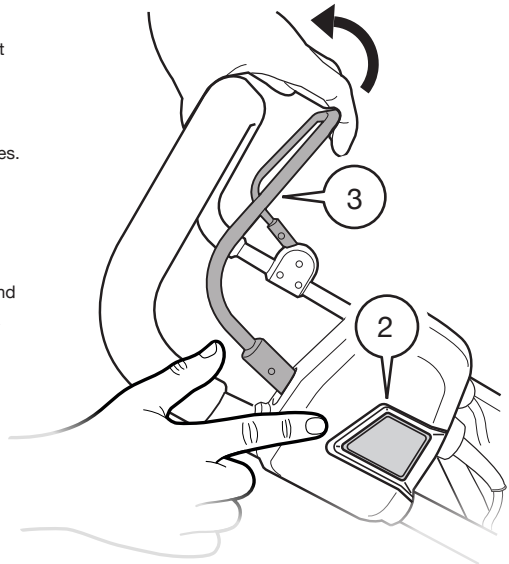
NOTE! We recommend you start with the highest position first then gradually lower. This will help you get a feel for which setting is best for your intended use



BEFORE STARTING

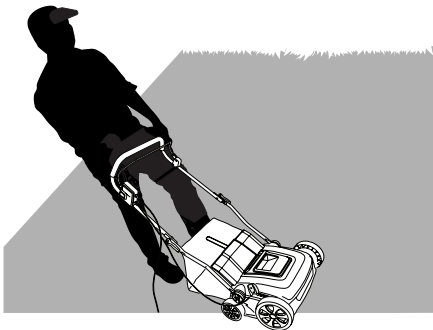
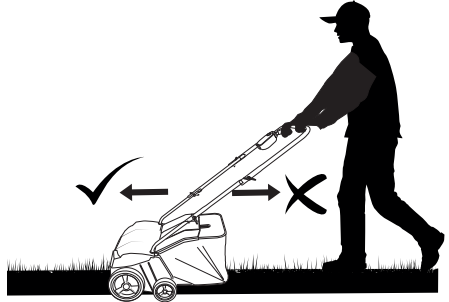
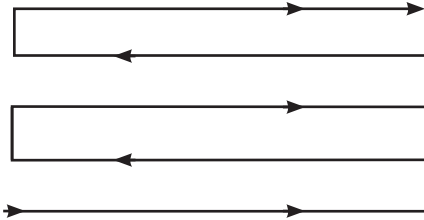
1. Check the condition of the cable, if damaged do not use.
2. Ensure that no objects or branches are trapped into the machine.
3. Ensure the work area is tidy and free of any obstacles. Remove any large debris such as stones, sticks and even small toys from your lawn/patio to prevent any accidents or damage.
4. Never operate the machine if it is damaged in any way.

Once all clear, press and hold the **Safety Button (2)** and pull the **Starting Lever (3)** to turn the unit on. Keep hold of the Starting Lever and release the Safety Button.

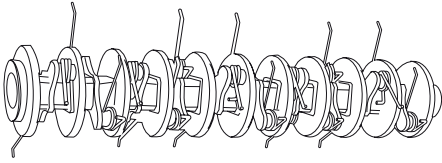


The Scarifier has an element of self-propelled motion. As the bristles rotate, they will pull the machine along. The lower the setting on the machine, the more intense the self-propulsion will be. We recommend to start off the machine always on the highest setting to familiarise the user with the operations of the machine.

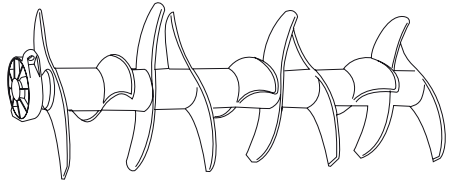
IMPORTANT! Ensure you keep a firm grip of the handle/Trigger Switch



If your lawn has an incline, we recommend working in a horizontal pattern. Due to the heavy pull of the motor, working down hill poses potential risk and injury to you or others.



Raking Tool



Scarifying Tool

RAKING TOOL is used for loosening the soil, light weeding and levelling, removing dead grass from lawns.

SPRING - RAKING & LIGHT SCARIFYING

Light de-thatching or scarifying and moss removal can be done in spring and or autumn. Spring generally means April, just as things warm up thereby increasing the growth and recovery rate but before the heat and dryness of summer slows things down. Autumn is generally late August or September as the rains start but before the cold sets in.

AUTUMN - HEAVY SCARIFYING

For heavy thatch or moss infestations requiring deeper scarifying or raking then try to stick to the autumn period. Why?

Heavy raking or scarifying is going to thin the lawn leaving soil exposed in many places. This makes an ideal seed bed not only for over seeding with new and improved grass seed but also for all the weed and weed grass seeds floating around. By confining this intensive treatment to August or September you will avoid the bulk of the years weed seeds. If you do this in spring you'll just replace moss or thatch with weeds. There are a few exceptions when spring is the best time:

- It is better to rake or scarify in spring if you were unable to do it the previous autumn perhaps due to bad weather rather than put it off.
- If the area to be scarified is shady. Shady areas will thin over winter and thicken up from spring onwards. Therefore if you scarify in autumn you'll just make things worse.
- If the area is under trees. The shade from trees plus the autumn fall of leaves will reduce grass health and vigour but in spring – late March through April - the trees are bare allowing maximum light to your lawn enabling good growth and maximum opportunity for new grass seed to get growing.

READY THE LAWN FOR SCARIFYING OR RAKING

Planning ahead is important. You need short dry grass for raking or scarifying so bring the grass height down gradually over a week or two before hand. This doesn't shock the grass whilst also allowing air deeper into the turf helping dry the grass.

If you have any weeds in your lawn then you can manually remove them but do not use any weed killer. Scarifying within a few weeks of weed killer application disrupts the weed killing process and in addition may cause seed germination issues if you are going to over seed after scarifying. Scarifying can help control some creeping weeds though.

The final part of preparation is to have good soil moisture so that the lawn recovers as quickly as possible afterwards. If there is too much (soft ground) or too little (dry hard soil) you need to either wait until the conditions improve, assist them to improve or not rake or scarify at all.

Lawnmow it as close as possible without scalping. Long grass just creates resistance to the scarifier with ultimately more rubbish to collect. Dry grass and moss makes life a lot easier as well. Plan to rake on a dry day with no dew around. The afternoons are often best. If the weather is not suitable i.e wet, keep the grass short until you get another raking opportunity.

We recommend beginning your scarifying process on height setting '1' and progressing lower as you progress through the raking and scarification process.

GENERAL OPERATION Select the suitable cutting depth for the actual grass height.

Do not work with this product on a wet lawn because it tends to stick to the under-body of the product, preventing the proper discharge of collected material, and it could also cause you to slip and fall.

Slowly push the product forward. Move the product at an appropriate speed.

Do not move too fast to prevent the discharge opening from getting blocked and the motor from overloading. Work in slight overlapping rows. The most effective pattern for scarifying/raking lawns is straight lines along one of the sides. This will keep the rows even and ensures that all the lawn is scarified/raked without missing any spots.

Circle around flower beds. When reaching a flower bed in the middle of the lawn, make a row or two around the circumference of the bed.

Pay special attention when changing direction.

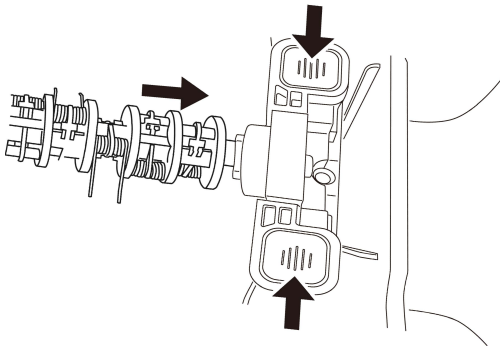
Remove any grass and mud after each use to prevent it from drying. Use a clean cloth to remove dirt and grease.

DO NOT use any water on any part of the main machine. Avoid using solvents when cleaning plastic parts. Most plastics are susceptible to damage from various types of commercial solvents and may be damaged by their use. Always ensure that ventilation openings are kept clear of debris.

Taking the drum out will make it easier to clean. Strands of material can become tangled on the cylinder.

DO NOT store the machine near an ignition source, such as a wood stove, gas or electric heater, or an appliance or heater with a pilot light.

DO NOT stack other items on top of the machine when in storage.



Press on both **buttons** to remove the drum. Press the drum into place to secure.

Keep the machine stored in a dry, level area away from damp, moisture and rain fall.

Allow the machine to cool down before storing.

Make sure the machine is clean and dry before storing. Make sure the machine is stored away from direct sunlight.

Store indoors or in a safe, locked protected area during severe weather and winter months.

Ensure the machine is stored in a position, where any persons cannot step on to attempt to reach items up high, due to risk of movement.

Store the machine out of reach of children or anyone who is not familiar with operation.

THANK YOU

Thank you for purchasing your product/appliance.
Should you require further assistance with your purchase, you can contact us at

support@vonhaus.com

Vonhaus is a registered trademark of DOMU Brands Ltd.
Made in China for DOMU Brands.

Unit 30, Stakehill Industrial Estate, Middleton,
Manchester M24 2RW.

Authorised Representative: Authorised Representative
Service, 77 Camden Street Lower, Dublin, D02 XE80,
Ireland.