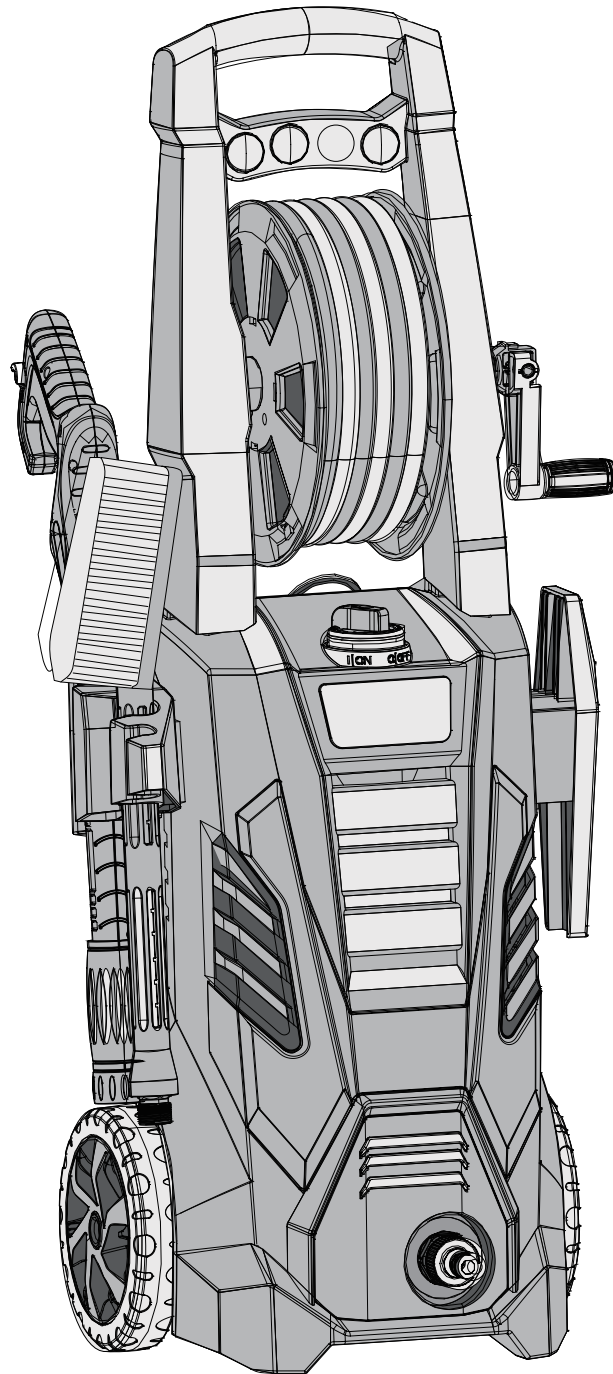


vonhaus

# PRESSURE WASHER



## Setup Instructions

Product No. 3519013

**Need further help?**  
[support@vonhaus.com](mailto:support@vonhaus.com)

**Besoin d'aide supplémentaire ?**  
[support@vonhaus.com](mailto:support@vonhaus.com)

**Benötigen Sie weitere Hilfe?**  
[support@vonhaus.com](mailto:support@vonhaus.com)

**Necesita más ayuda?**  
[support@vonhaus.com](mailto:support@vonhaus.com)

**Hai bisogno di ulteriore assistenza?**  
[support@vonhaus.com](mailto:support@vonhaus.com)

**See our full range at**  
[www.vonhaus.com](http://www.vonhaus.com)

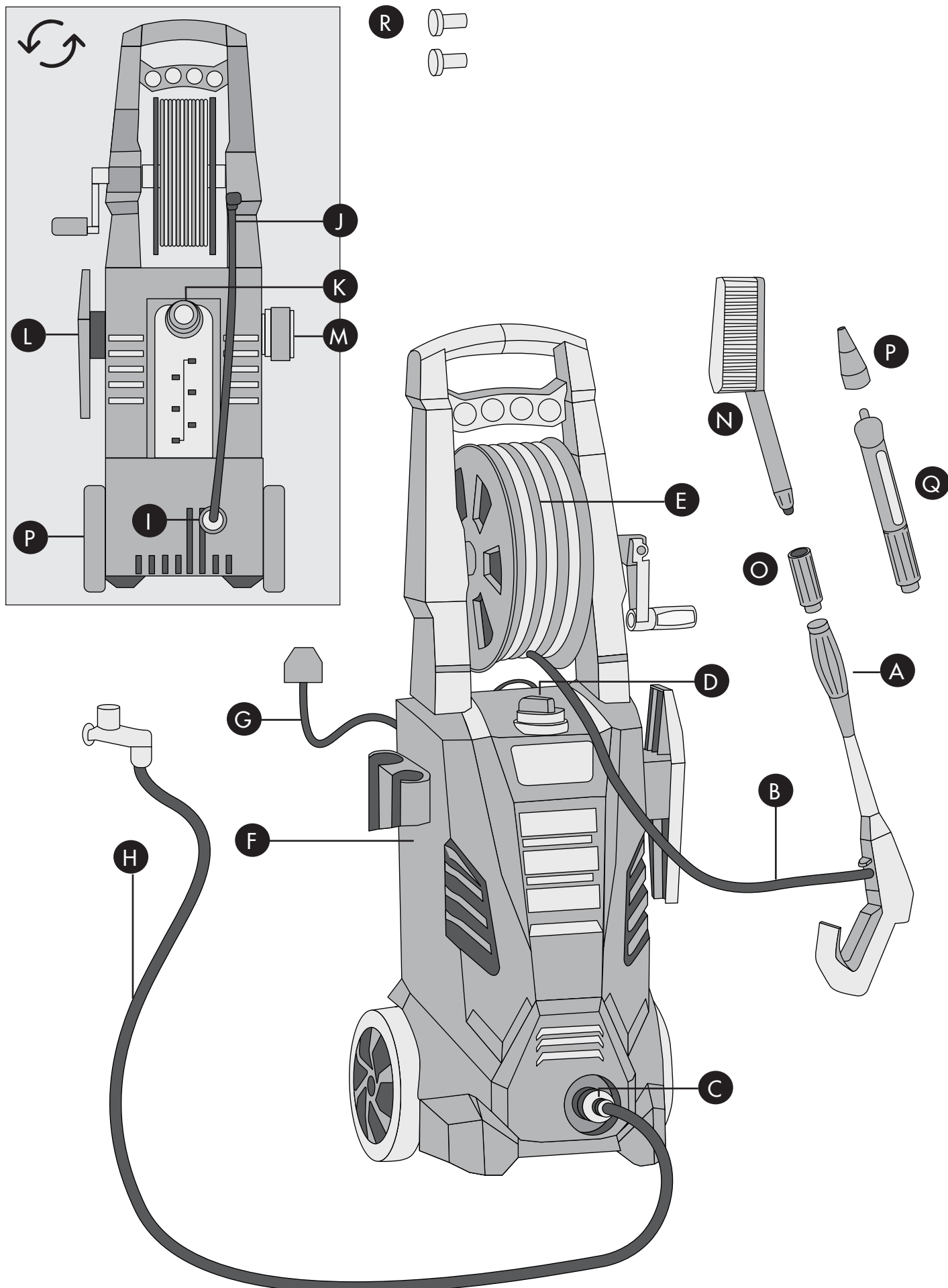
**Découvrez notre gamme complète sur**  
[www.vonhaus.com](http://www.vonhaus.com)

**Entdecken Sie unser gesamtes  
Sortiment auf**  
[www.vonhaus.com](http://www.vonhaus.com)

**Descubra toda nuestra gama en**  
[www.vonhaus.com](http://www.vonhaus.com)

**Scopri tutta la nostra gamma su**  
[www.vonhaus.com](http://www.vonhaus.com)

# Parts & Components



# Parts & Components

---

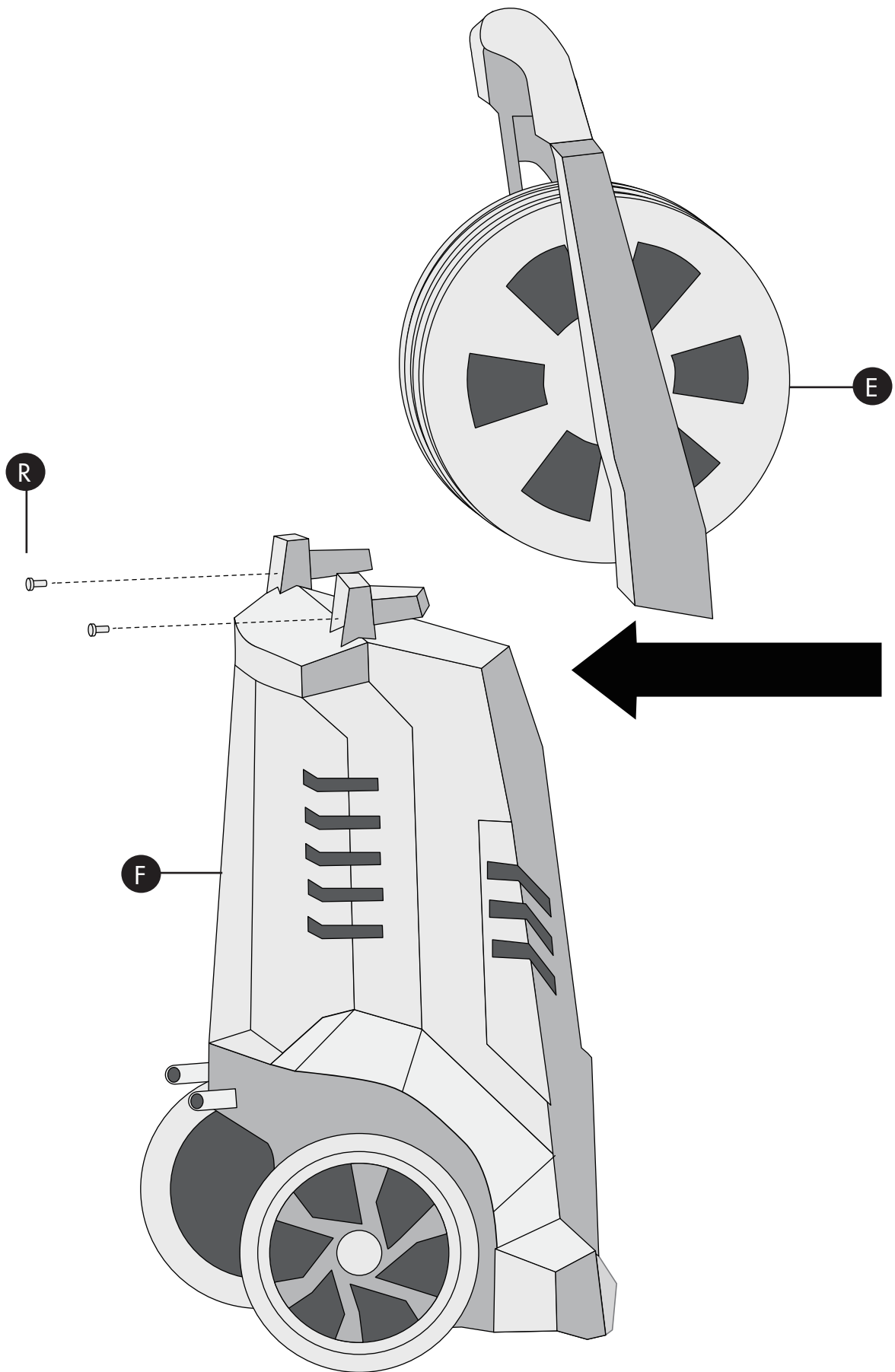
- A. High Pressure Gun
- B. High Pressure Hose
- C. Water Inlet Filter & Connector
- D. Main Switch
- E. Hose Reel
- F. Machine Body
- G. Cable
- H. Inlet Water Hose (not included)
- I. Water Outlet Connector
- J. Short High Pressure Hose
- K. Detergent Bottle
- L. Cable Holder
- M. Gun Holder
- N. Brush
- O. Brush Connector
- P. Adjustable Nozzle
- Q. Lance
- R. Screws

Note: Inlet Water Hose (Part H) is for illustration only, not included with the product.

# Assembly

---

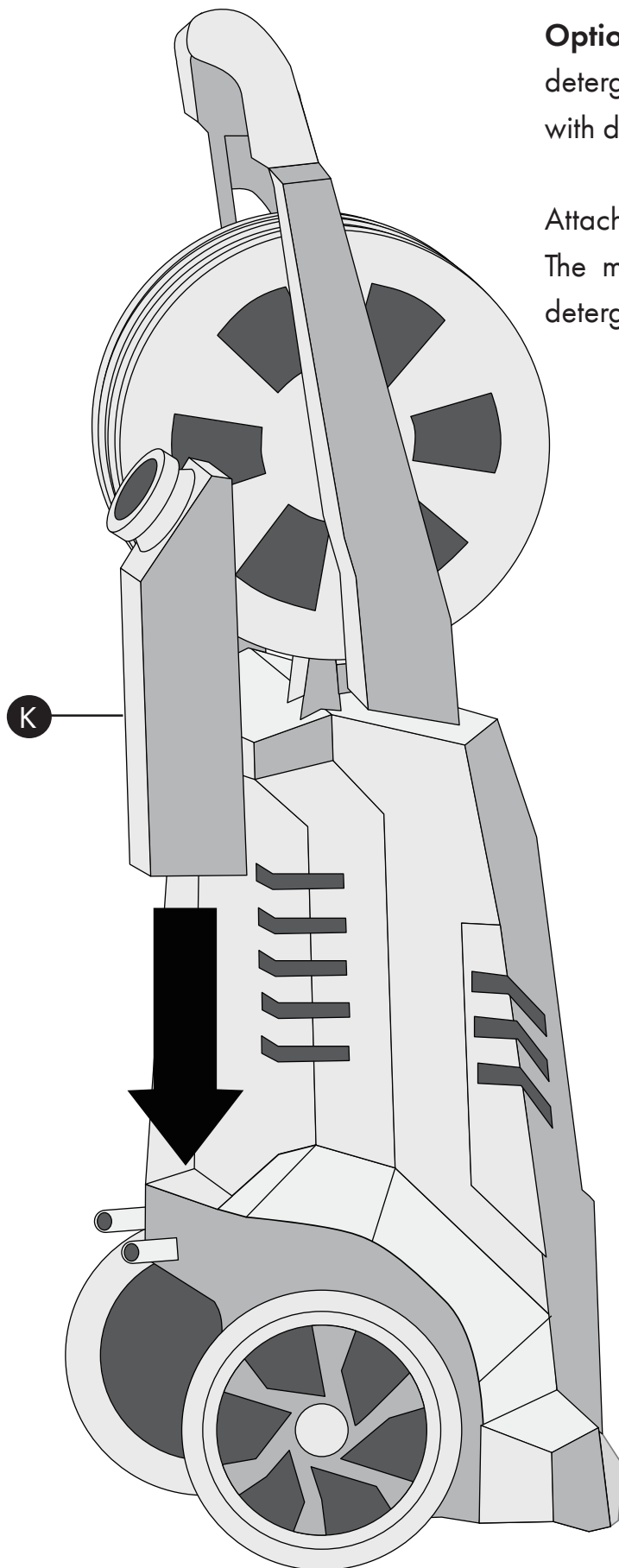
**1**



# Assembly

---

2

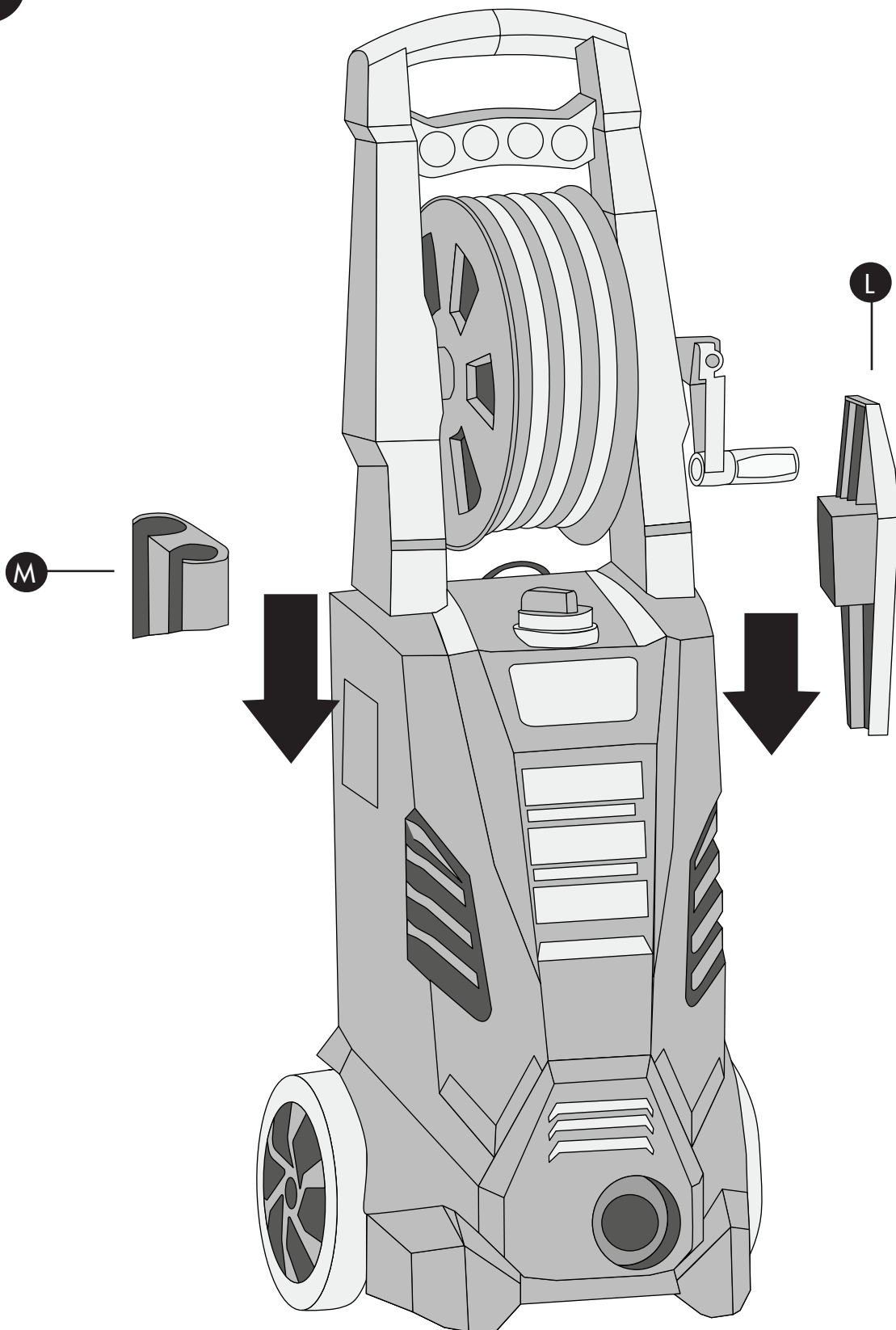


**Optional:** If you want to use detergent, fill the detergent bottle with detergent.

Attach the bottle to the machine. The machine will now mix the detergent into the spray.

# Assembly

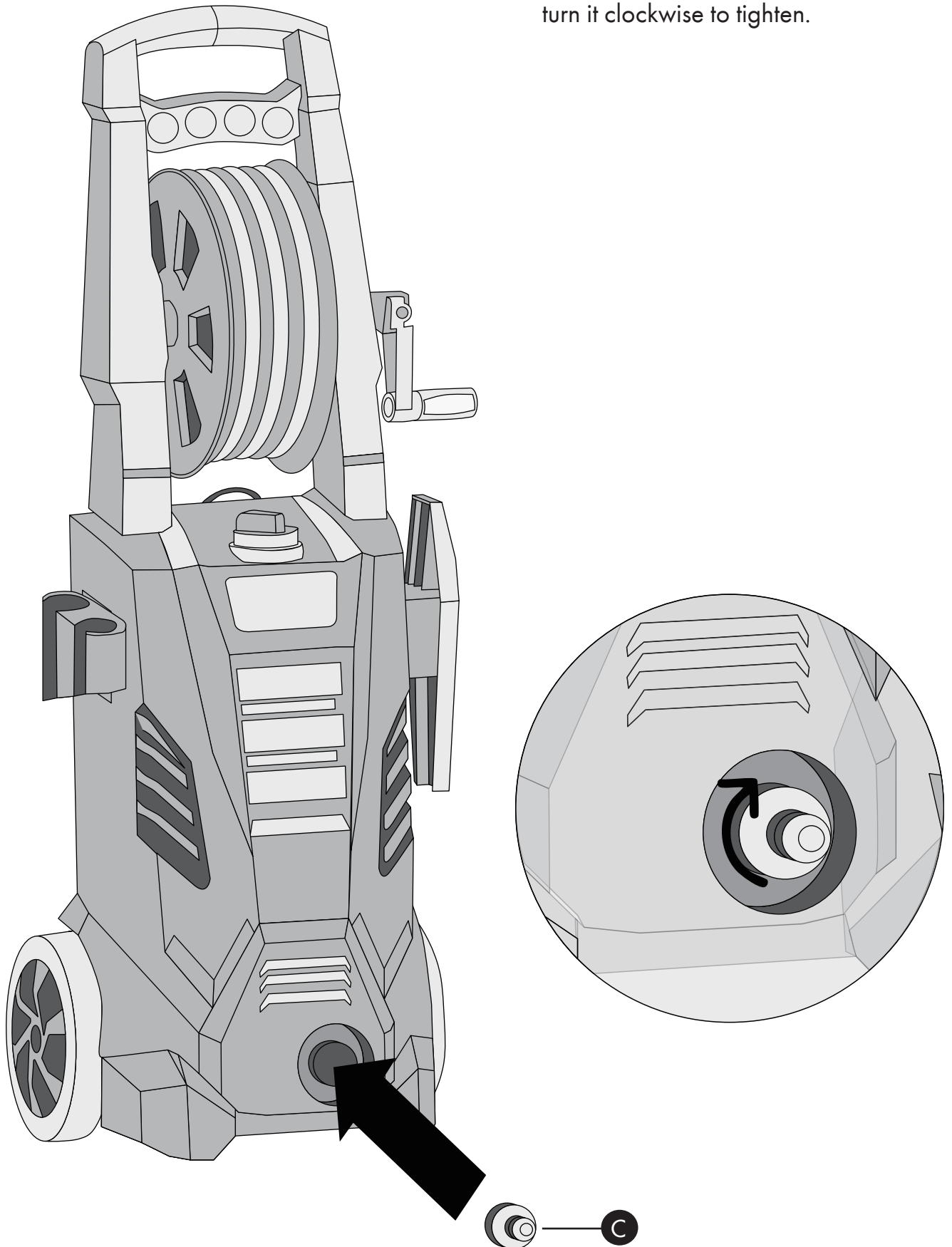
3



# Assembly

4

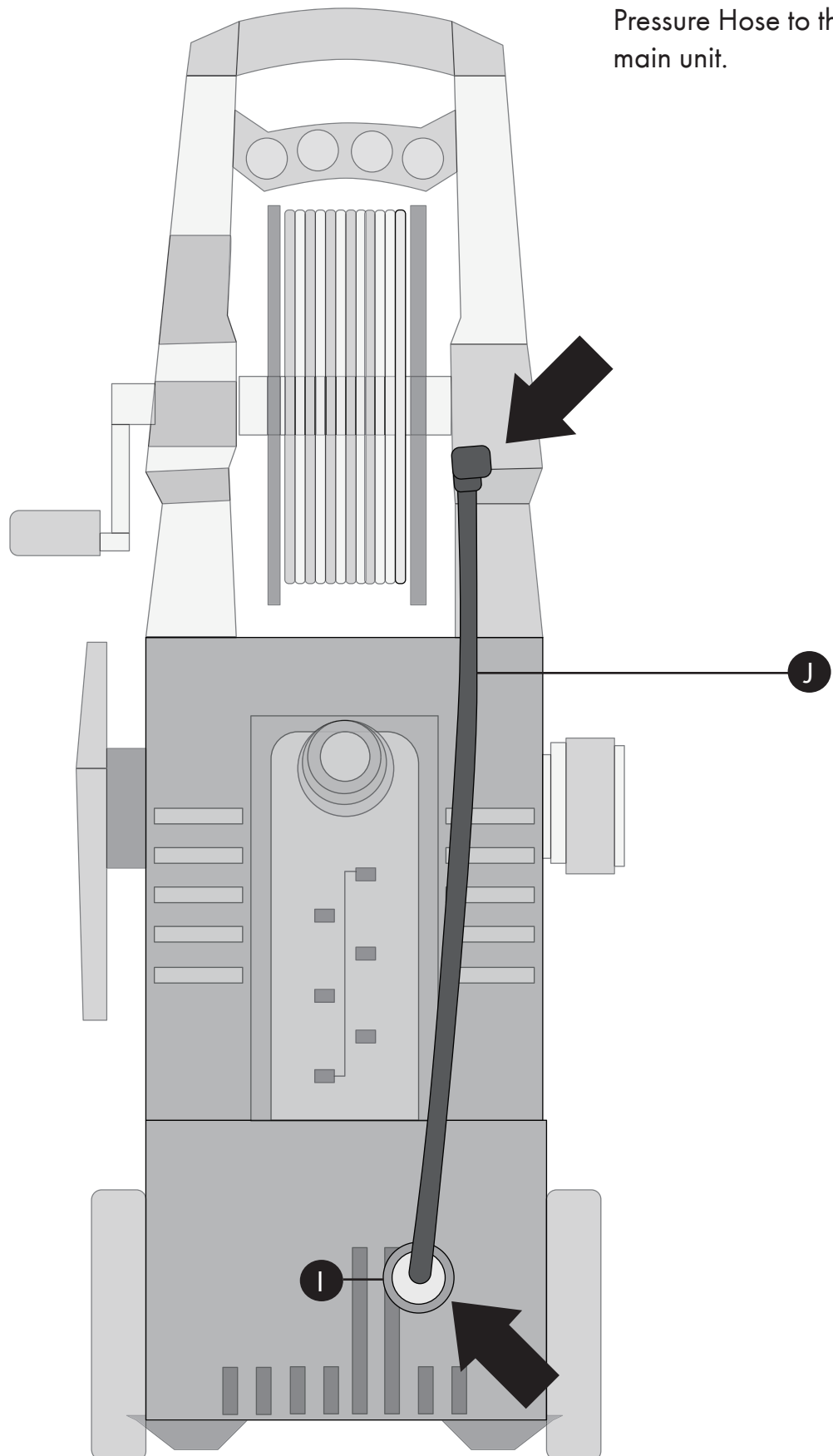
Connect the water inlet connector and turn it clockwise to tighten.



# Assembly

5

Attach the Short High Pressure Hose to the main unit.

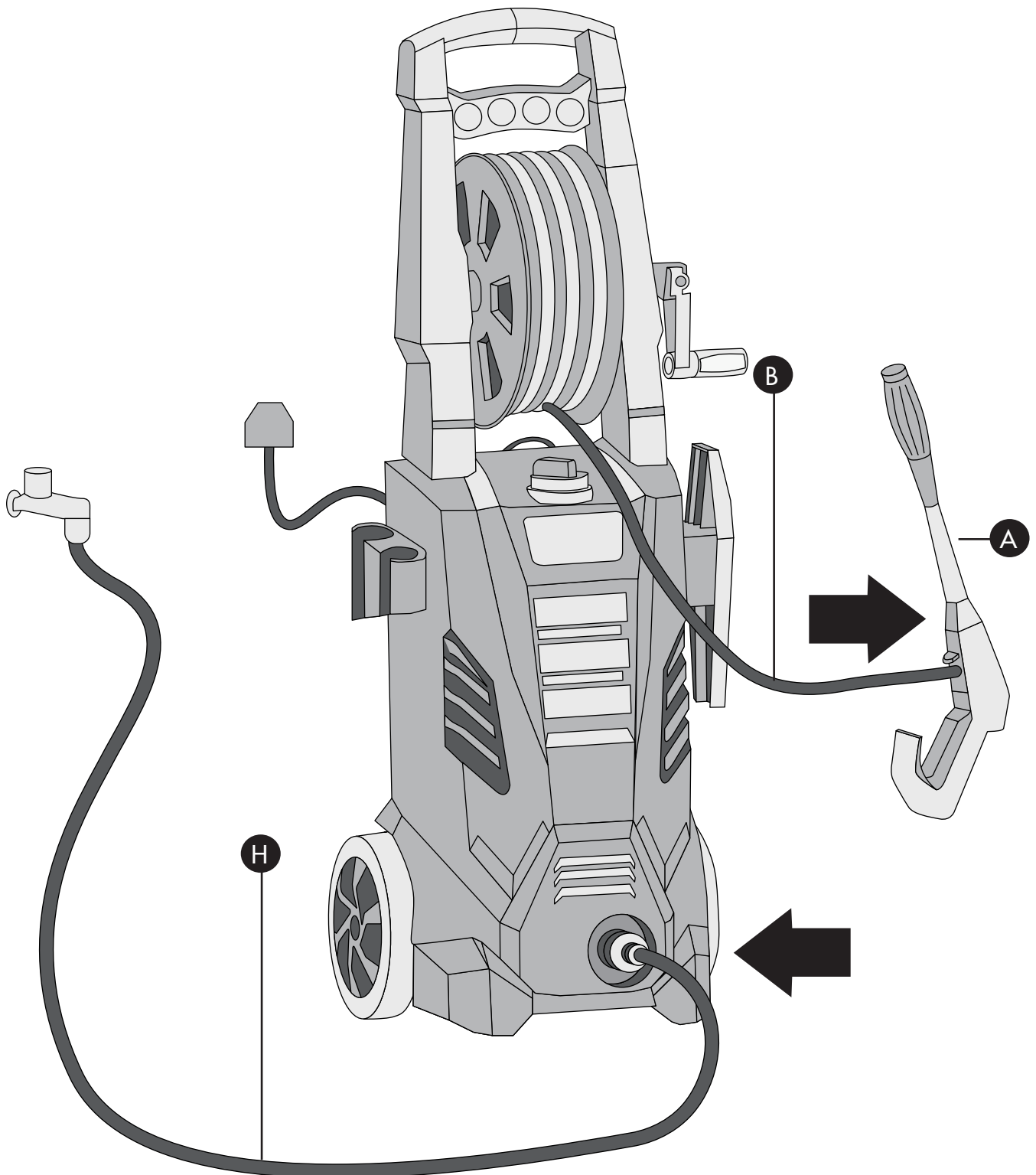


# Assembly

5



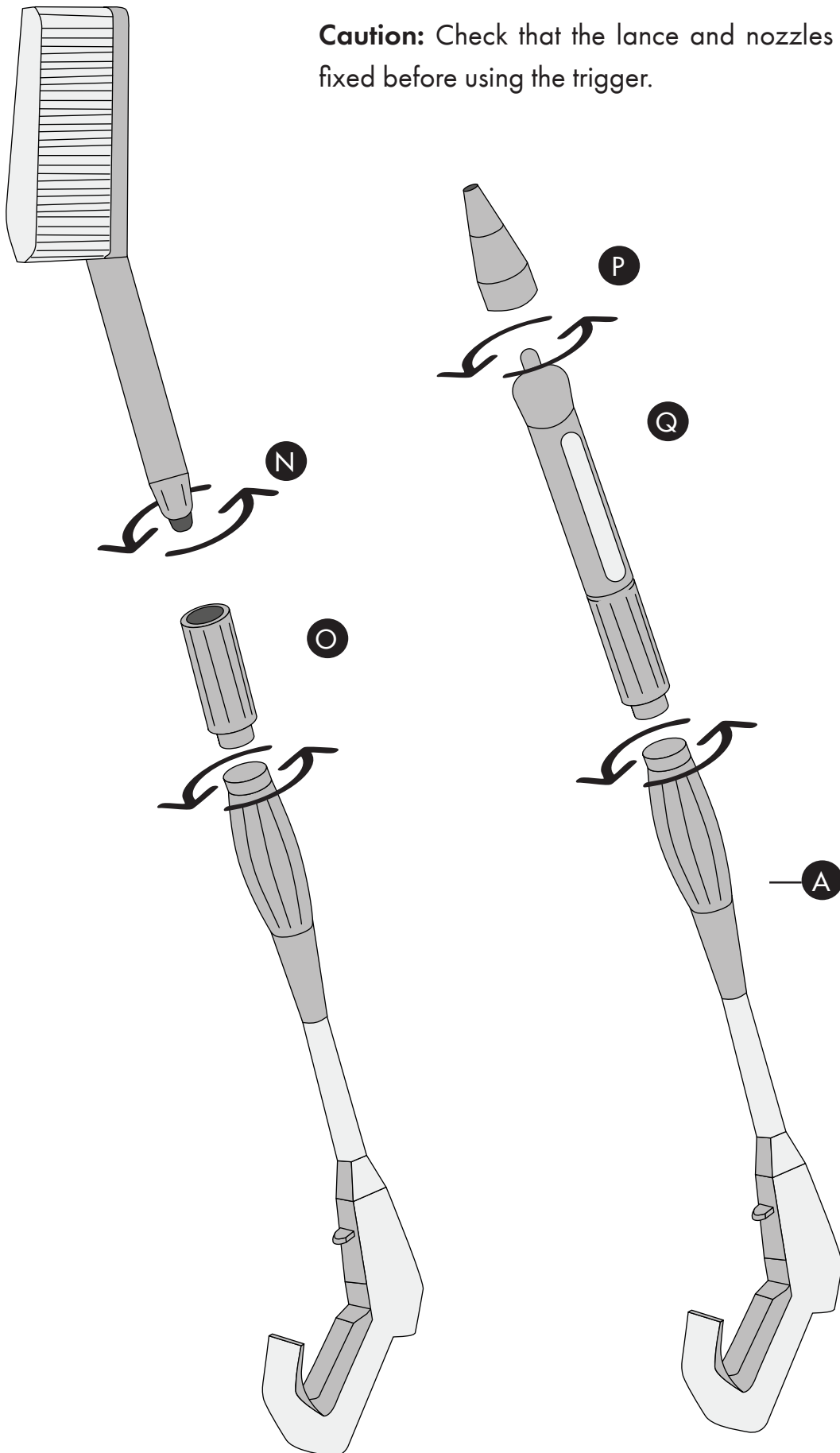
**WARNING:** Attach water inlet coupling tightly. Always use inlet filter to prevent debris from damaging pump valves.



# Assembly

6

**Caution:** Check that the lance and nozzles are securely fixed before using the trigger.



# Operation

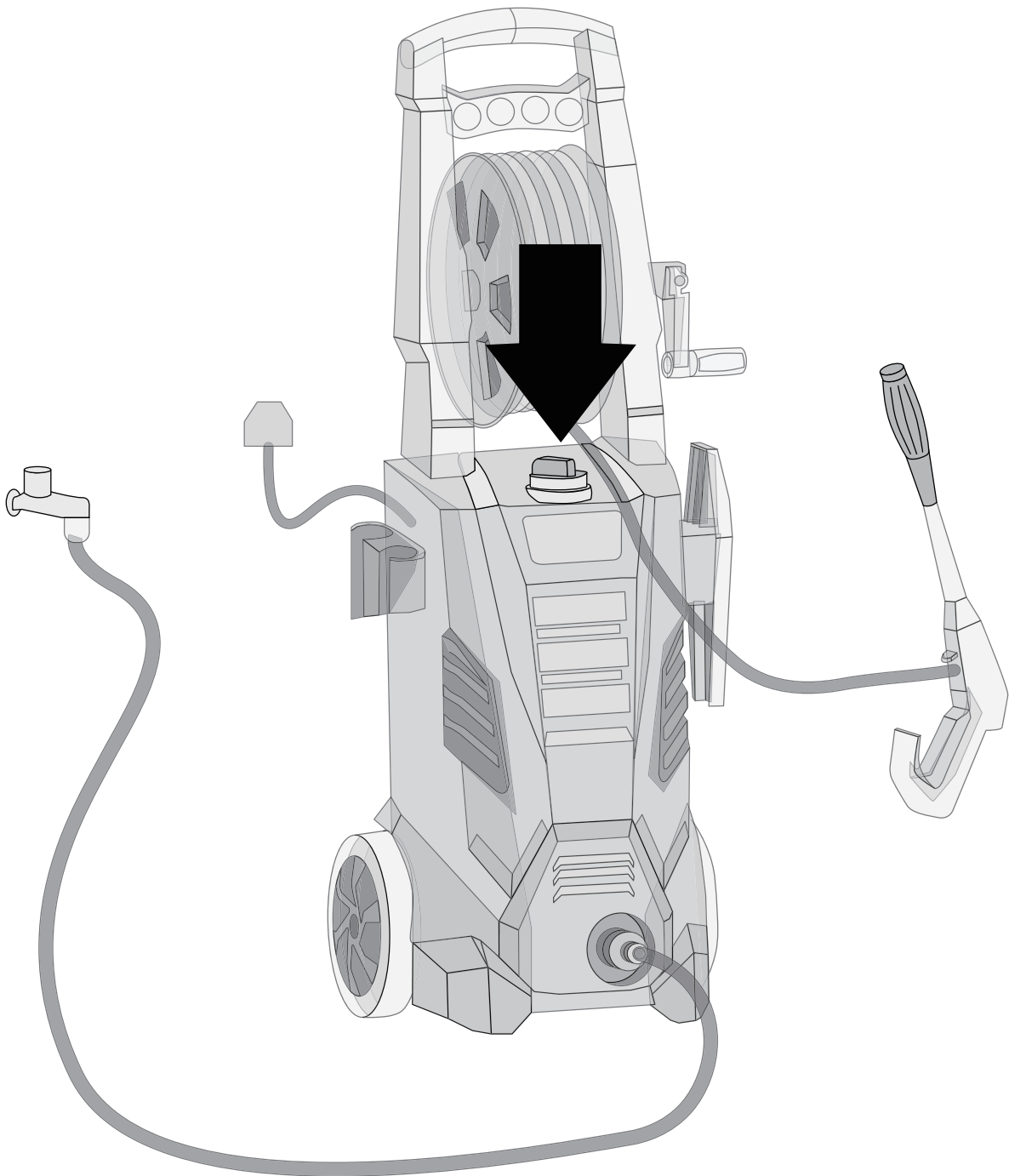
---

**1**

**Setup:** Connect the pressure washer to a water supply and ensure all connections are secure.

**Power On:** Plug in the pressure washer and turn it on

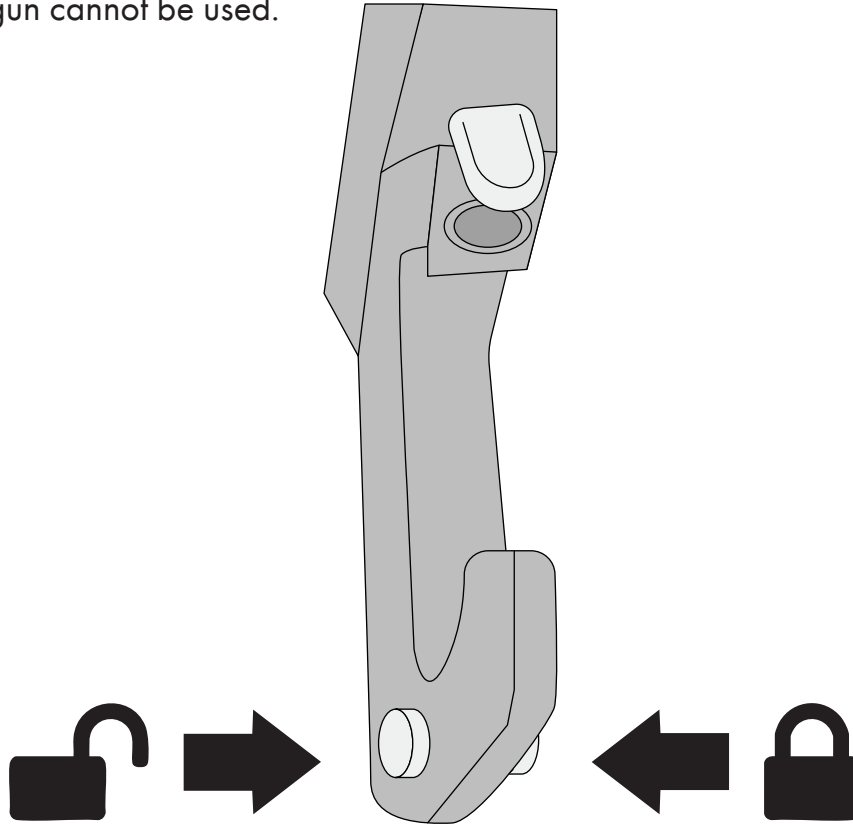
**Adjust Settings:** Set the pressure to the appropriate level for the task. Start with a lower pressure and increase as needed.



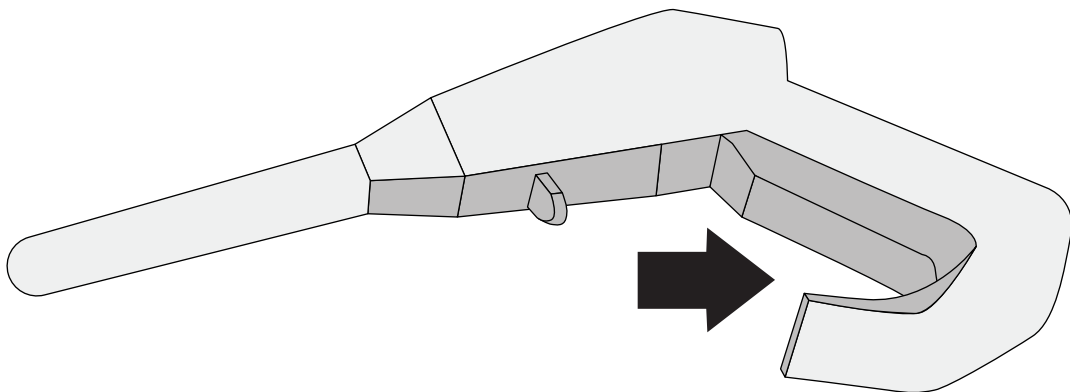
# Operation

---

- 2** The trigger gun has a locking device. When the knob is turned on, the trigger gun cannot be used.



- 3** After turning off the lock, use the trigger to spray the water. **ALWAYS** point the gun at the ground first.

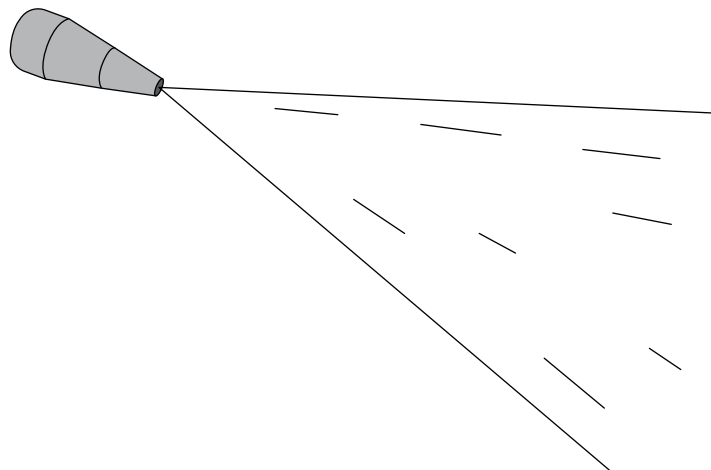
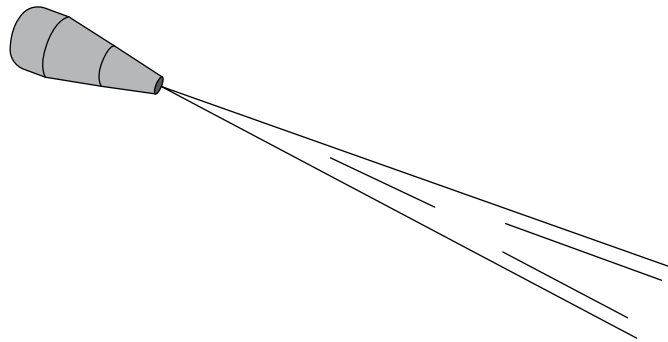
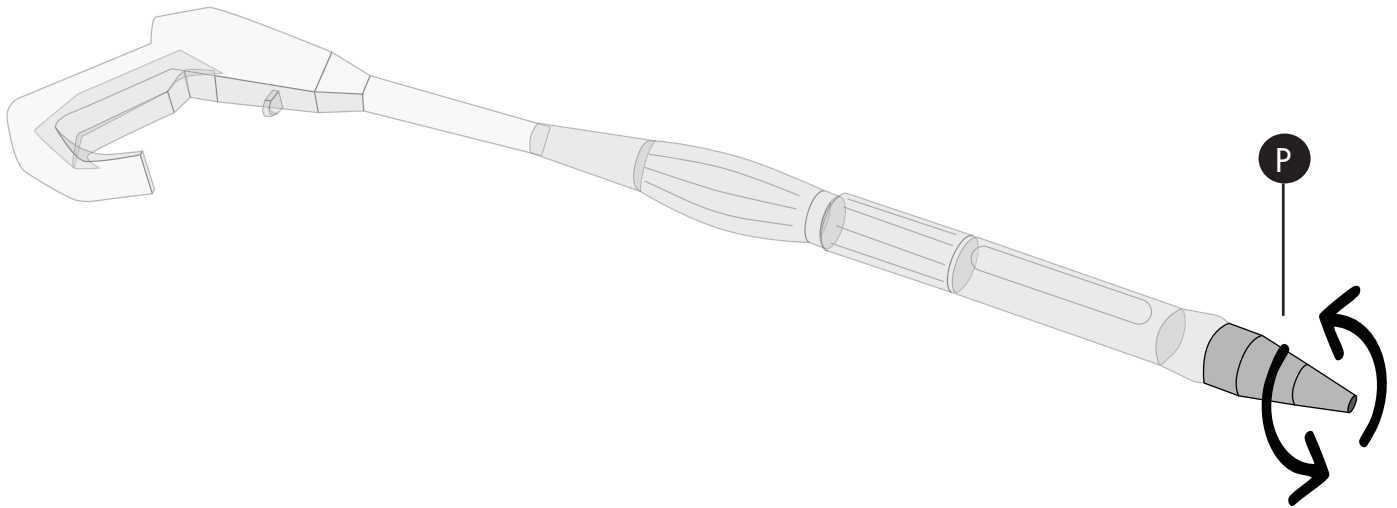


# Adjustable Nozzle

---

The adjustable nozzle lets you choose different spray patterns, from a full fan spray to a direct stream spray.

When using the pressure washer to clean wood decks, siding, vehicles, and more, always start with the fan spray and maintain a distance of at least 36 inches to avoid damaging the surface.



# Information

---

## General Safety

This appliance is for private outdoor use only. Keep away from heat, sunlight, moisture, rain, ice, and sharp edges.

**Important:** Before turning on the machine, always run water through it for a few seconds to prevent damage. Never operate the machine while it is dry.

### Warnings:

- Only trained individuals should operate the machine after reading the manual.
  - High-pressure washers are not for use by children or untrained persons.
  - Inspect for defects before use. If found, contact your distributor.
  - Ensure electrical cable insulation is perfect. If damaged, have it replaced by an approved service center.
  - High-pressure jets can be dangerous if misused. Do not direct towards people, electrical equipment, or the appliance itself.
  - Do not use near others unless they wear protective clothing.
  - Do not clean clothing or shoes on yourself or others with the jet.
  - Hold the lance firmly with both hands.
  - Wear protective gloves and clothing during use.
  - Disconnect from power before maintenance.
  - Use only manufacturer-approved spare parts.
  - Do not use with damaged cables or important parts.
  - Do not use with wet hands or in water.
  - Do not use in explosive environments or on asbestos-containing surfaces.
  - Do not use in temperatures below 0°C.
- Use only manufacturer-recommended hoses, accessories, and couplings.
  - Ensure extension cables are adequate and fully unwound.
  - If the power cable is damaged, have it replaced by a qualified professional.
  - This appliance is not for use by persons with reduced physical, sensory, or mental capacities, or lack of experience.
  - Supervise children to prevent them from playing with the appliance.
  - Do not spray flammable liquids.
  - Water from the anti-back flow system is not drinkable.
  - Use two hands to control the lance due to recoil.
  - In case of contact with detergent, wash with water. Seek medical help for eye contact.

For repairs, contact a professional technician.

## Connecting to the Water Network

### Warnings:

- Current guidelines require a system separator on the potable water system when operating this unit.
- Use an EN 12729 type BA system separator.
- Water passing through a system separator is non-potable.
- Always connect the system separator to the water supply, never directly to the device.

# Information

---

## Storage

Store machine in frost-free conditions. Before storing:

- Stop machine (press start/stop switch "O")
- Detach water hose, pressure hose and nozzle
- Restart machine and activate trigger until water stops flowing
- Stop machine and unplug
- Wind up hose and cable
- Store accessories in machine holders
- Use hook for hose and cord storage
- Please note if the water pressure from your tap is low, then this will affect performance of the machine

Warning: Never start a frozen machine. Frost damage voids warranty.

## Maintenance

Always unplug before maintenance or cleaning.

### For long-term reliability:

- Clean all components before assembly
- Remove dust and sand from connectors
- Rinse detergent attachments after use
- Clean nozzles regularly
- Have repairs done by authorized workshops using original parts
- Clean water inlet filter monthly
- Keep machine clean for proper ventilation
- Grease couplings regularly

### Important:

- Water inlet filter must be installed to protect pump valves
- Failure to use filter voids warranty

- Recycle old appliances through proper collection systems

## Troubleshooting

### Q: Why won't my machine start?

A: Check if it's plugged in, try another outlet, replace fuse, or unplug other appliances.

### Q: What causes fluctuating pressure?

A: It could be air in the pump, dirty valves, low water supply, or worn seals.

### Q: Why does my machine suddenly stop?

A: The fuse might be blown, voltage incorrect, or it may be overheated.

### Q: Why does my fuse keep blowing?

A: The fuse may be too small or there's high amperage; try a higher-rated fuse.

### Q: What causes the machine to pulse?

A: Check for air in the hose, low water pressure, a blocked jet, or a folded hose.

### Q: Why does my machine turn on and off by itself?

A: The pump or trigger may be faulty; contact a service center.

### Q: Why isn't water coming out when the machine is on?

A: The water filter or jet may be blocked; clean them both.

# Information

---

## Cleaning Tips

### Wood and Vinyl Decks

Rinse deck and surrounding area with fresh water. If using detergent, fill the detergent reservoir and apply to the area being cleaned at low pressure.

For optimal results, reduce your work area to smaller sections and clean each section one at a time. Allow the detergent to rest on the surface for a few minutes and then rinse at high pressure.

**NOTE:** Do not let the cleanser dry.

Always clean from left to right and top to bottom for best results. Rinse at high pressure using the fan spray keeping the tip of the spray nozzle at least 6-9 inches from the cleaning surface.

Maintain a further distance from the cleaning area when using a direct spray. Caution: For softer woods, increase the distance from the cleaning area.

### Cars, Boats, and Motorcycles

Rinse cleaning and surrounding area with fresh water. If using detergent, fill the detergent reservoir and apply to the area being cleaned at low pressure.

To achieve the best results, clean one side at a time. Allow the detergent to rest on the surface for a few minutes, but do not let the detergent dry.

Rinse at high pressure using the fan spray in a sweeping motion keeping the tip of the spray

nozzle at least 8 inches from the cleaning surface.

Maintain a further distance from the cleaning area when using a direct spray. Wipe surface dry for a polished finish.

### Barbecue Grills, Power Equipment, and Garden Tools

Rinse cleaning and surrounding area with fresh water. If using detergent, fill the detergent reservoir and apply to the area being cleaned at low pressure.

Allow the detergent to rest on the surface for a few minutes, but do not let the detergent dry. Rinse at high pressure using the fan spray keeping the tip of the spray nozzle at least 1-3 inches from the cleaning surface. Maintain a further distance from the cleaning area when using a direct spray.

### Bleeding the Lance

It is very important to bleed the lance before using the Pressure Washer.

To bleed the lance, simply connect the garden hose to the Pressure Washer and squeeze the trigger BEFORE turning the electrical supply on.

This allows any air trapped inside the Pressure Washer and lance to be removed before using the unit.

Continue holding trigger for approximately one minute to allow any excess air out of the unit. Water will flow through the lance at low pressure during this procedure.

# Information

---

## Shutting Down the Cleaner

Turn the Pressure Washer off.

Turn off the water supply.

Before disconnecting high-pressure hose connection, point the lance in a safe direction and press the trigger to release the excess water.

Disconnect the high-Pressure Washer and lance.

Disconnect the garden hose from the Pressure Washer.

Remove excess water from the pump by tipping the unit on both sides to drain any remaining water from the inlet and outlet fittings.

Remove water intake filter and flush with water to remove dirt and debris, return filter once cleaned.

Empty and clean the detergent reservoir. Wipe away any remaining water on any parts or components.

Ensure the safety lock is on.

Store the Pressure washer and accessories in an area with temperatures above (0°) 32°F

## Technical Specifications

- Rated pressure: 110 bar
- Maximum pressure: 165 bar
- Min water flow 5.8L/min
- Max water flow 6.8L/min
- Power: 2,200W
- Voltage: 240V 50/60Hz
- Gun vibration: 2.25 m/s<sup>2</sup> max

# Legal

---

## DISPOSAL INFORMATION

Please recycle where facilities exist. Check with your local authority for recycling advice.

## CUSTOMER SERVICE

If you are having difficulty using this product and require support, please contact [support@vonhaus.com](mailto:support@vonhaus.com)

## WARRANTY

To register your product and find out if you qualify for a free extended warranty please go to [www.vonhaus.com/warranty](http://www.vonhaus.com/warranty).

Please retain a proof of purchase receipt or statement as proof of the purchase date.

The warranty only applies if the product is used solely in the manner indicated in the warnings page of this manual, and all other instructions have been followed accurately.

Any abuse of the product or the manner in which it is used will invalidate the warranty.

## RETURNS

Returned goods will not be accepted unless re-packaged in its original packaging and accompanied by a relevant and completed returns form. This does not affect your statutory rights.

No rights are given under this warranty to a person acquiring the appliance second-hand or for commercial or communal use.

## COPYRIGHT

All material in this instruction manual are copyrighted by DOMU Brands.

Any unauthorised use may violate worldwide copyright, trademark, and other laws.

## THANK YOU

Thank you for purchasing your product/appliance.

Should you require assistance with your purchase, please contact us at [support@domu.co.uk](mailto:support@domu.co.uk)

VonHaus is a registered trademark of DOMU Brands Ltd.

Made in China for DOMU Brands.

Unit 30, Stakehill Industrial Estate,  
Middleton, Manchester, M24 2RW

## EU AUTHORISED REPRESENTATIVE

Authorised Representative Service  
77 Camden Street Lower  
Dublin, D02 XE80, Ireland



Product No. 3519013